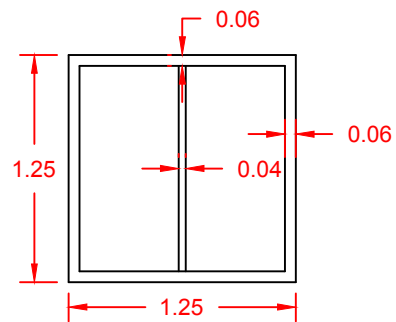


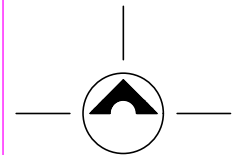
side view



Plan view

NOTE

NORTH



TO BE ADJUSTED  
ON SITE

PROJECT TITLE:  
STEEL STANDS

TECHNICAL DETAILS:  
STEEL STAND 6CM\*6CM  
(150\*125\*125)

ENGINEER  
MOHAMAD KANSO

DATE  
17/09/2021

DRAWING  
DETAILED VIEW

A 01

