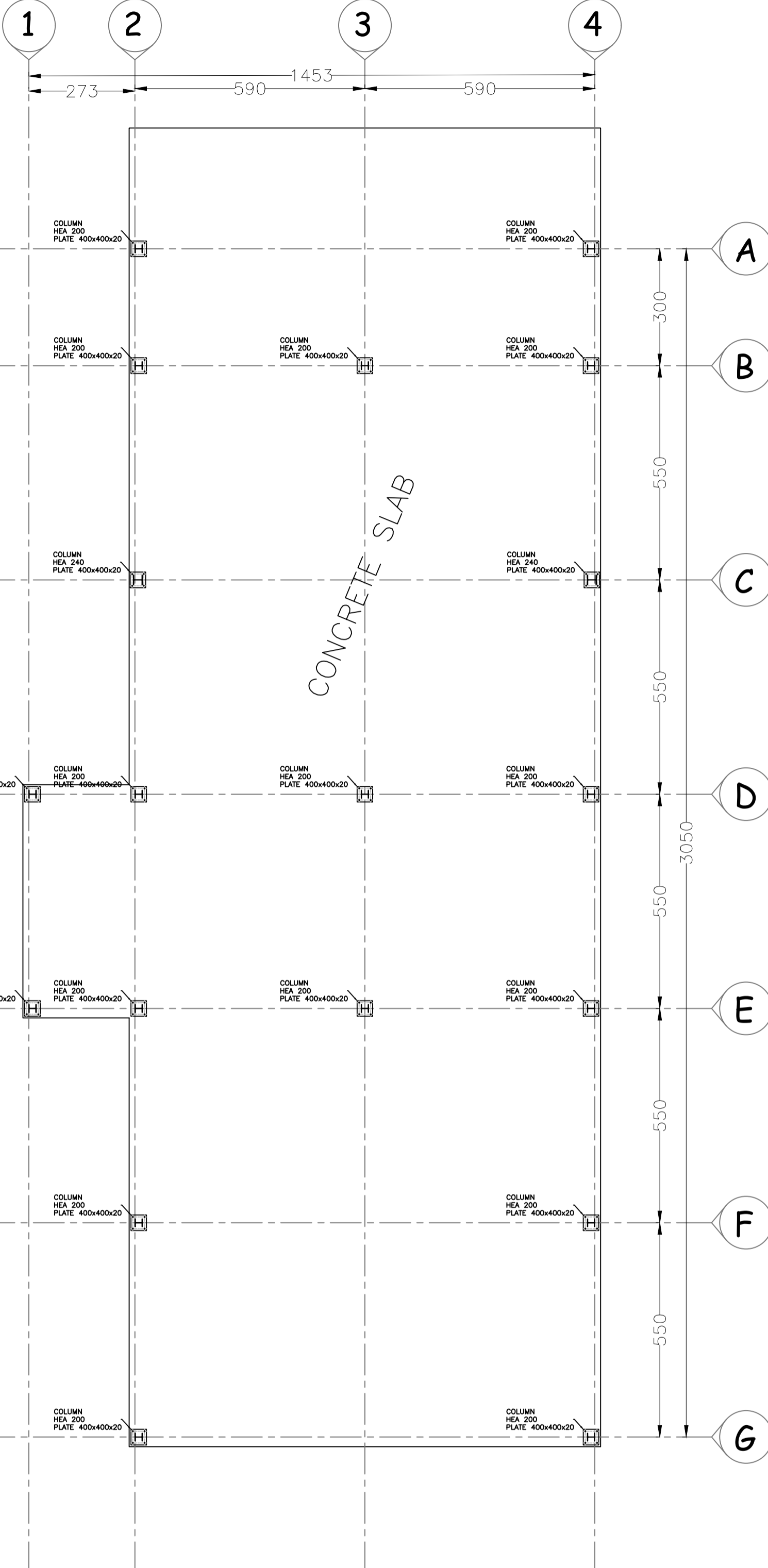
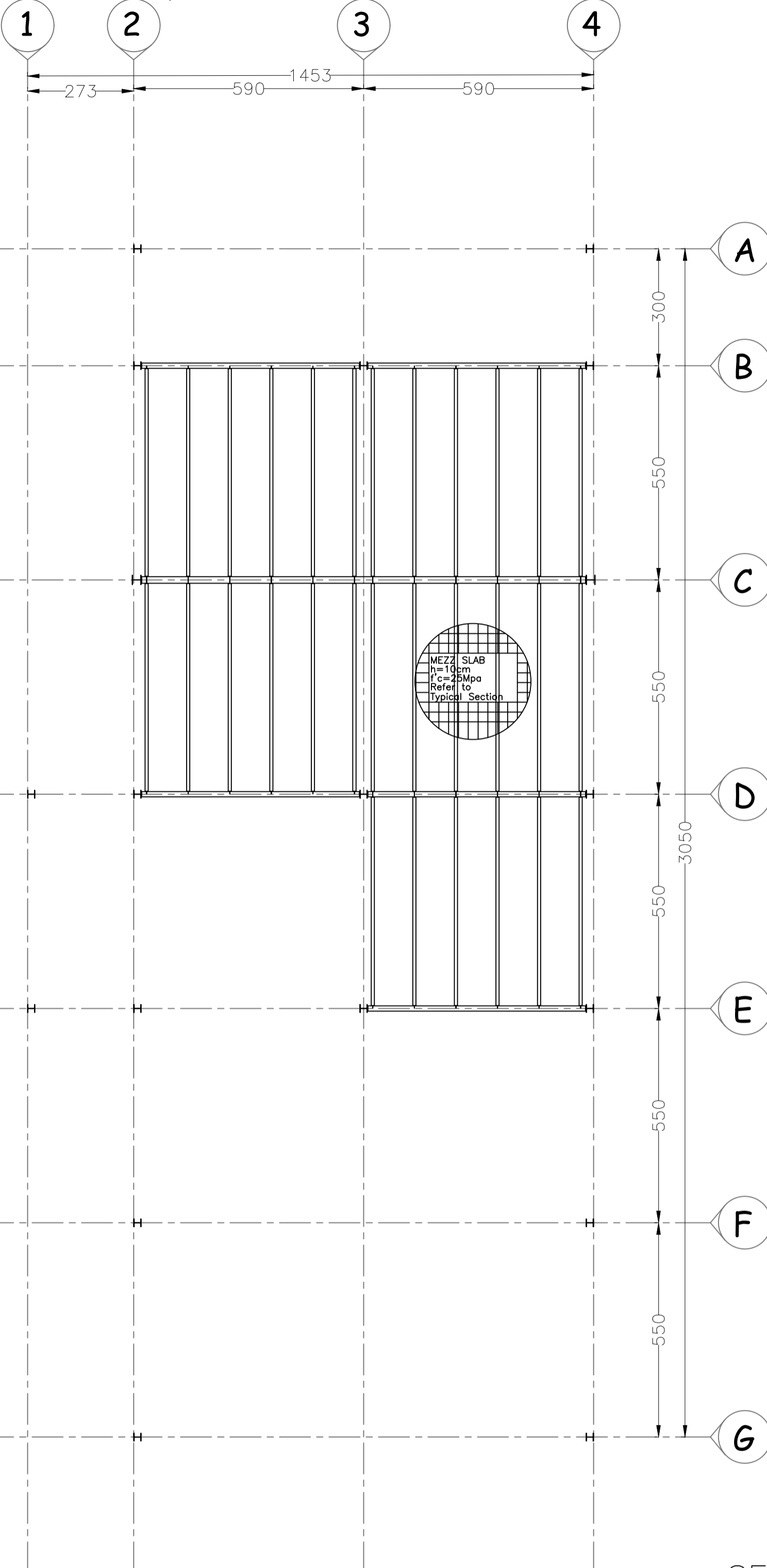


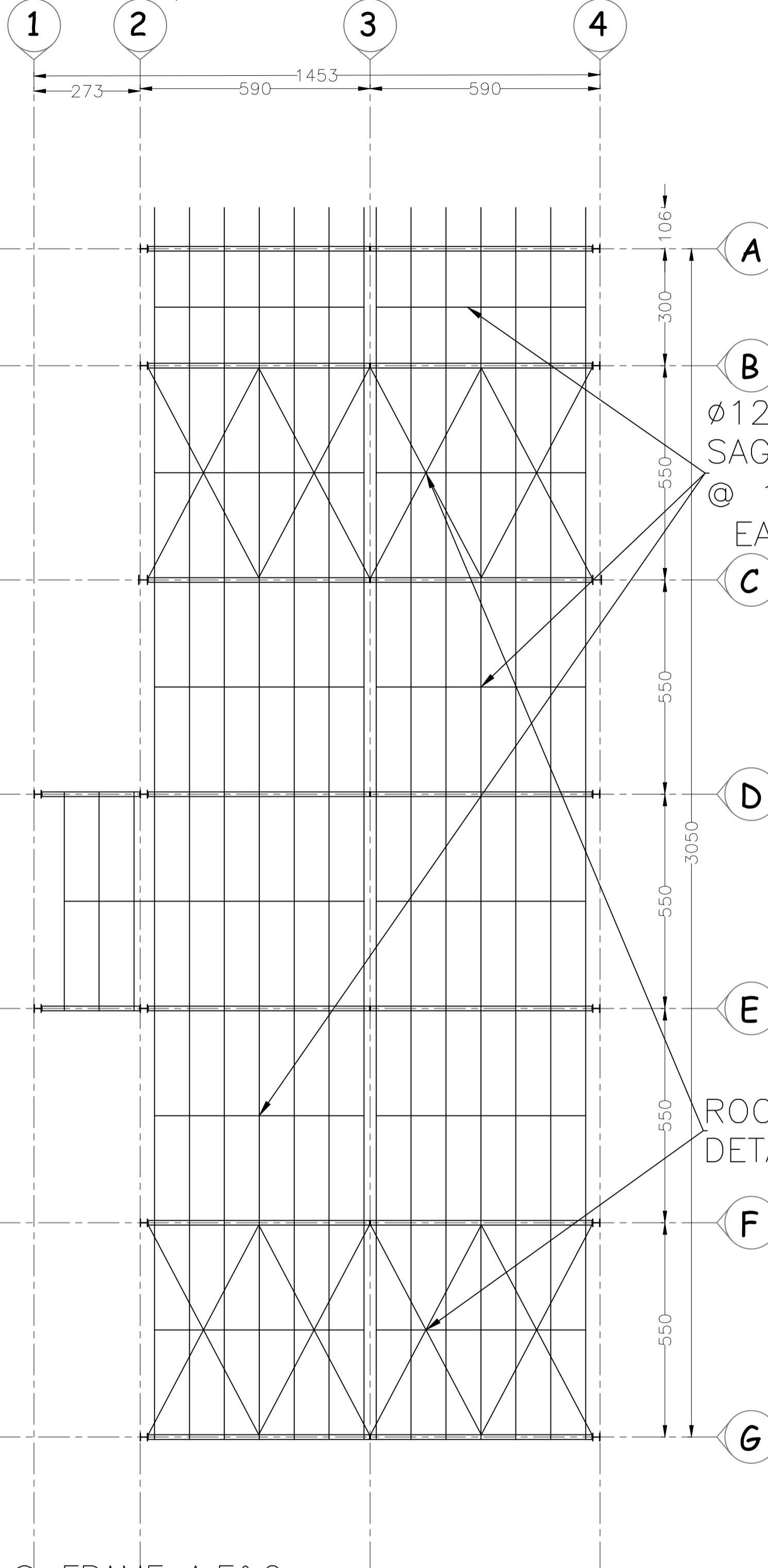
AXIS PLAN
SCALE: 1/100



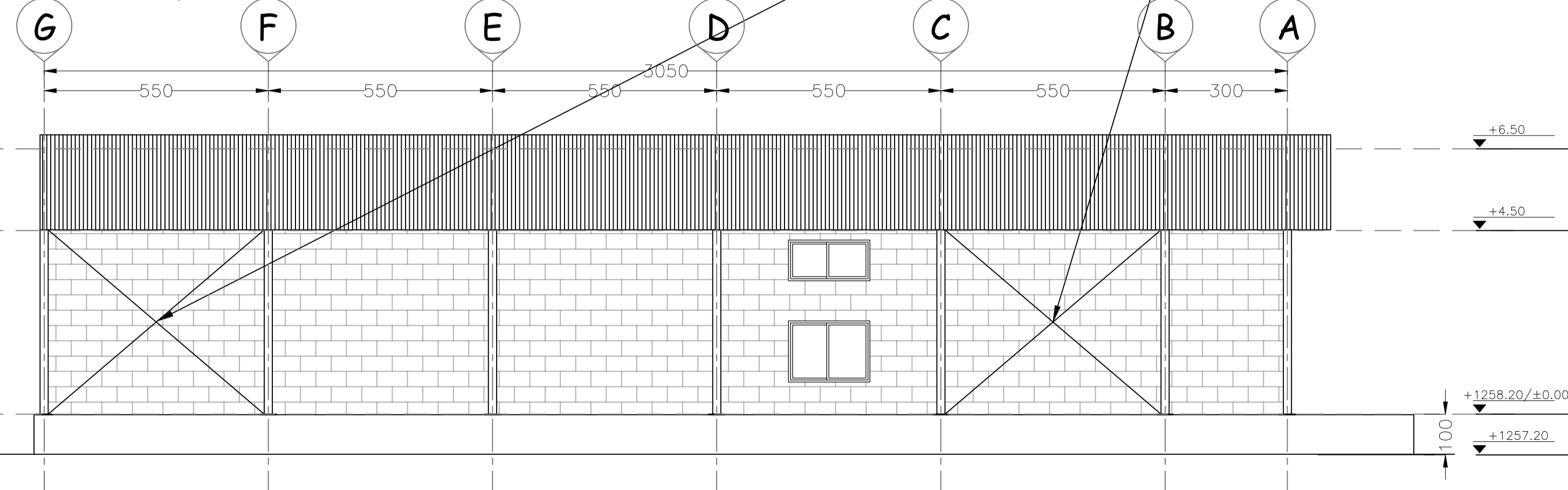
PLAN VIEW AT MEZZANINE
SCALE: 1/100



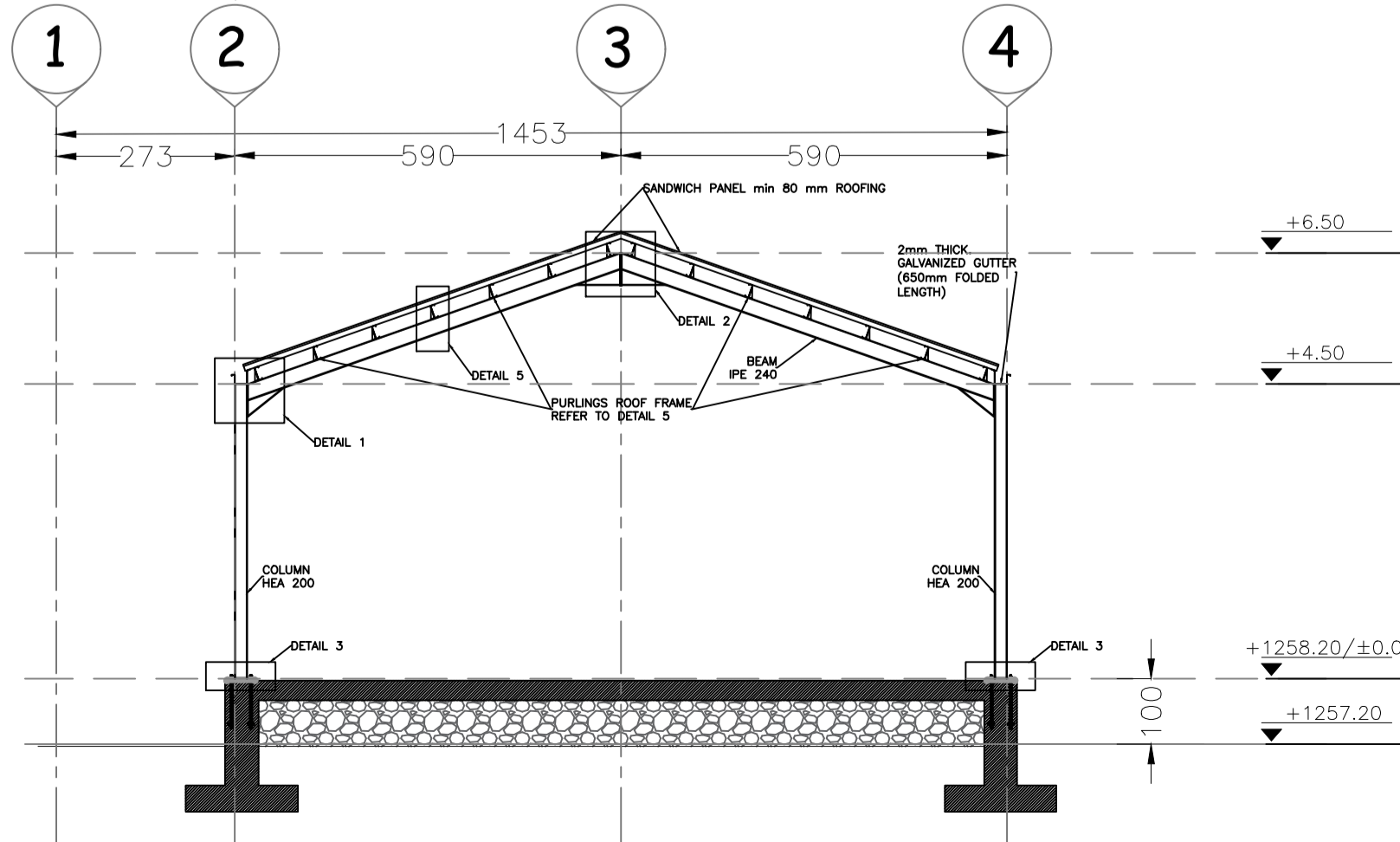
PLAN VIEW AT ROOF
SCALE: 1/100



TYPICAL ELEVATION (GRID 4)
SCALE: 1/100



SECTION @ FRAME A,F&G
SCALE: 1/100



LEAD ARCHITECT:



SASSINE ABOU AKAR
ARCHITECT

LEAD STRUCTURAL ENGINEER:



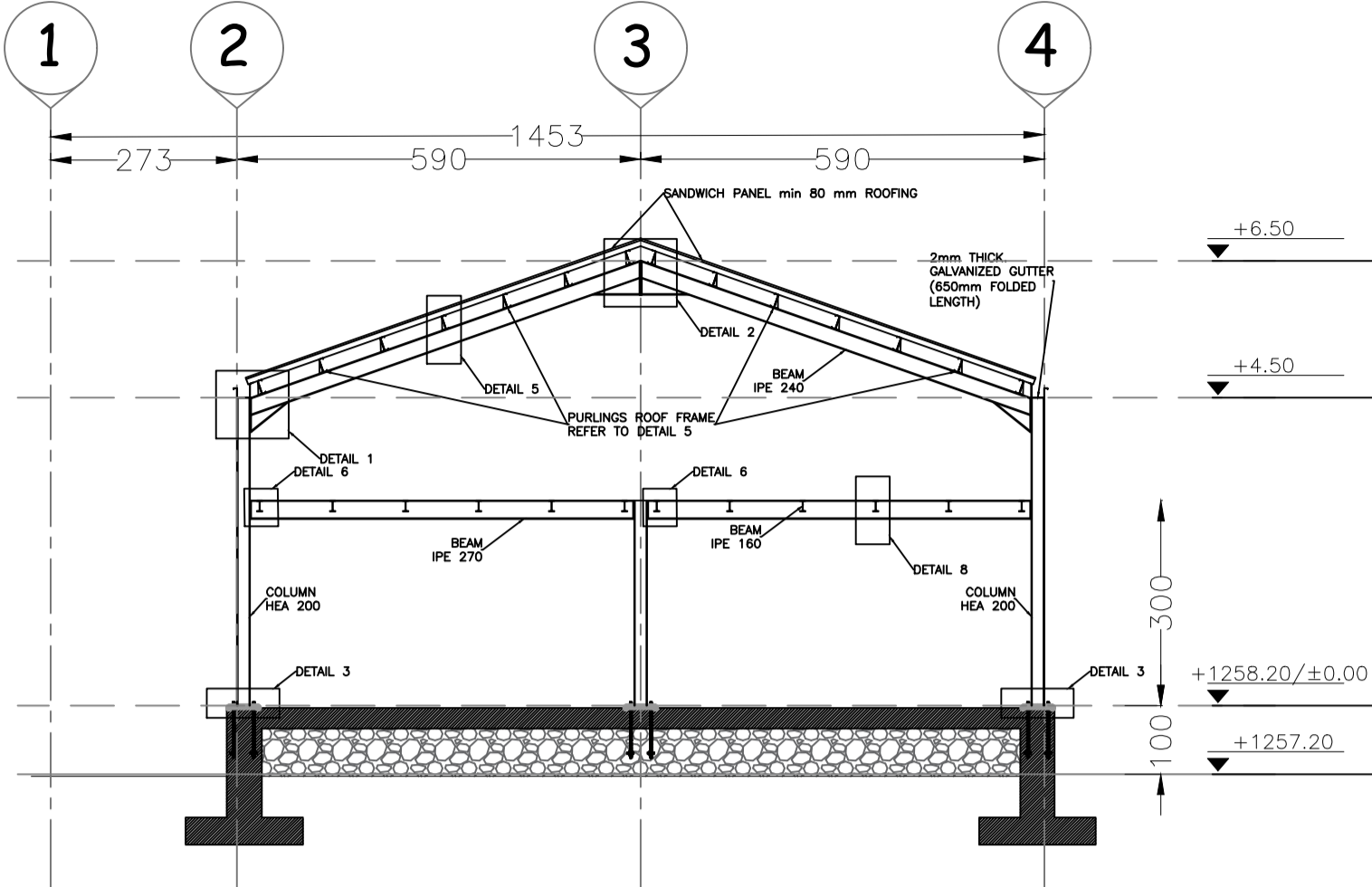
CHARBEL A. HARIKA
CIVIL ENGINEER

NOTES:

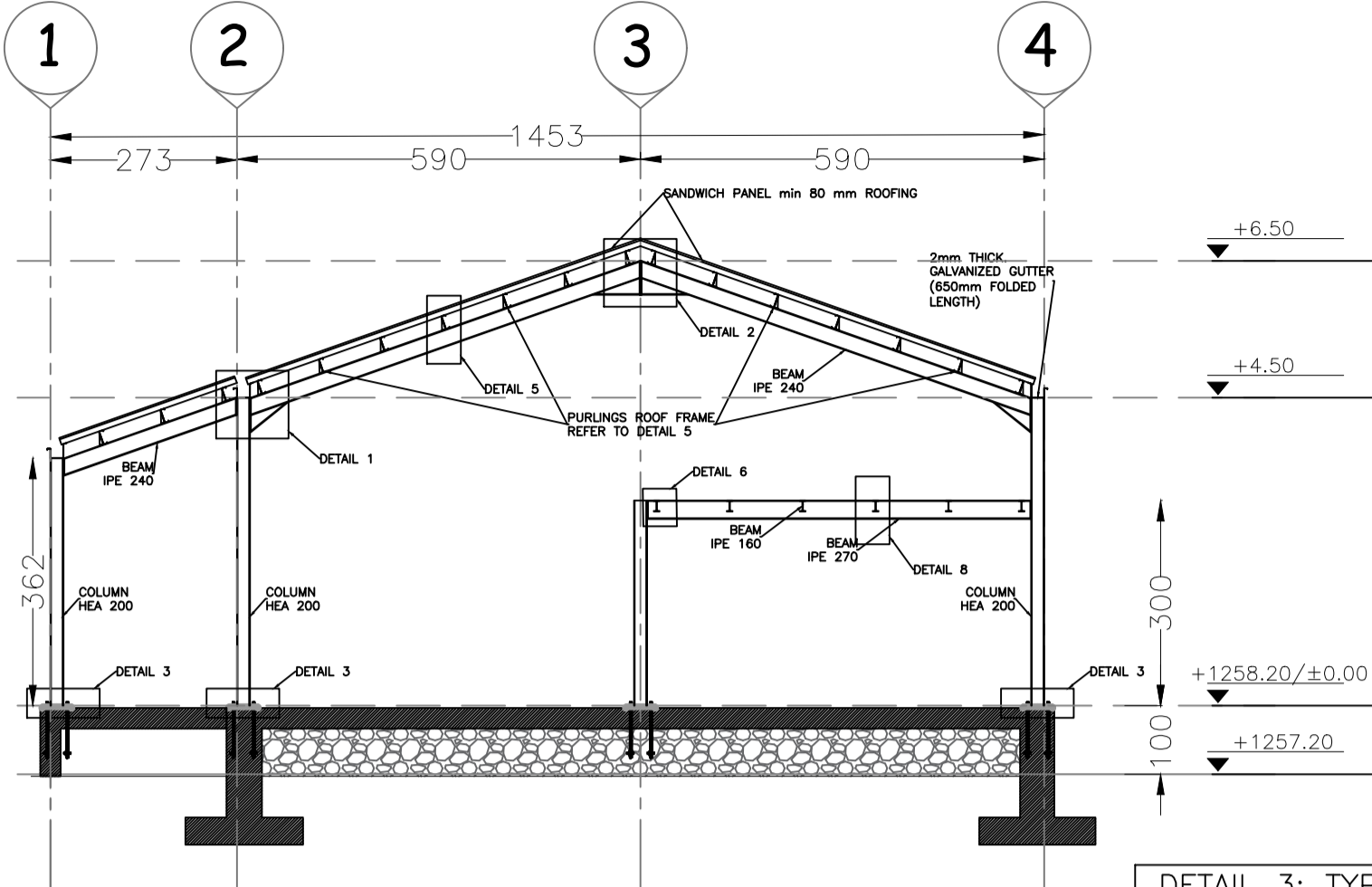
- 1- THE CONTRACTOR SHALL VERIFY ALL DIMENSIONS PRIOR TO STARTING CONSTRUCTION.
- 2- NOTES AND DETAILS ON DRAWINGS SHALL TAKE PRECEDENCE OVER GENERAL NOTES AND TYPICAL DETAILS.
- 3- FOR CONCRETE ELEMENTS REFER TO STRUCTURAL DRAWINGS.
- 4- ALL DIMENSIONS ARE IN CM UNLESS OTHERWISE SPECIFIED.
- 5- ALL ELEVATIONS ARE IN CM UNLESS OTHERWISE SPECIFIED.
- 6- Hot rolled sections are to conform As indicated:
 - HEA 200 S275 JR
 - IPE 240 S275 JR
 - Equal Angles 50x5 S275 JR
 - HEA 240 S275 JR
 - IPE 270 S275 JR
 - IPE 360 S275 JR
 - IPE 160 S275 JR
- 7- Structural Steel Plates and connections are to conform to SFA4-2 (DN 17100) equivalent to S275 JR (EN 10025-2)
- 8- ANCHOR BOLTS :
 - M24 Grade 8.8 with associated nuts, washer and plate as specified in drawings
 - M16 Grade 8.8 with associated nuts, washer and plate as specified in drawings.
- 9- HIGH-Strength Bolts, Nuts, and Washers : ASTM A 325M, Type 1, or Din 6914 Grade 8.8 Heavy Hex Steel
Structural Bolts, Heavy Hex Carbon-Steel Nuts, and Hardened carbon-Steel washers, uncoated or equivalent.
- 10- BLAST CLEAN TO SA 2 1/2
(SURFACE PREPARATION TO BS EN ISO 8501-1)
- 11- FACTORY APPLIED COATINGS CONFORM TO ISO 12944 C3
 - a-APPLY ZINC PHOSPHATE EPOXY PRIMER, With a dry film thickness of 80microns
 - b-APPLY CURED EPOXY INTERMEDIATE COAT, With a dry film thickness of 80microns
 - c-APPLY POLYURETHANE TOP COAT, With a dry film thickness 50microns
- 12- SITE APPLIED COATINGS CONFORM TO ISO 12944 C3
-Touch-up coating
- 13- DESIGN LOADS:
 - DL1: SELF WEIGHT
 - DL2: ROOF PANELS WEIGHT (0.11 KN/M2)
 - LL1: SLOPED ROOF LIVE LOAD (0.57 KN/M2)
 - MLL: MEZZANINE LIVE LOAD (5 KN/M2)
 - MDL: SLOPED ROOF LIVE LOAD (3.2 KN/M2)

N°	Date	Last revision titles
Job Title: WA 216 STORAGE UNIT		
Drawing Title: STEEL STRUCTURE DRAWINGS		
File Name: WA 216 STORAGE UNIT Structural Drawings		
Drawn	S.BOU AKAR	Scale: 1/100
Verified	S.BOU AKAR	Date: DEC-2022
Approved	S.BOU AKAR	Format: A1
Drawing Number		SD101

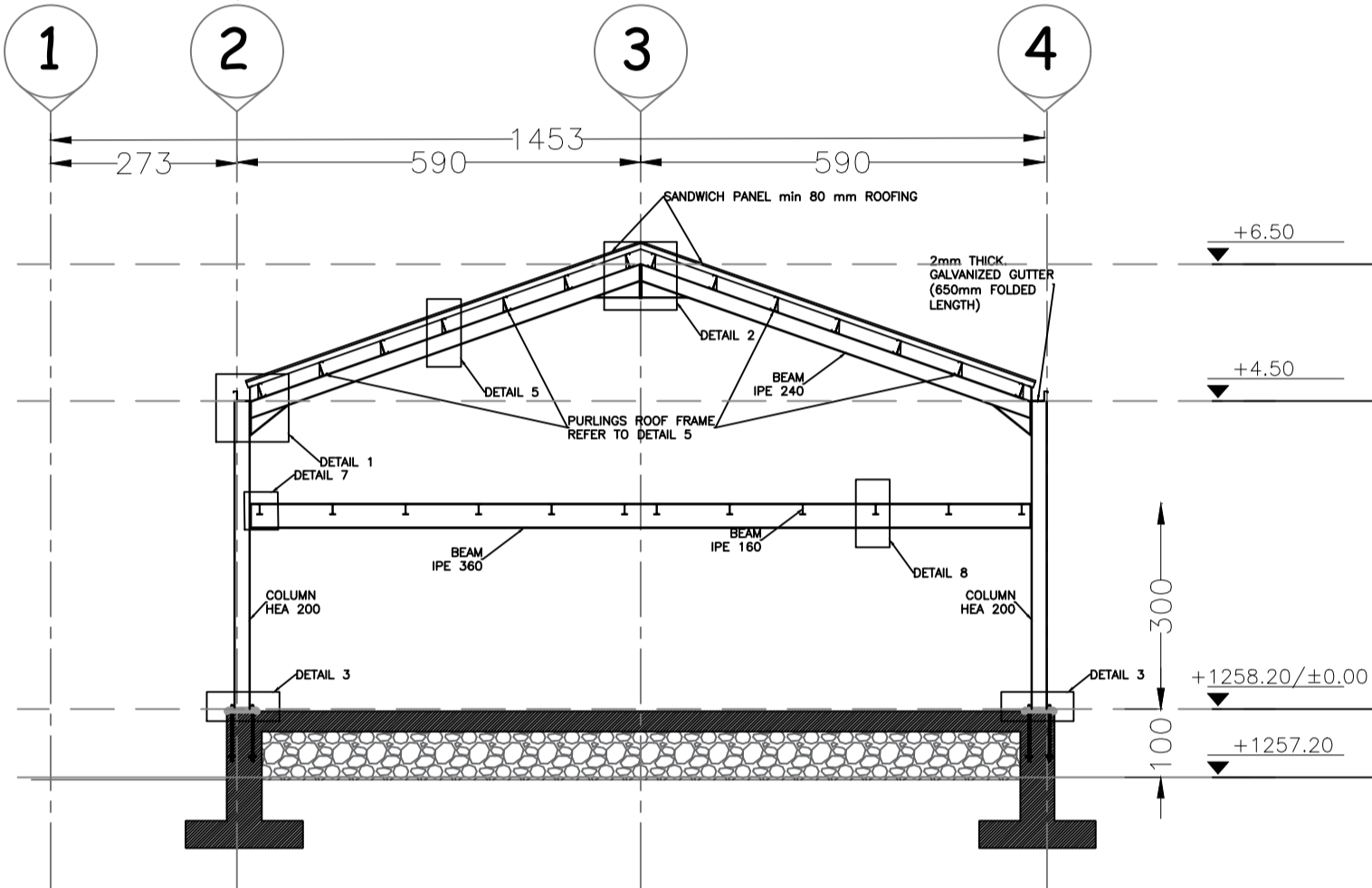
SECTION @ FRAME B
SCALE: 1/100



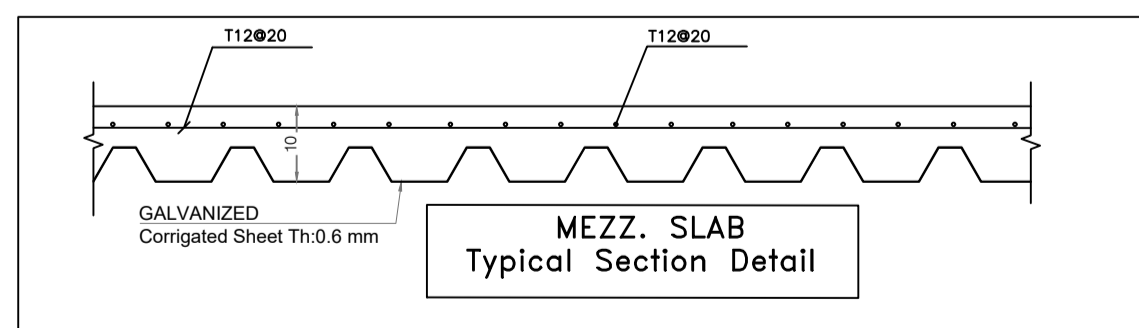
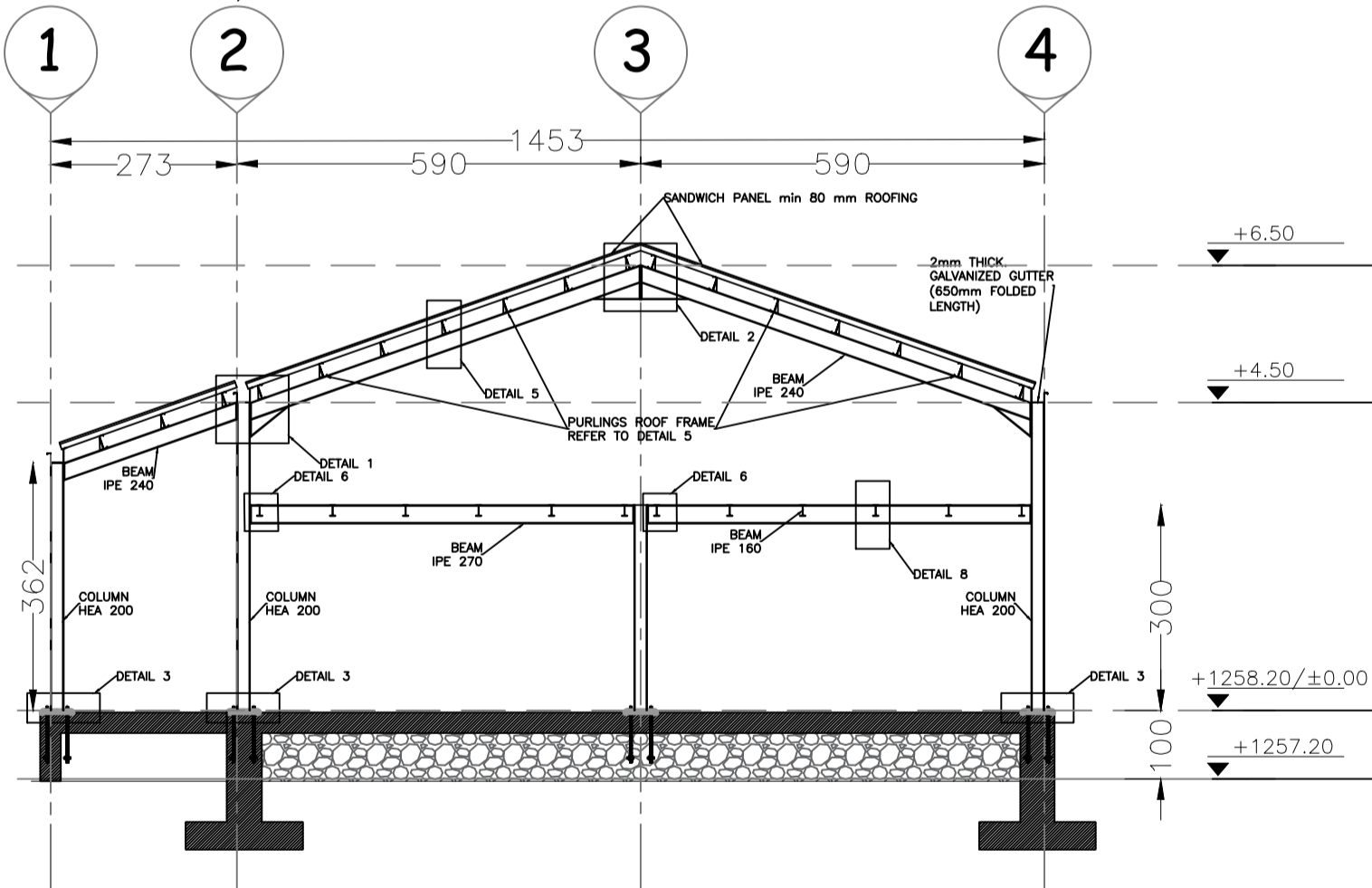
SECTION @ FRAME E
SCALE: 1/100



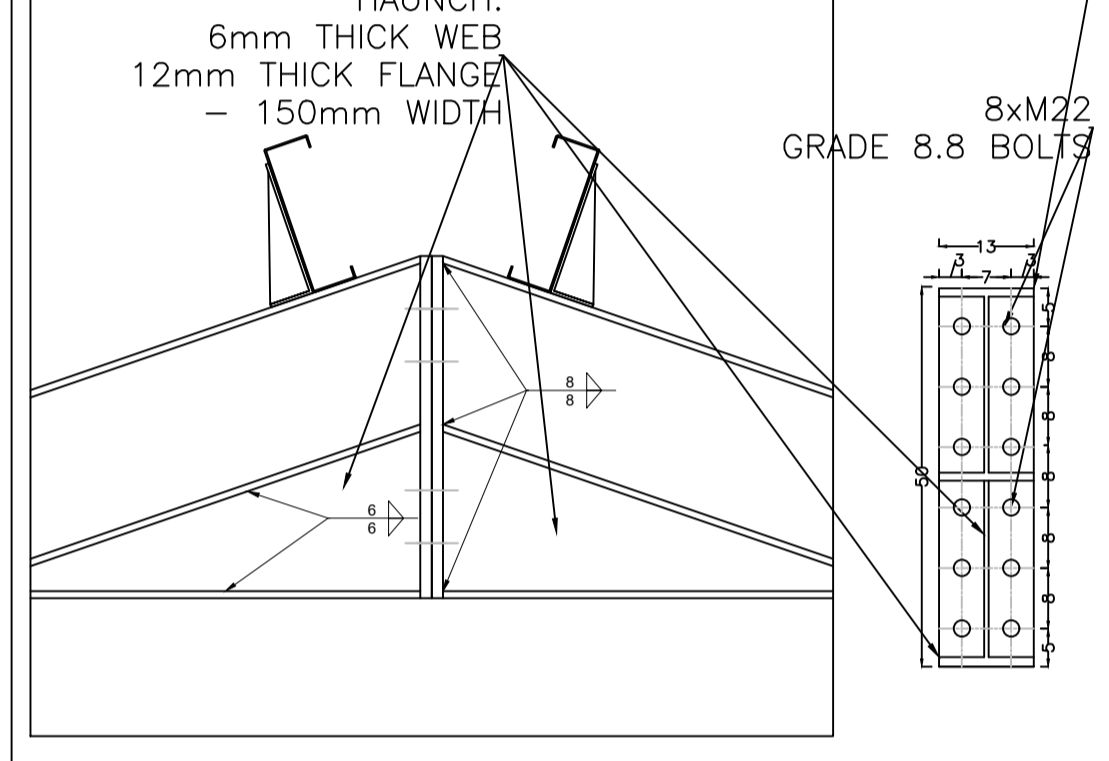
SECTION @ FRAME C
SCALE: 1/100



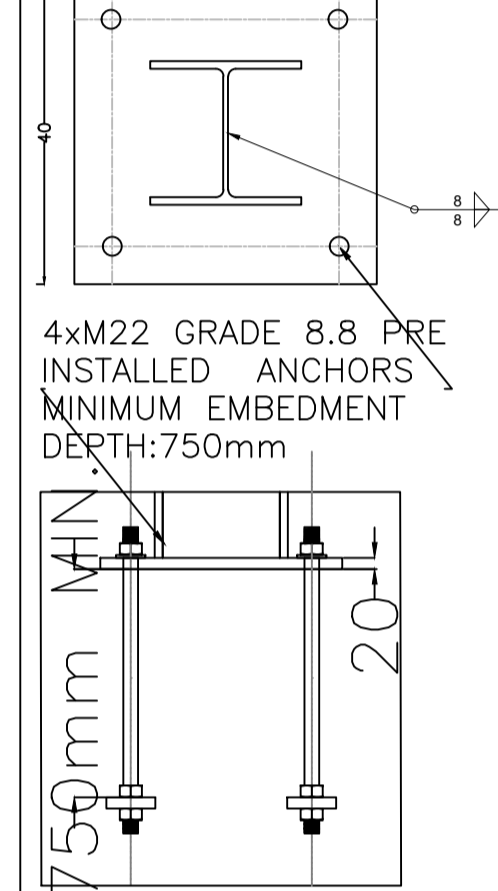
SECTION @ FRAME D
SCALE: 1/100



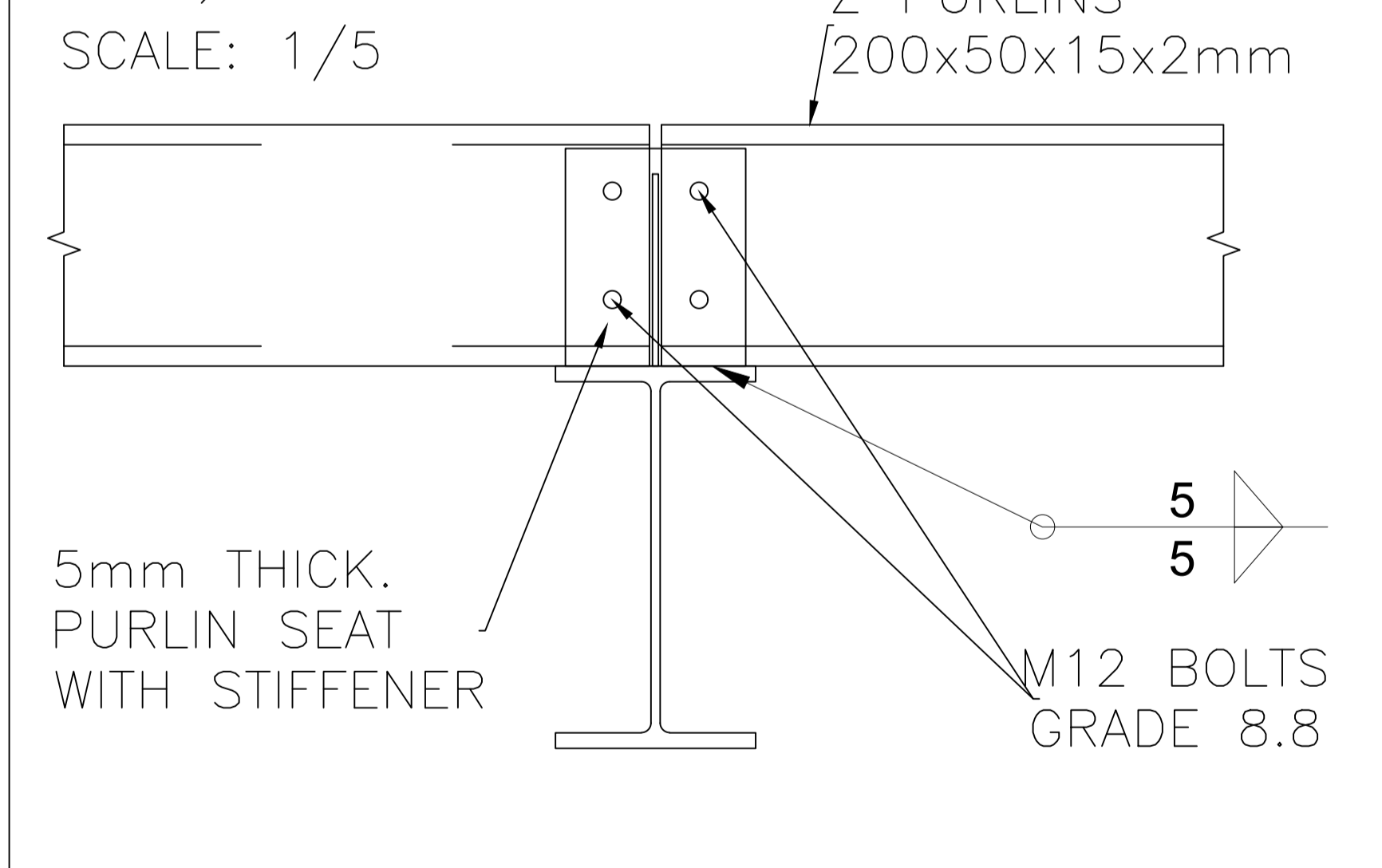
DETAIL 2: TYPICAL DETAIL AT APEX
SCALE: 1/10



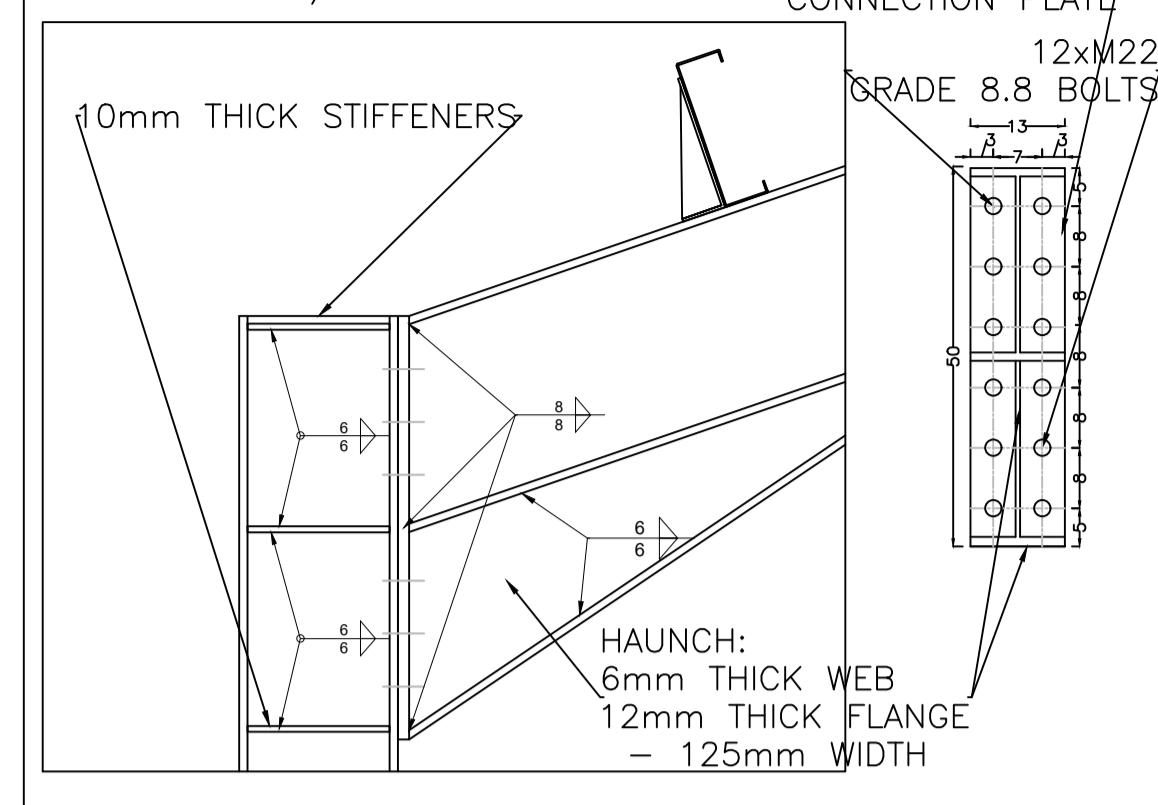
DETAIL 3: TYPICAL DETAIL AT BASE
SCALE: 1/10



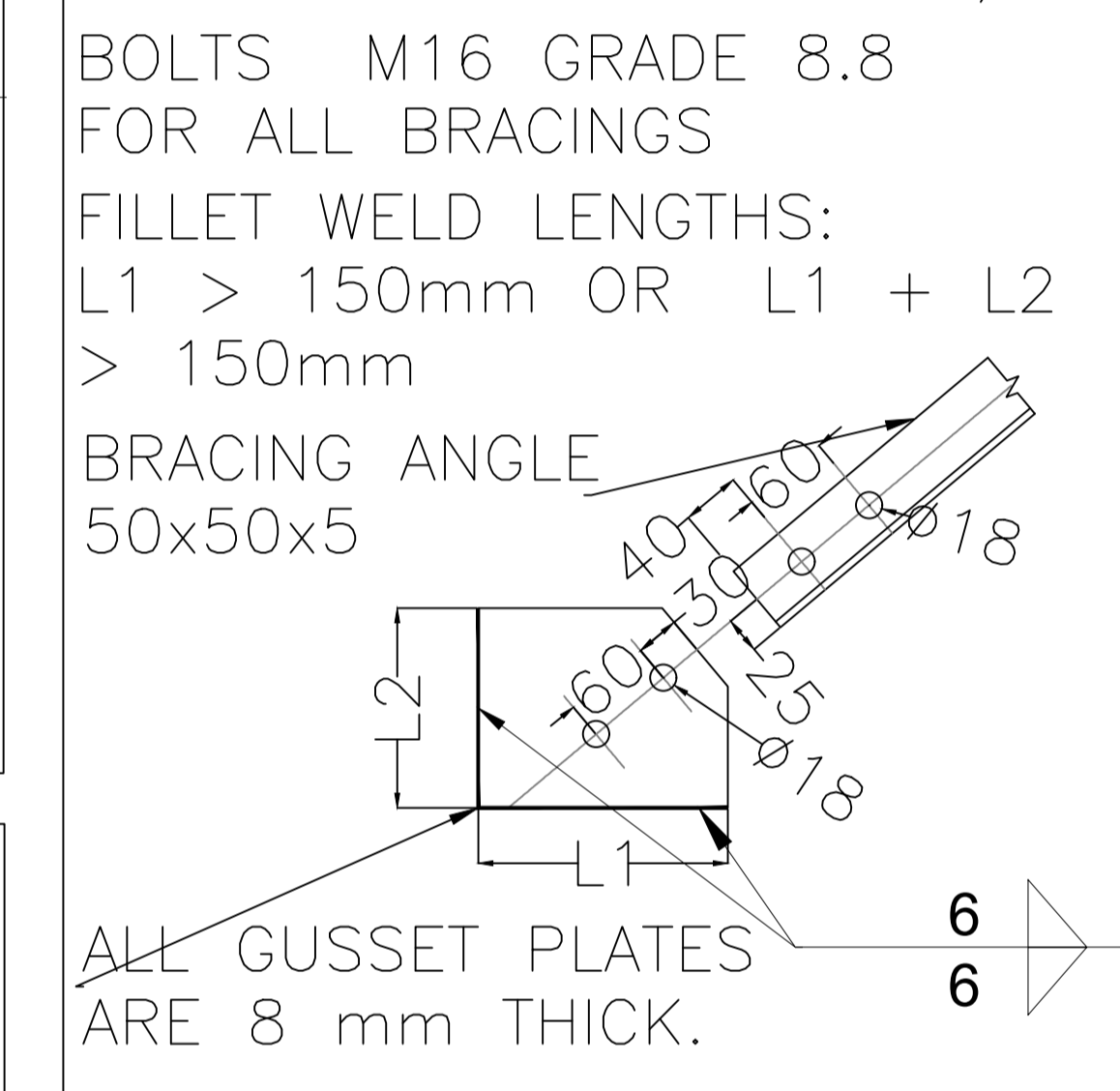
DETAIL 5: TYPICAL PURLIN CONNECTION & LATERAL BRACING (4 PURLINS ON EACH FRAME)
SCALE: 1/5



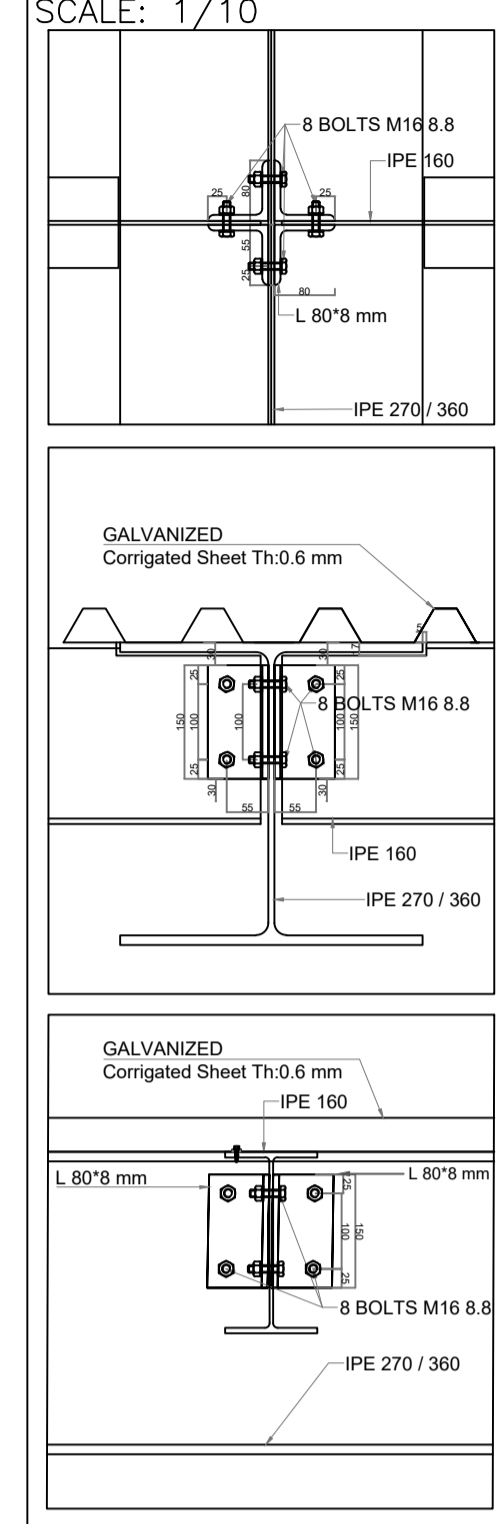
DETAIL 1: TYPICAL DETAIL AT RIDGE
SCALE: 1/10



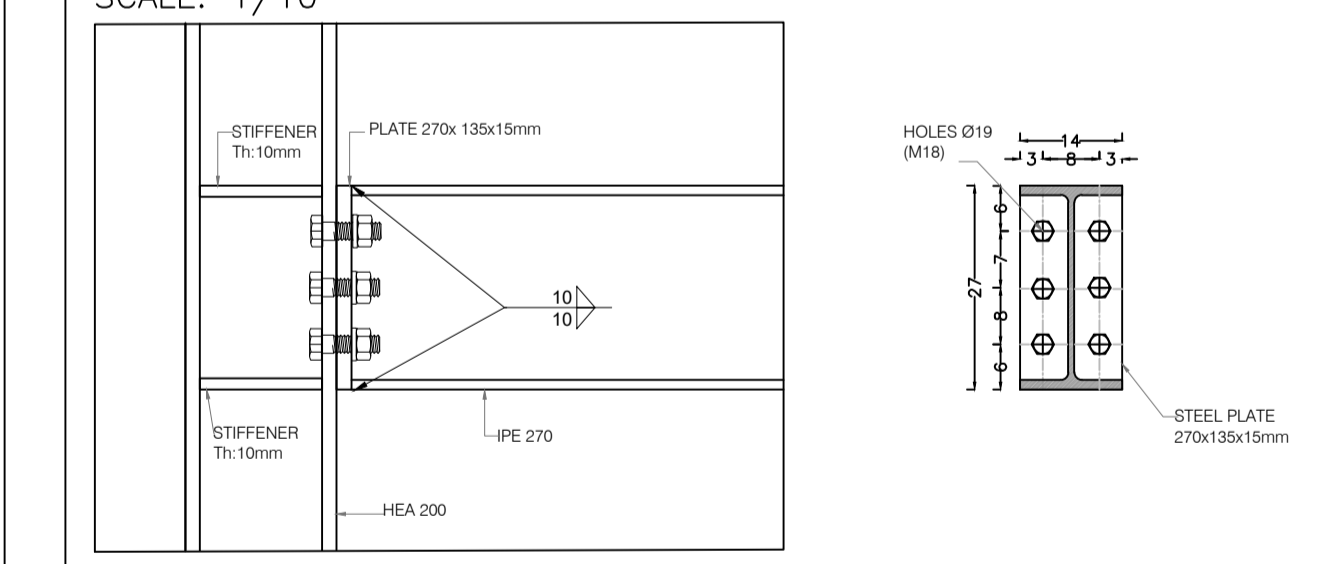
DETAIL 4: TYPICAL DETAIL OF BRACING
SCALE: 1/5



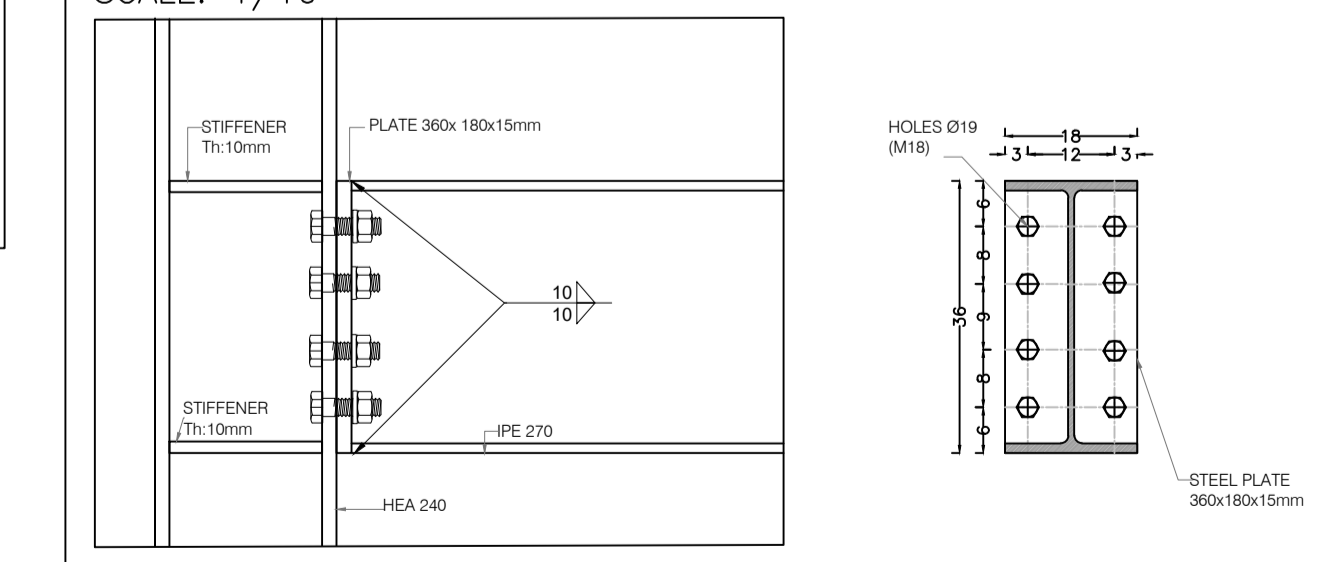
DETAIL 8: TYPICAL DETAIL
SCALE: 1/10



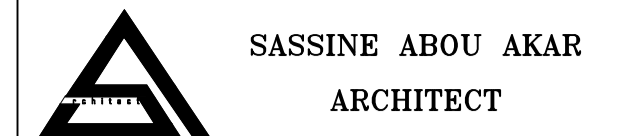
DETAIL 6: TYPICAL HEA 200 COLUMNS / IPE 270 BEAM CONNECTION
SCALE: 1/10



DETAIL 7: TYPICAL HEA 240 COLUMNS / IPE 360 BEAM CONNECTION
SCALE: 1/10

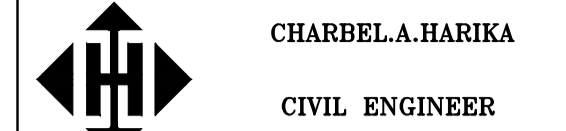


LEAD ARCHITECT:



SASSINE ABOU AKAR
ARCHITECT

LEAD STRUCTURAL ENGINEER:



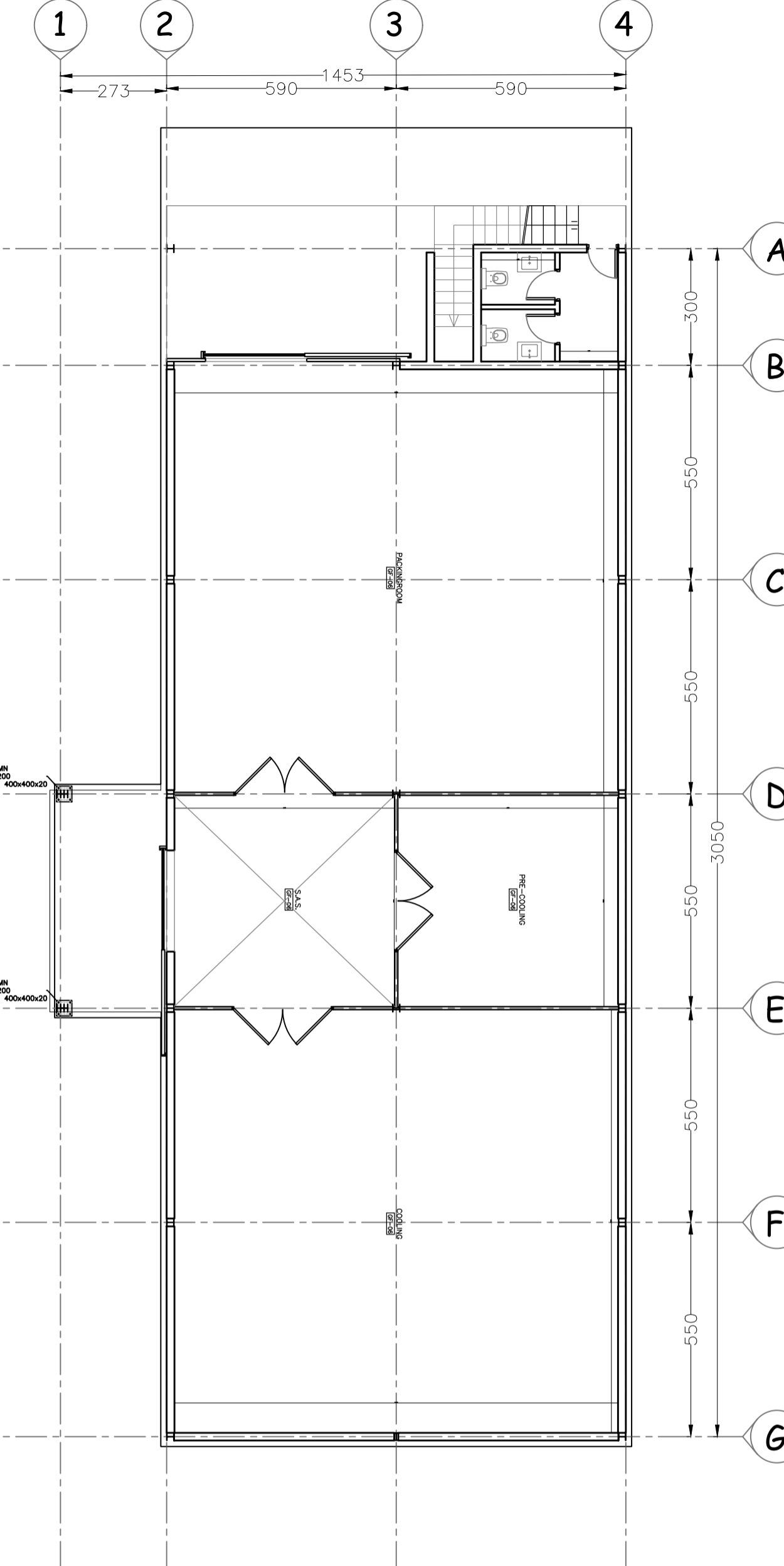
CHARBEL A. HARIKA
CIVIL ENGINEER

NOTES:

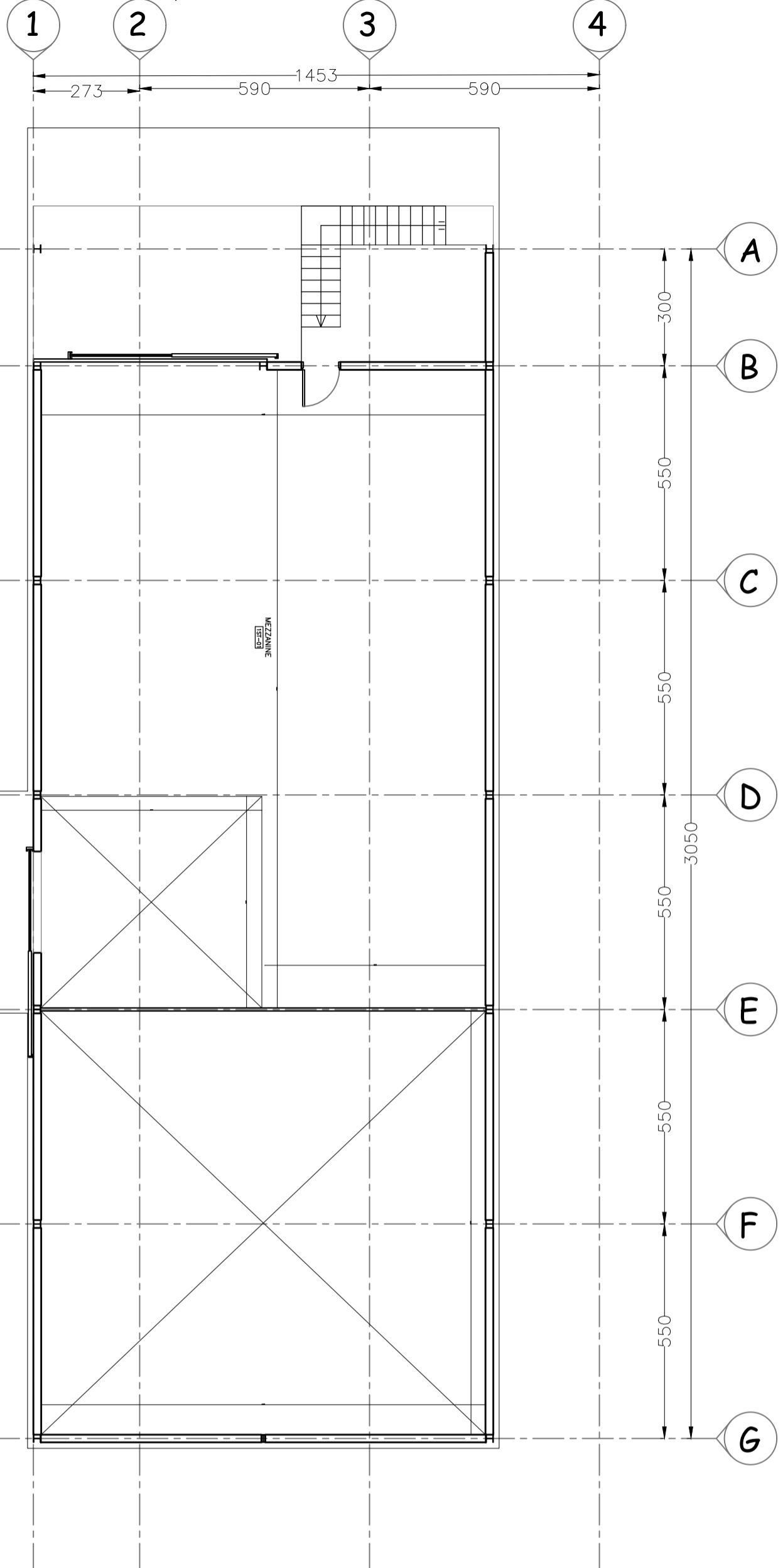
- 1- THE CONTRACTOR SHALL VERIFY ALL DIMENSIONS PRIOR TO STARTING CONSTRUCTION.
- 2- NOTES AND DETAILS ON DRAWINGS SHALL TAKE PRECEDENCE OVER GENERAL NOTES AND TYPICAL DETAILS.
- 3- FOR CONCRETE ELEMENTS REFER TO STRUCTURAL DRAWINGS.
- 4- ALL DIMENSIONS ARE IN CM UNLESS OTHERWISE SPECIFIED.
- 5- ALL ELEVATIONS ARE IN CM UNLESS OTHERWISE SPECIFIED.
- 6- Hot rolled sections are to conform As indicated:
-HEA 200 S275 JR
-IPE 240 S275 JR
-Equal Angles 50x5 S275 JR
-HEA 240 S275 JR
-IPE 270 S275 JR
-IPE 360 S275 JR
-IPE 160 S275 JR
- 7- Structural Steel Plates and connections are to conform to SFA4-2 (DIN 17100) equivalent to S275 JR (EN 10025-2)
- 8- ANCHOR BOLTS :
- M24 Grade 8.8 with associated nuts, washer and plate as specified in drawings.
- M16 Grade 8.8 with associated nuts, washer and plate as specified in drawings.
- 9- HIGH-Strength Bolts, Nuts, and Washers : ASTM A 325M, Type 1, or Din 6914 Grade 8.8 Heavy Hex Steel
Structural Bolts, Heavy Hex Carbon-Steel Nuts, and Hardened carbon-Steel washers, uncoated or equivalent.
- 10- BLAST CLEAN TO SA 2 1/2 (SURFACE PREPARATION TO BS EN ISO 8501-1)
- 11- FACTORY APPLIED COATINGS CONFORM TO ISO 12944 C3
a- APPLY ZINC PHOSPHATE EPOXY PRIMER, With a dry film thickness of 50microns
b- APPLY CURED EPOXY INTERMEDIATE COAT, With a dry film thickness of 80microns
c- APPLY POLYURETHANE TOP COAT, With a dry film thickness 50microns
- 12- SITE APPLIED COATINGS CONFORM TO ISO 12944 C3
-Touch-up coating
- 13- DESIGN LOADS:
-DL1: SELF WEIGHT
-DL2: ROOF PANELS WEIGHT (0.11 kN/M2)
-LL1: SLOPED ROOF LIVE LOAD (0.57 kN/M2)

N°	Date	Last revision titles
Job Title: WA 216 STORAGE UNIT		
Drawing Title: STEEL STRUCTURE DRAWINGS		
File Name: WA 216 STORAGE UNIT Structural Drawings		
Drawn	S.BOU AKAR	Scale: 1/100
Verified	S.BOU AKAR	Date: DEC-2022
Approved	S.BOU AKAR	Format: A1
		Drawing Number: SD102

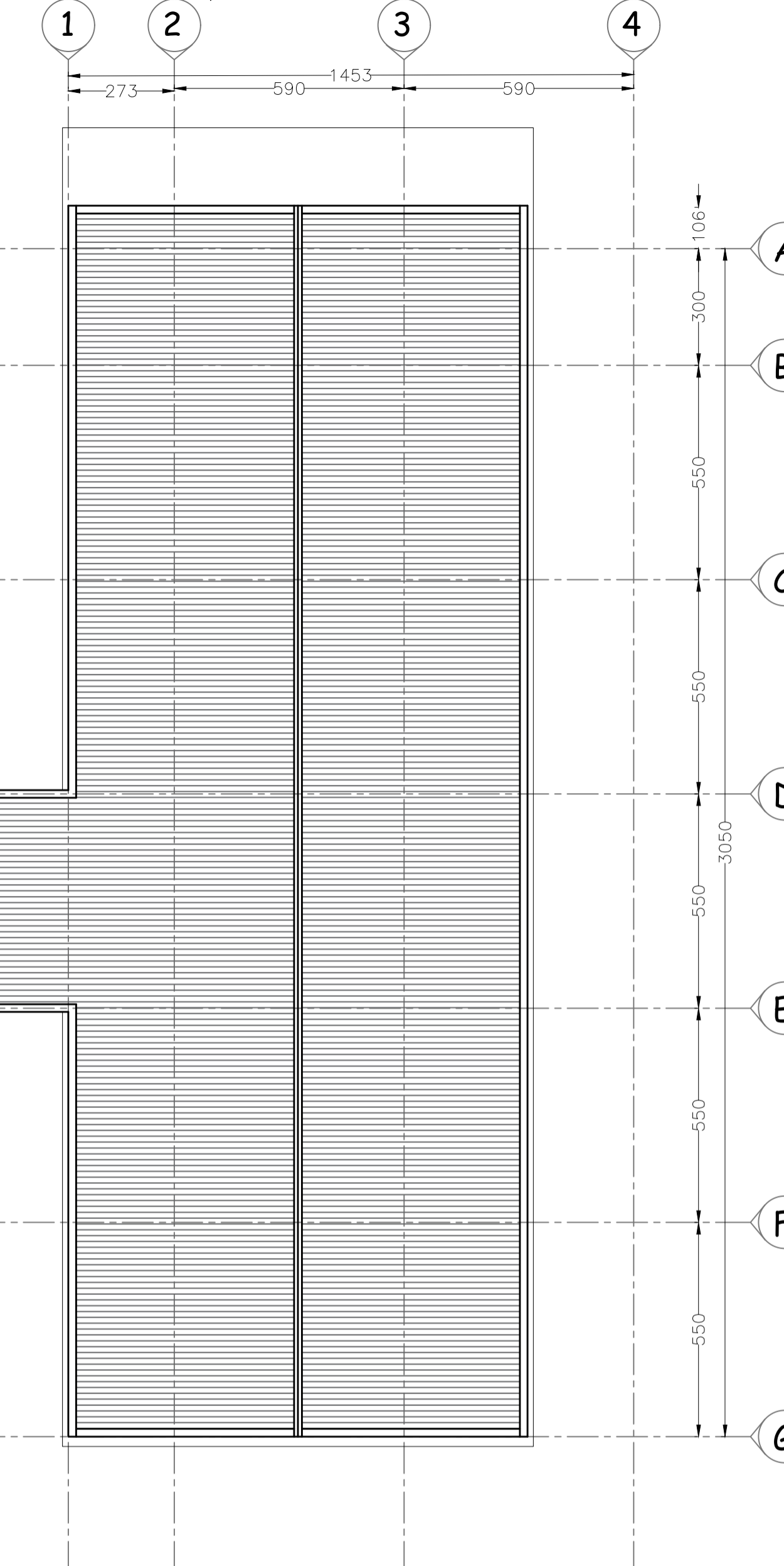
GROUND FLOOR PLAN
SCALE: 1/100



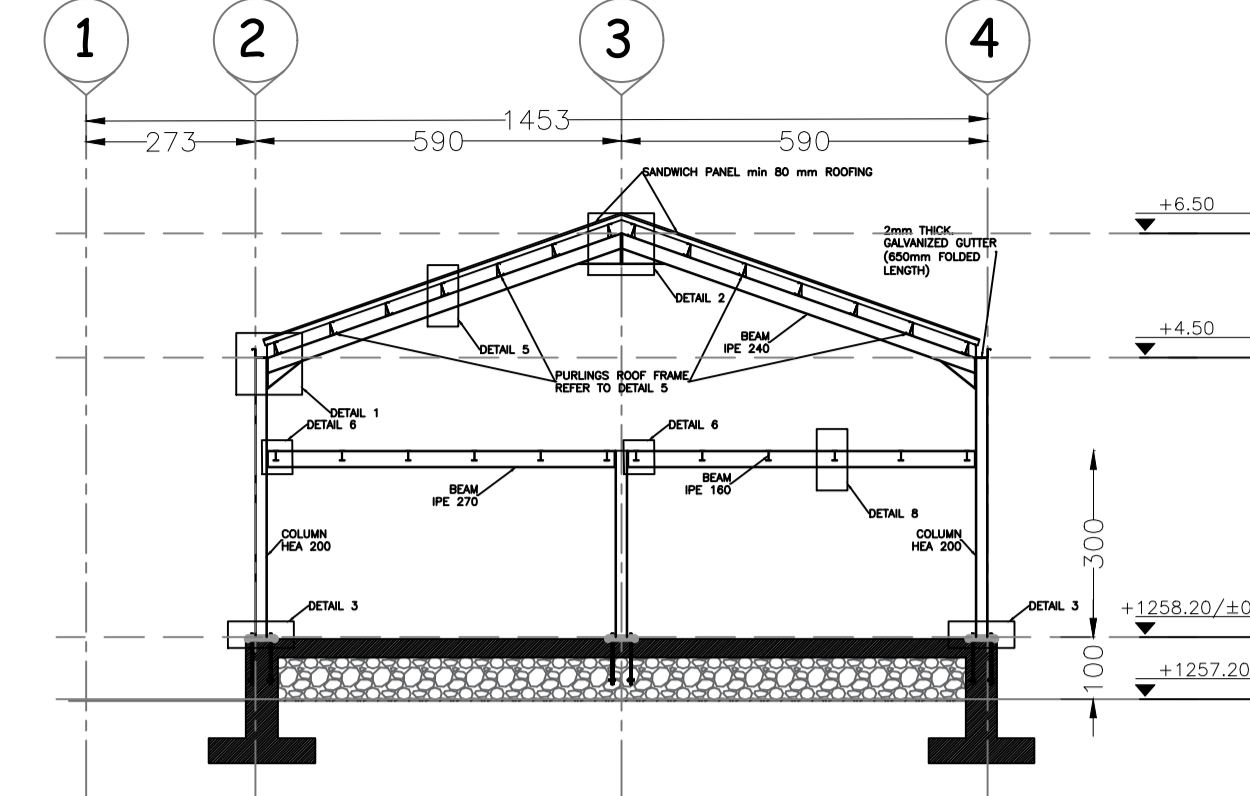
MEZZANINE FLOOR PLAN
SCALE: 1/100



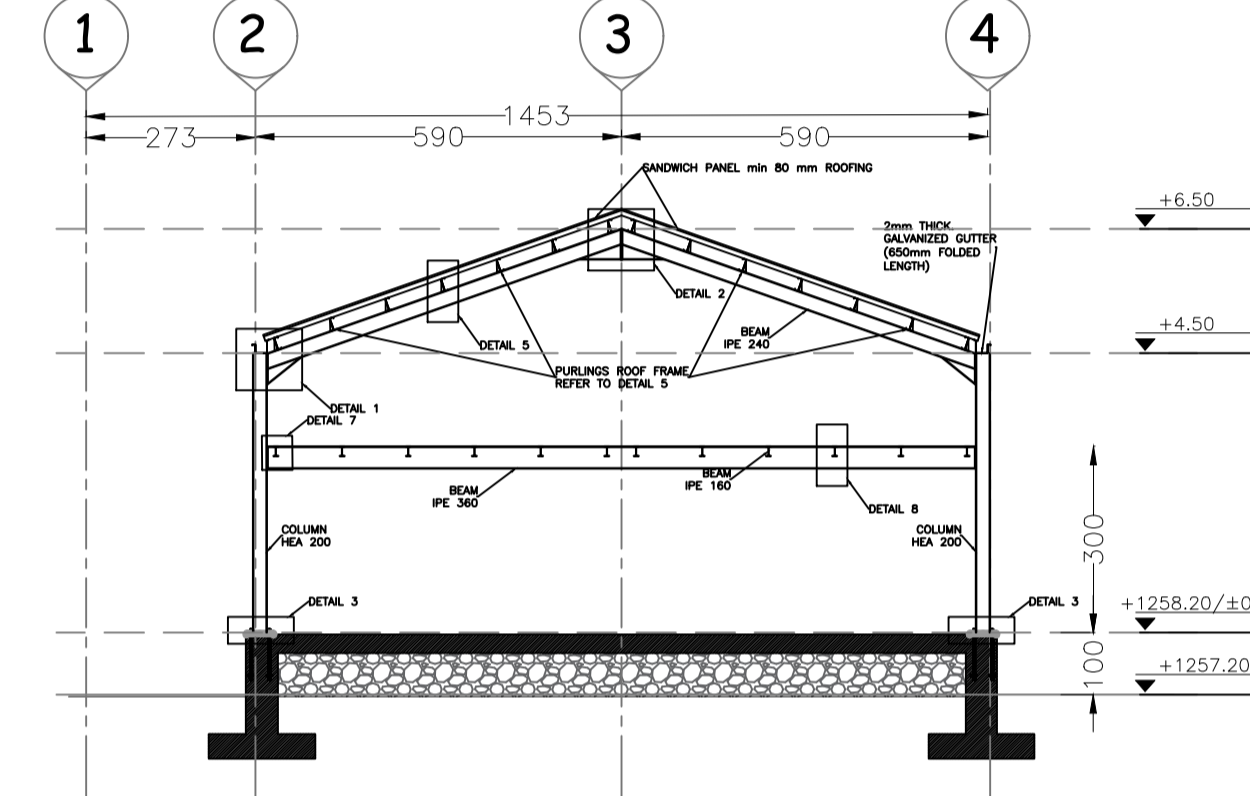
ROOF TOP PLAN
SCALE: 1/100



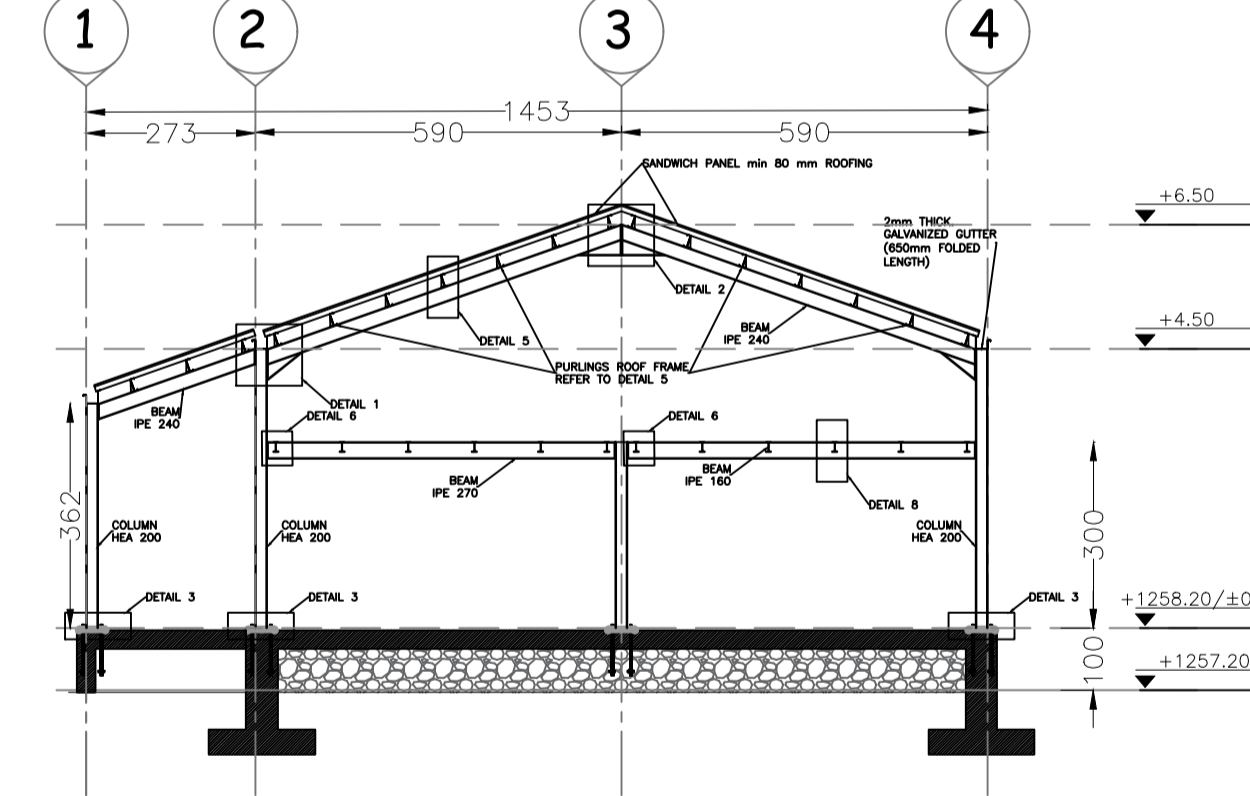
SECTION @ FRAME B
SCALE: 1/100



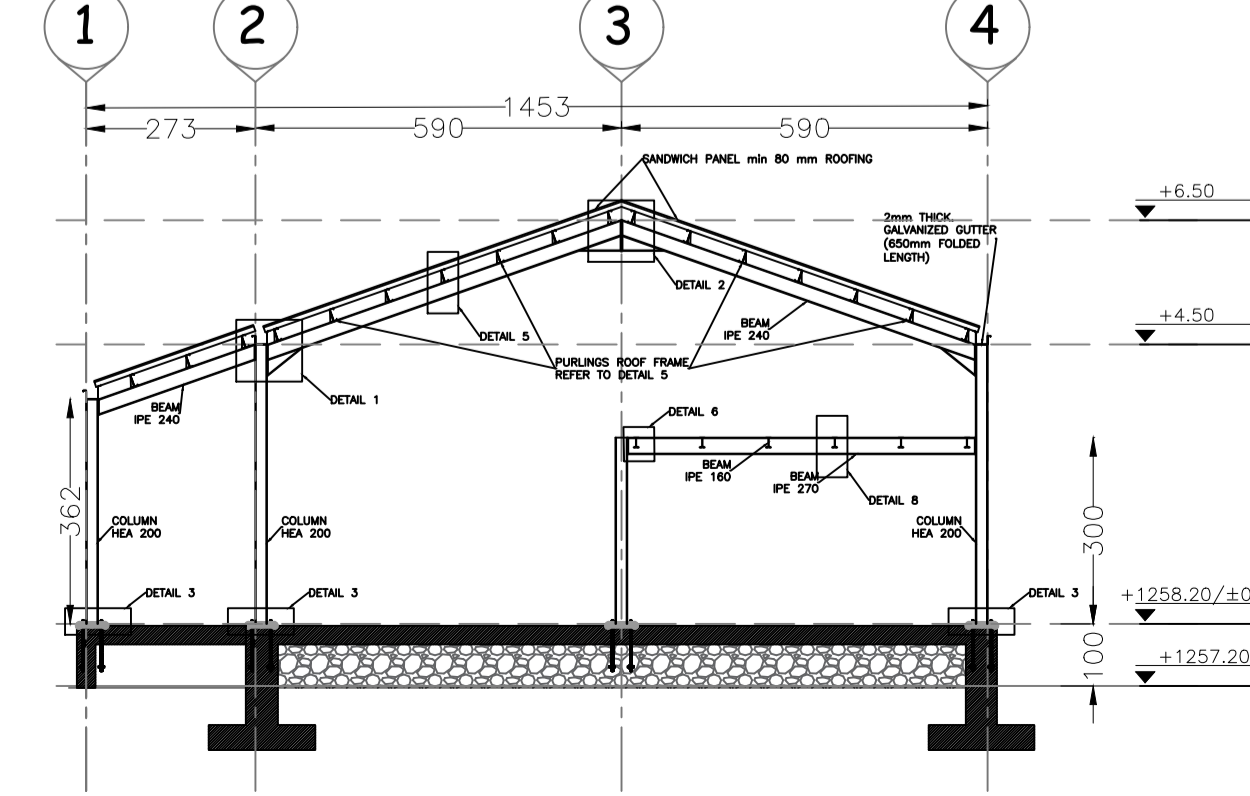
SECTION @ FRAME C
SCALE: 1/100



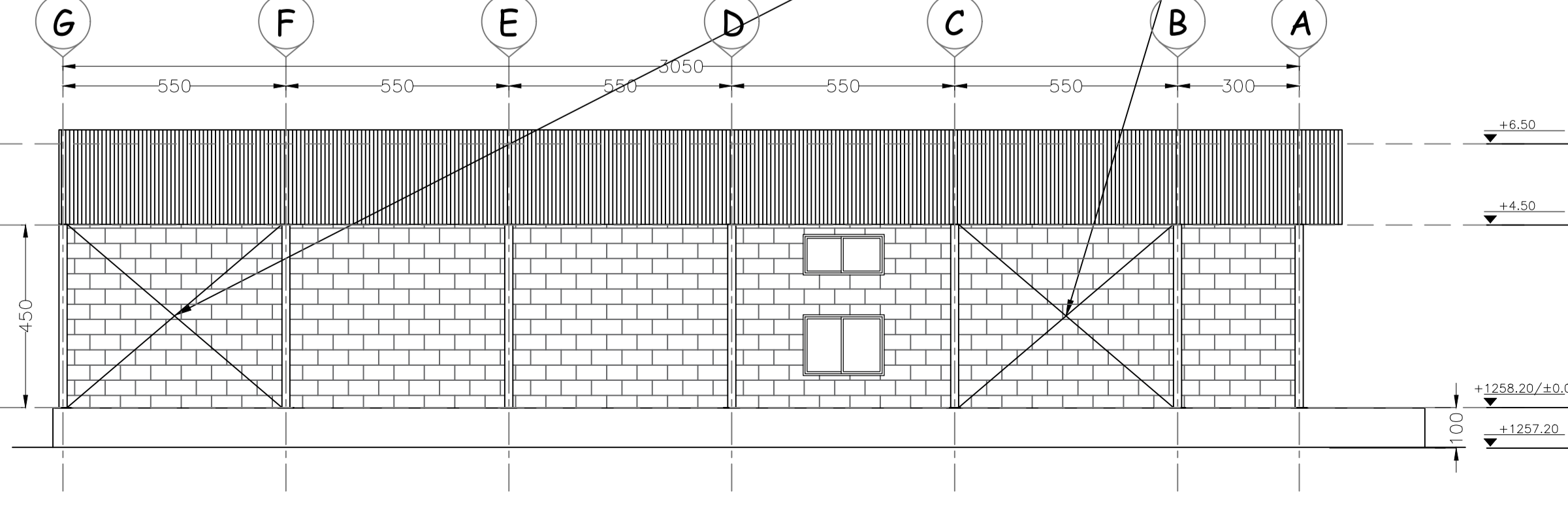
SECTION @ FRAME D
SCALE: 1/100



SECTION @ FRAME E
SCALE: 1/100



TYPICAL ELEVATION (GRID 4)
SCALE: 1/100



SECTION @ FRAME A,F&G
SCALE: 1/100

