

REQUEST FOR QUOTATION

From:	Wahat-Al-Farah Association for special needs	To:	
Address :	Bkeftine-El-Koura-Lebanon	Address :	
Contact Person:	Youssef Bssawmai/ Project Manager	Contact Person:	
Phone:	+961 3 038371	Phone:	
Email:	youssef.bssawmai@gmail.com	Email:	

Wahat-Al-Farah Association for Special Needs invites Company to submit quotation(s) for the provision items detailed in this Request for quotation.

Request for quotation details:	
RFQ #:	BOF20202-016-25
RFQ Issuing Date:	January 29, 2025
Quotation & Sample Submission deadline:	February 12, 2025, 2:00 p.m.
Currency of Bid (3-letter code):	USD
Bid Validity Period :	90 days
Required Delivery Date:	Within 1 week from receiving PO
Required Delivery Destination of the Goods:	Bkeftine-El-Koura-Lebanon
Payment terms :	Bank Note

IMPORTANT NOTE

- WAF will award this contract to a single bidder based on the lowest-cost technically compliant bid, and the bidder must bid on all items listed in the financial offer.
- All Bids received in pencil will be disqualified.
- WAF reserves the right to correct any miscalculation on the bid form.
- Bids in any currency other than USD may be disqualified.
- WAF reserves the right to cancel any item from this RFQ and adjust the quantity based on budget availability.

RFQ INSTRUCTIONS

The bidder is requested to submit their offer in a sealed envelope to: Wahat al Farah HQ Bkeftine-El-Koura-Lebanon Ensure the following inscription is mentioned on the envelope: **RFQ#: BOF20202-016-25 – Provision of various furniture** before the deadline February 12, 2025 at 2:00 p.m.

The following Documents are required (**Mandatory**):

1. This RFQ **completed signed and stamped**.
2. Financial offer form **fully and accurately filled in, signed and stamped**.
3. Copy of company registration.(**mandatory**)
4. Copy of VAT registration **if any (Ministry of Finance)**

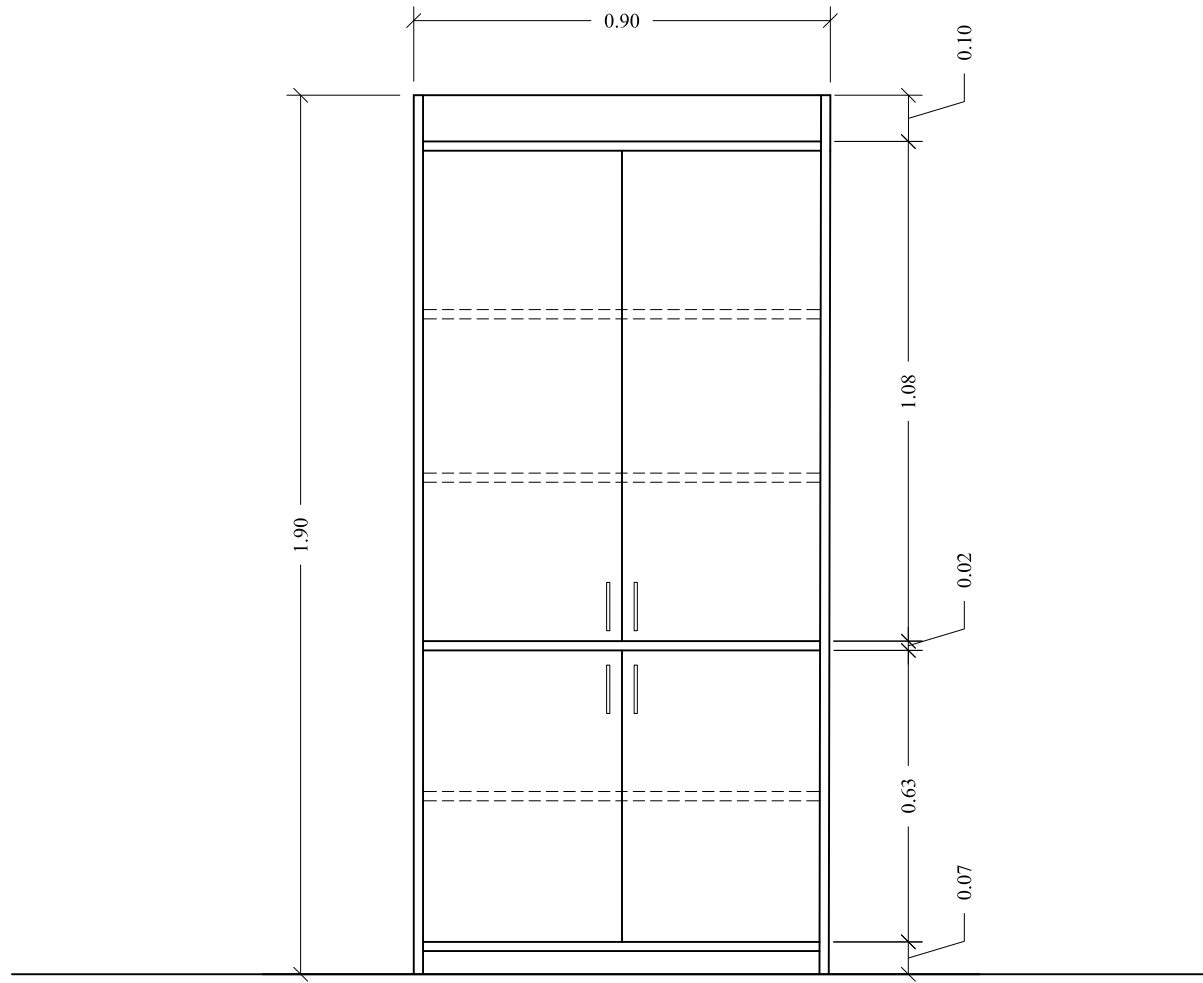
REQUEST FOR QUOTATION

Financial Offer Form:

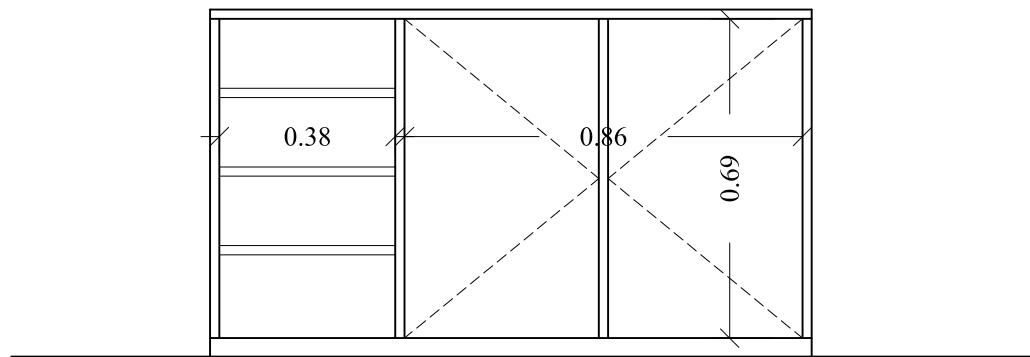
WAHAT-AL-FARAH ASSOCIATION FOR SPECIAL NEEDS TO COMPLETE				BIDDER TO COMPLETE		
Item No.	Item Description	Estimated Quantity	UOM	Item /Milestone Offered <i>Model Name, Model, UOM and (Full Descriptions if different than what is required in the required technical description)</i>	Unit Price (USD) <i>Excluding VAT</i>	Total Price (USD) <i>Excluding VAT</i>
1	Laminate Wood Desk (180*90cm) with corner (70*50cm) with drawer High quality	3	pcs			
2	Desk Chair High quality	3	pcs			
3	Wood cabinet drawer (50*50 cm) height 55cm	15	pcs			
4	Office Chair High quality	30	pcs			
5	Laminated Wood Cabinet (90*40 cm) Height 180cm (See Attached Drawings LO-001)	9	pcs			
6	Laminated Low Wood Cabinet (90*40 cm) Height 90 cm (See Attached Drawings LO-002)	12	pcs			
7	Divided Laminated Low Wood Cabinet (90*40 cm) Height 90 cm (See Attached Drawings LO-003)	15	pcs			
8	Leather Siting room (180cm*60cm)	2	pcs			
9	Leather Siting room (60cm*60cm)	4	pcs			
10	Comfy seats Made of leather and durable high density foam color any of your choice. Dim:100*50cm	6	pcs			
11	Bulletin Board: framed with Wood, Dimension: 180*120 cm	10	pcs			
12	Single colored square carpet (300cm*300cm)	10	pcs			
13	Single colored square carpet (200cm*200cm)	4	pcs			
14	Metallic Filing Cabinet with 4 drawers size: 136 cm height, 48 cm width, 63 cm depth	3	pcs			
15	Classroom Coat rack size: 180cm* 15 cm	15	pcs			
16	Stackable chairs	15	pcs			
				SUBTOTAL Excluding VAT:		
				VAT 11% (If any):		
				TOTAL Including VAT:		

REQUEST FOR QUOTATION

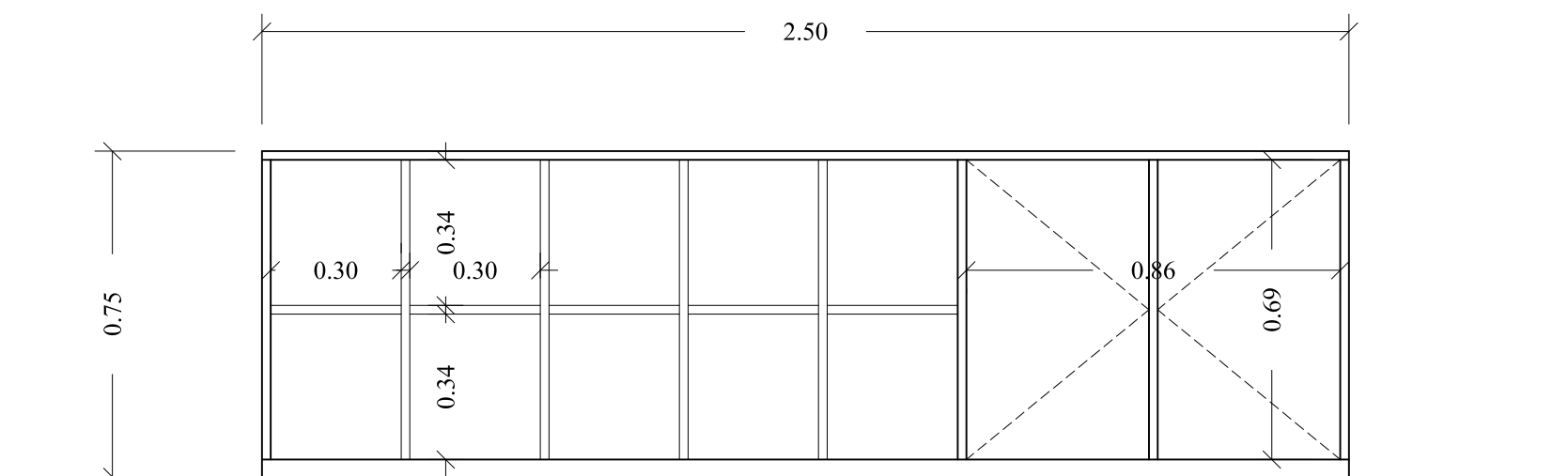
Delivery Lead Time: <i>(From receipt of Purchase Order/signing the contract)</i>		(Calendar) days
Bid Validity Period: <i>Bid must be valid as stated on the Request for Quotation Details. Bids not meeting the Bid Validity Period may be disqualified.</i>		(Calendar) days
Supplier Payment Modality: <i>Bid not meeting Wahat al farah payment terms may be disqualified</i>		
Supplier name: <i>as per the registration paper</i>		
Address		
Submission Date:		
Signature & Stamp: <i>Company Stamp only is accepted</i>		



Cabinet / LO-001



Low Cabinet with Drawers / LO-002



Divided Low Cabinet / LO-003

Details