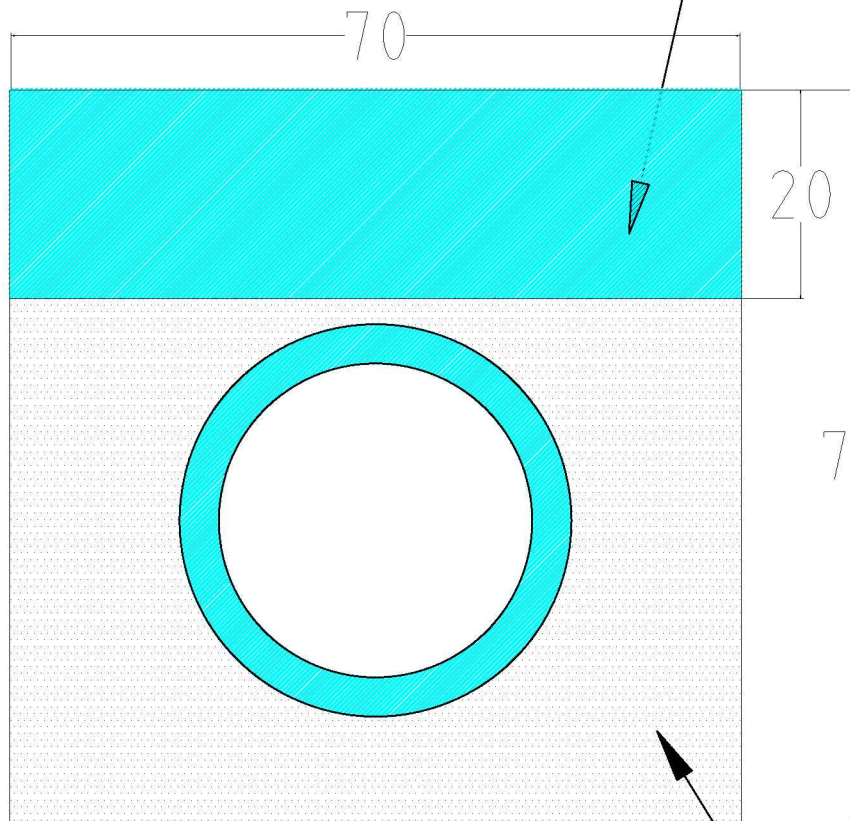


RC: 10 mm@15 cm



70

ϕ 8-12

ϕ 6-20

RC PIPE 300mm

ϕ 30cm

7.5 cm

INSTALLATION OF RC PIPES

Sand Surround the pipe



Republic of Lebanon



North Governorate

Daniyeh Region

Note:

Reinforced concrete:

Concrete for all structure (350kg/m³)

Reinforcement:

Deformed high strength steel bars

Yield stress: $F_y=420\text{N/mm}^2$

All Steel Bars : $\phi 10\text{mm @}15\text{cm}$

Drawing Title :

RC Pipes Section

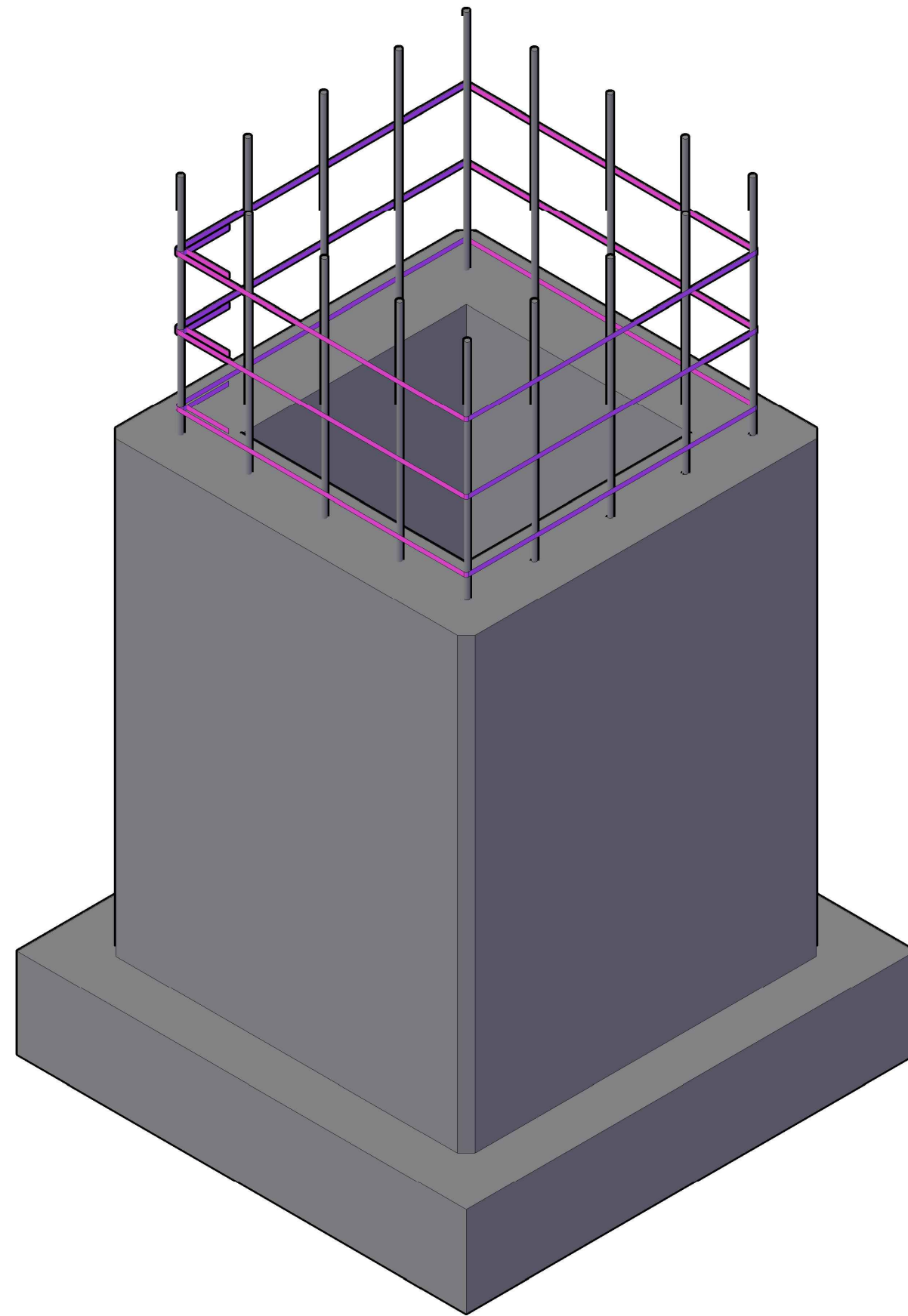
1 of 1

Section 6

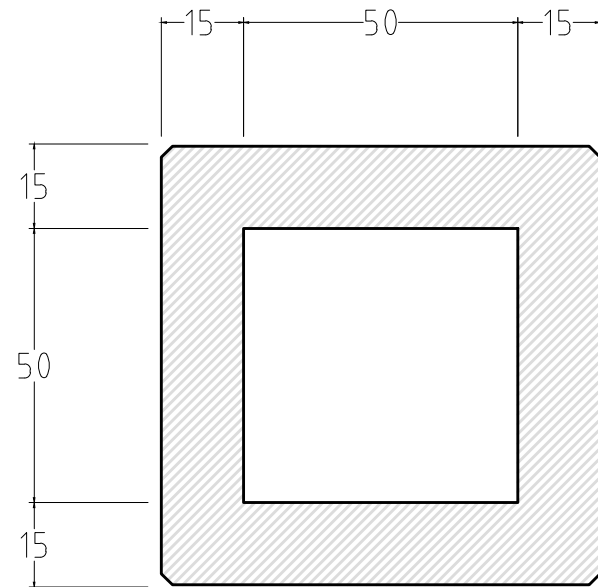
Lebanese Relief Council



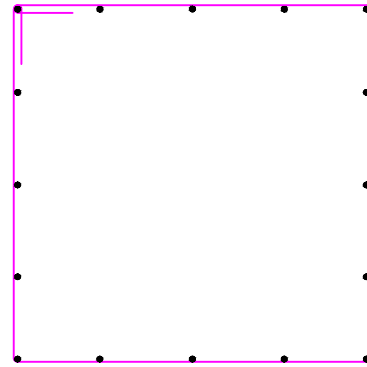
LEB
RELIEF



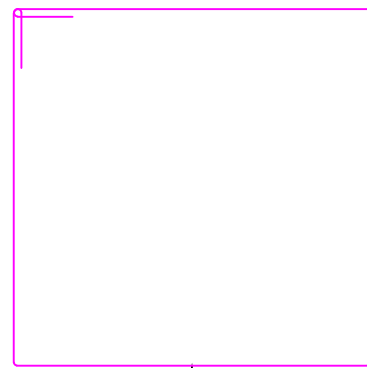
CONCRETE Manhole "Siphon"



REINFORCEMENT
DETAILS



Steel Bars Shape



Steel length= 280 cm



Republic of Lebanon

North Governorate

Daniyeh Region

Note:

Reinforced concrete:

Concrete for all structure (350kg/m³)

Reinforcement:

Deformed high strength steel bars

Yield stress: $F_y=420\text{N/mm}^2$

All Steel Bars : $\varnothing 10\text{mm @}15\text{cm}$

Drawing Title :

Concrete Manhole "Siphon" Section and
Reinforcement Details for Daniyeh Project

1 of 2

Section 3

Lebanese Relief Council



**LEB
RELIEF**