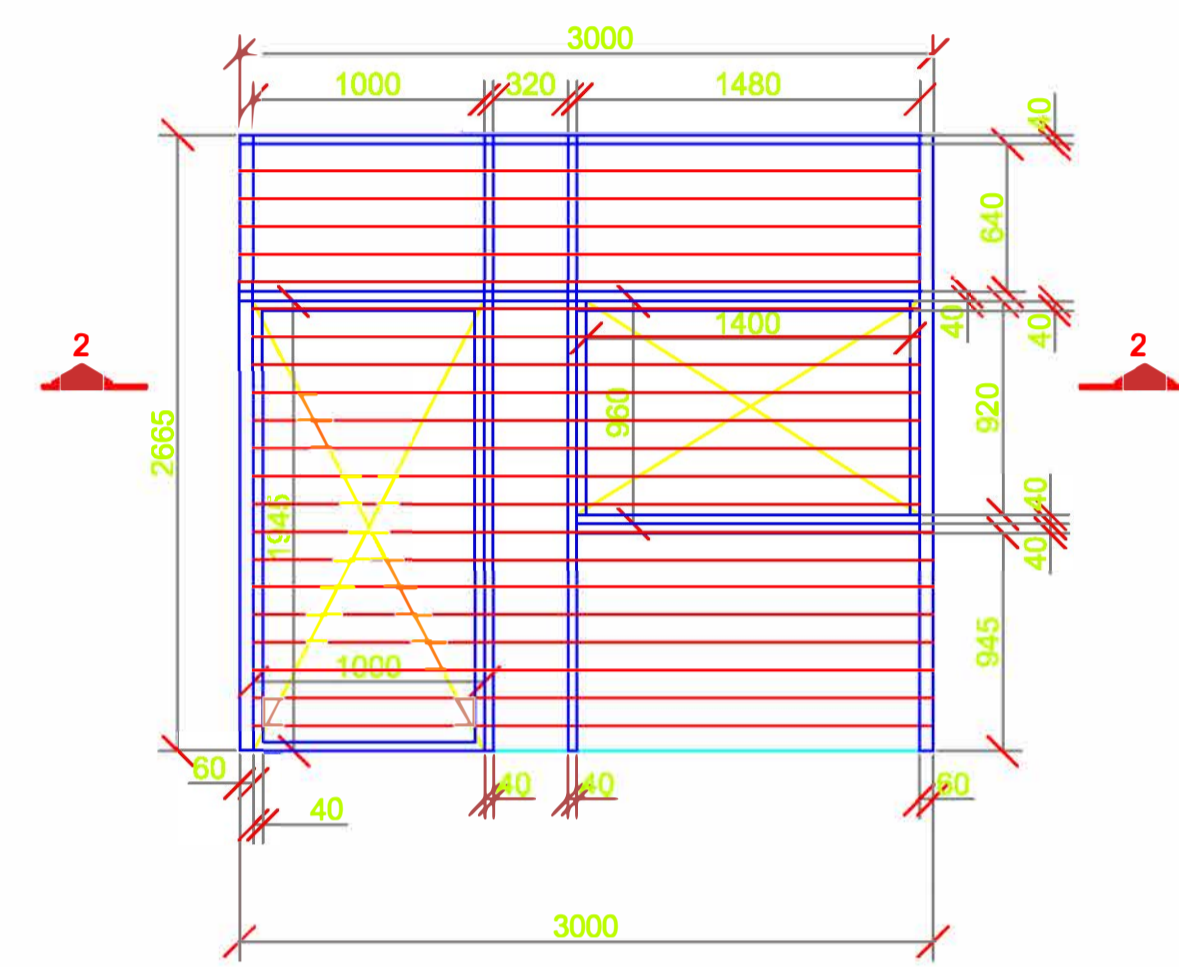
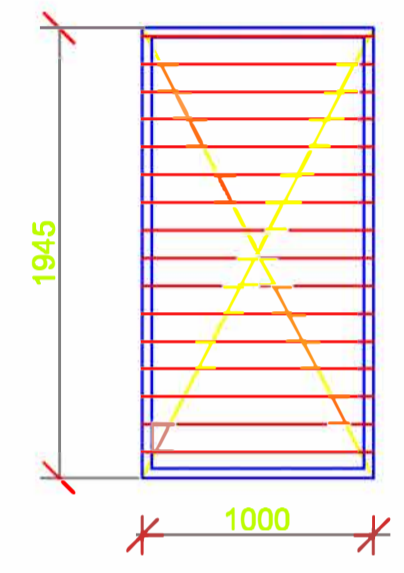


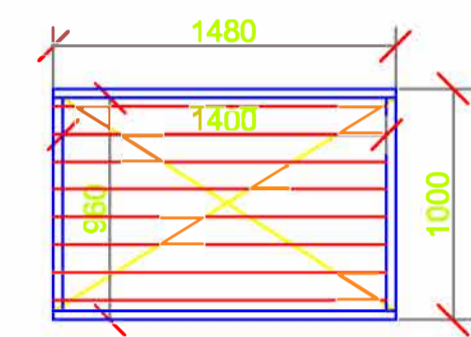
Rev 01



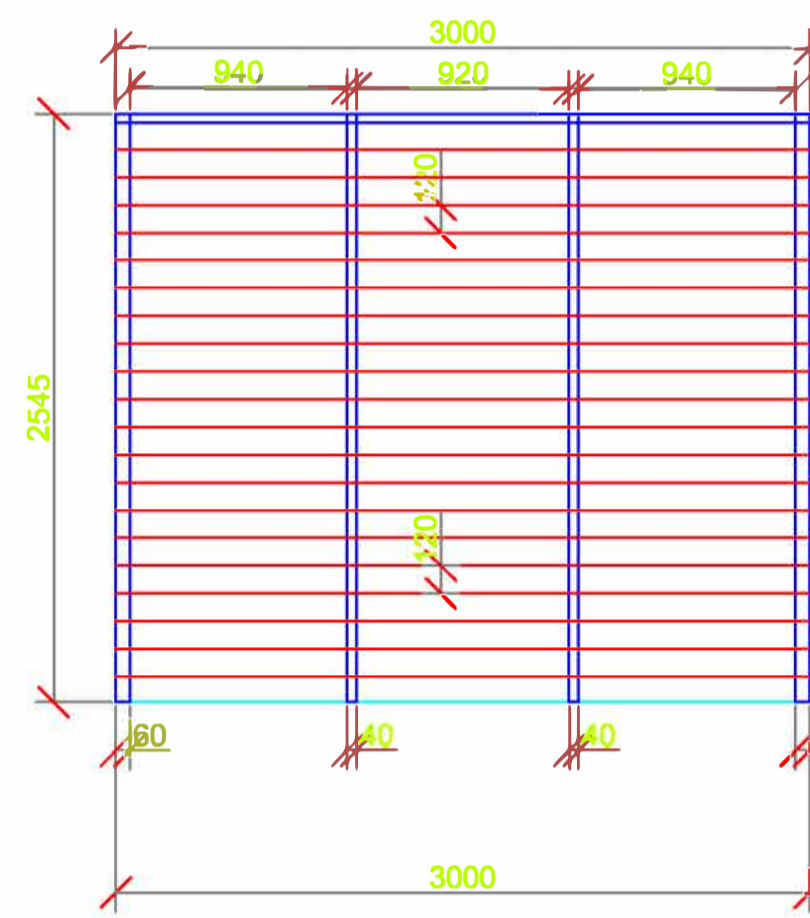
Front Elevation
Scale 1/100



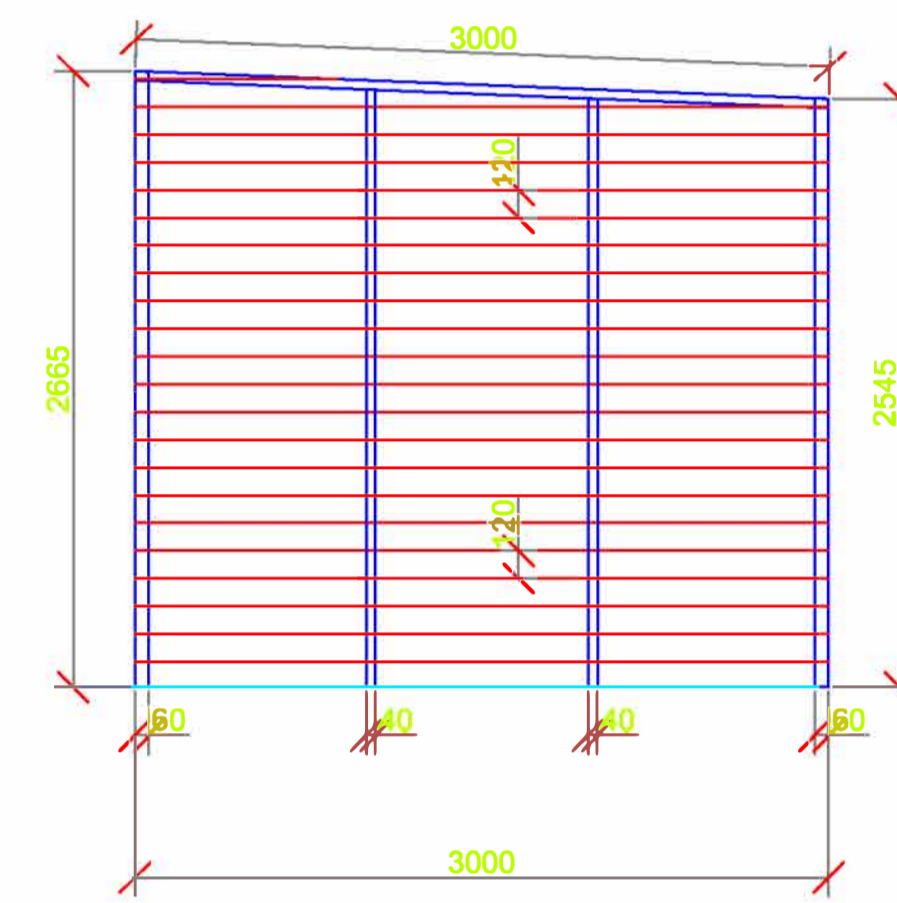
Door Detail



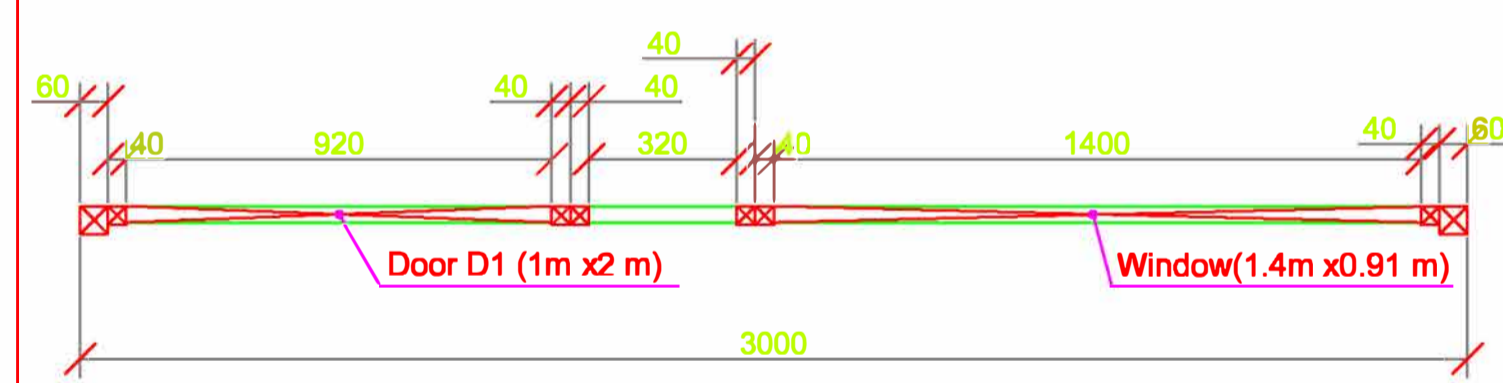
Window Detail



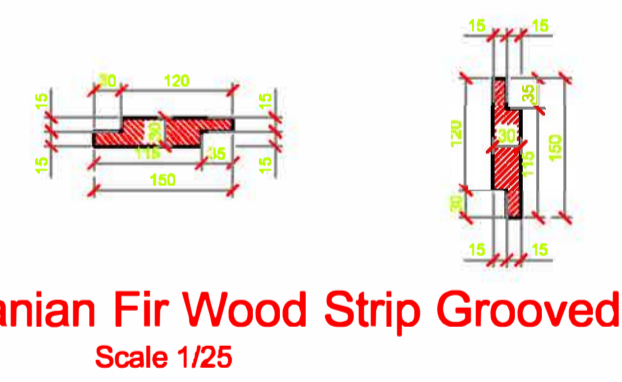
Back Elevation
Scale 1/100



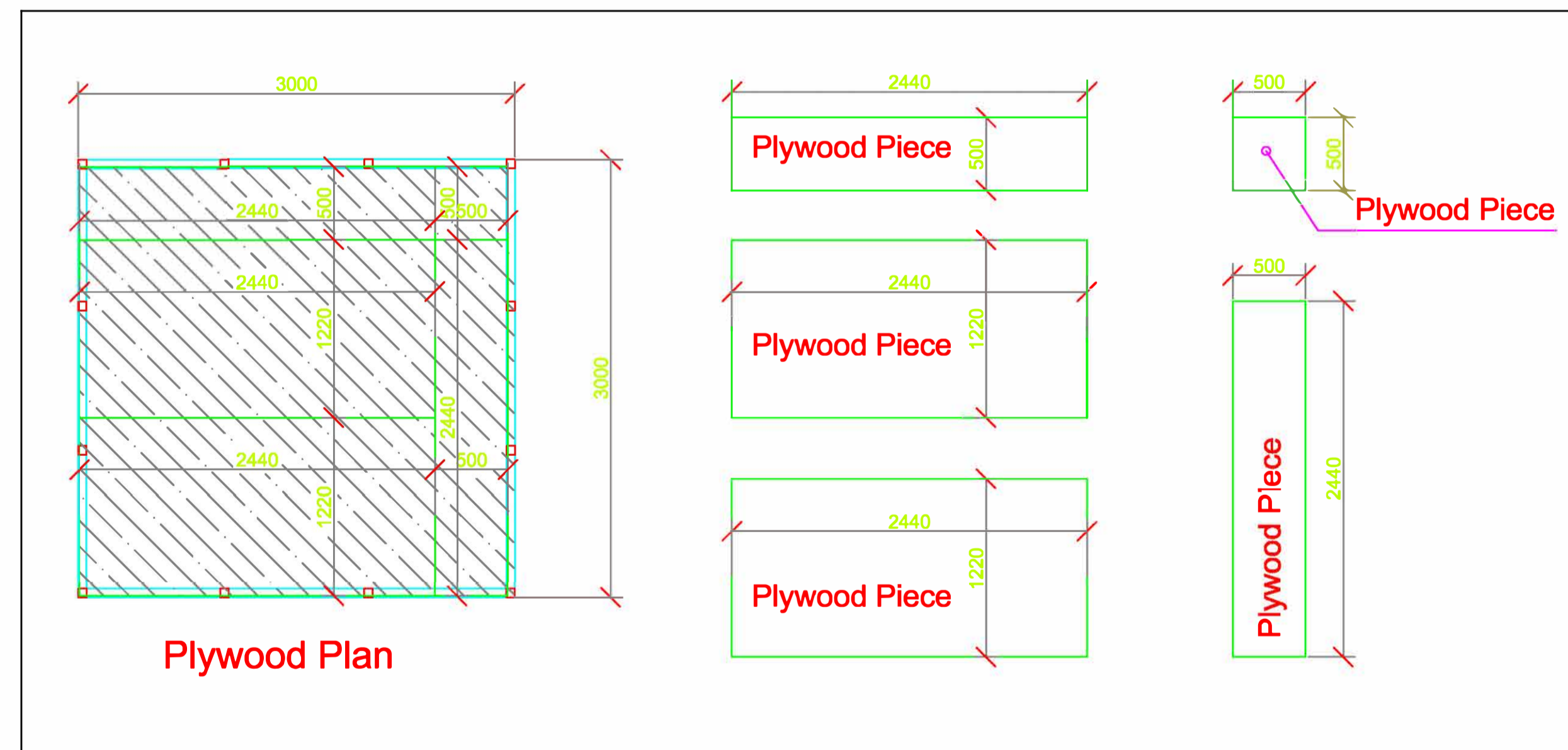
Side Elevation
Nbrs=2
Scale 1/100



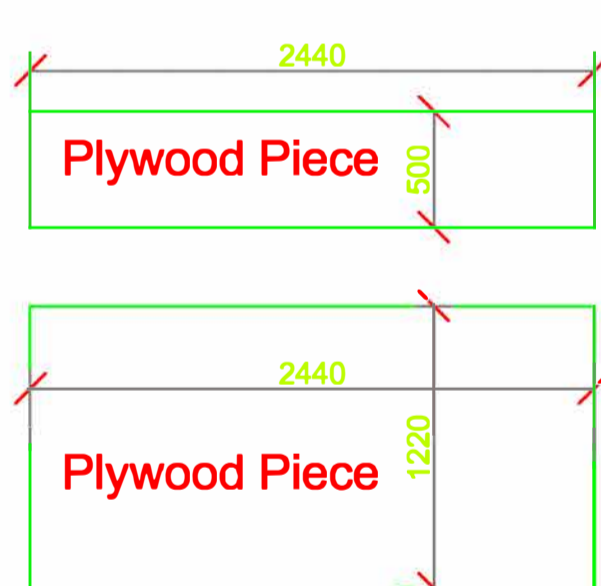
Plan Section 2-2
Scale 1/50



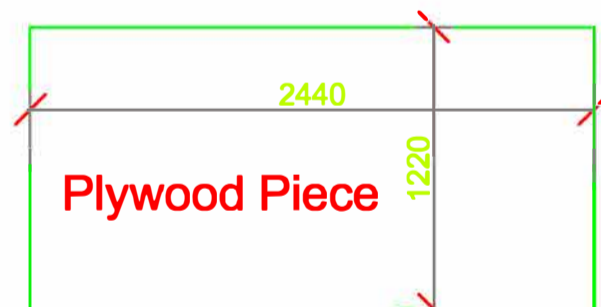
Romanian Fir Wood Strip Grooved
Scale 1/25



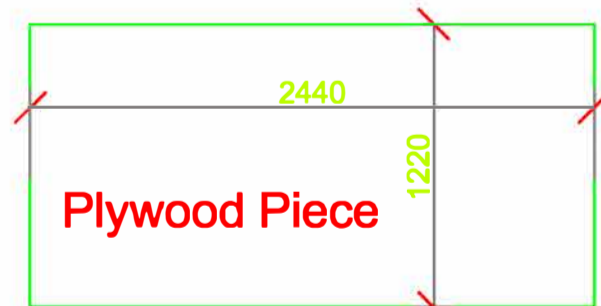
Plywood Plan



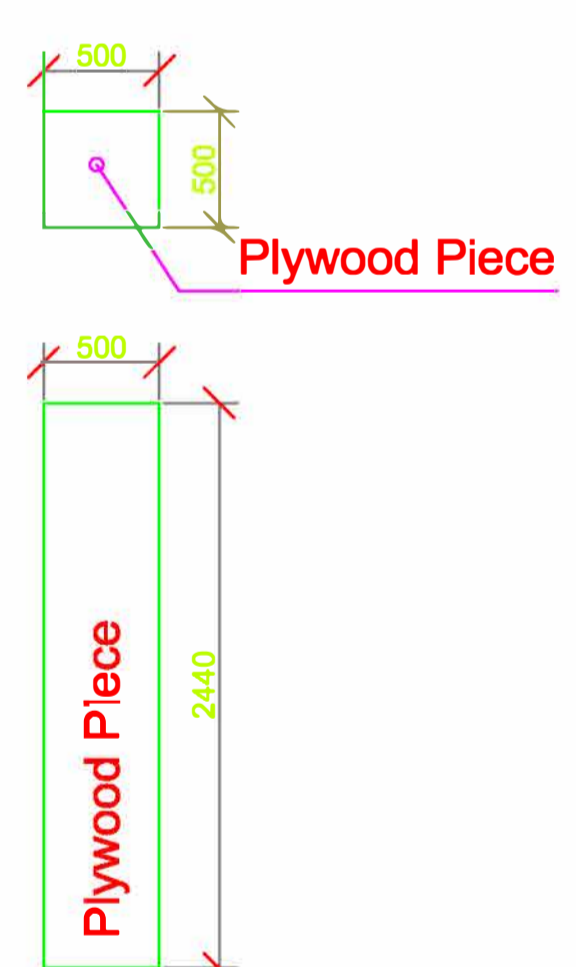
Plywood Piece



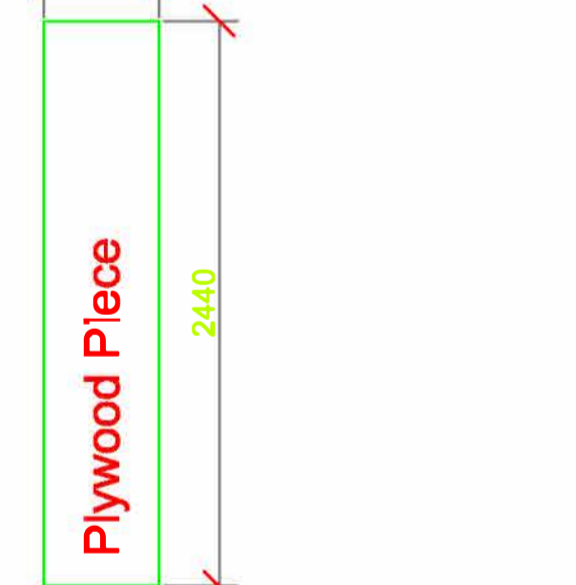
Plywood Piece



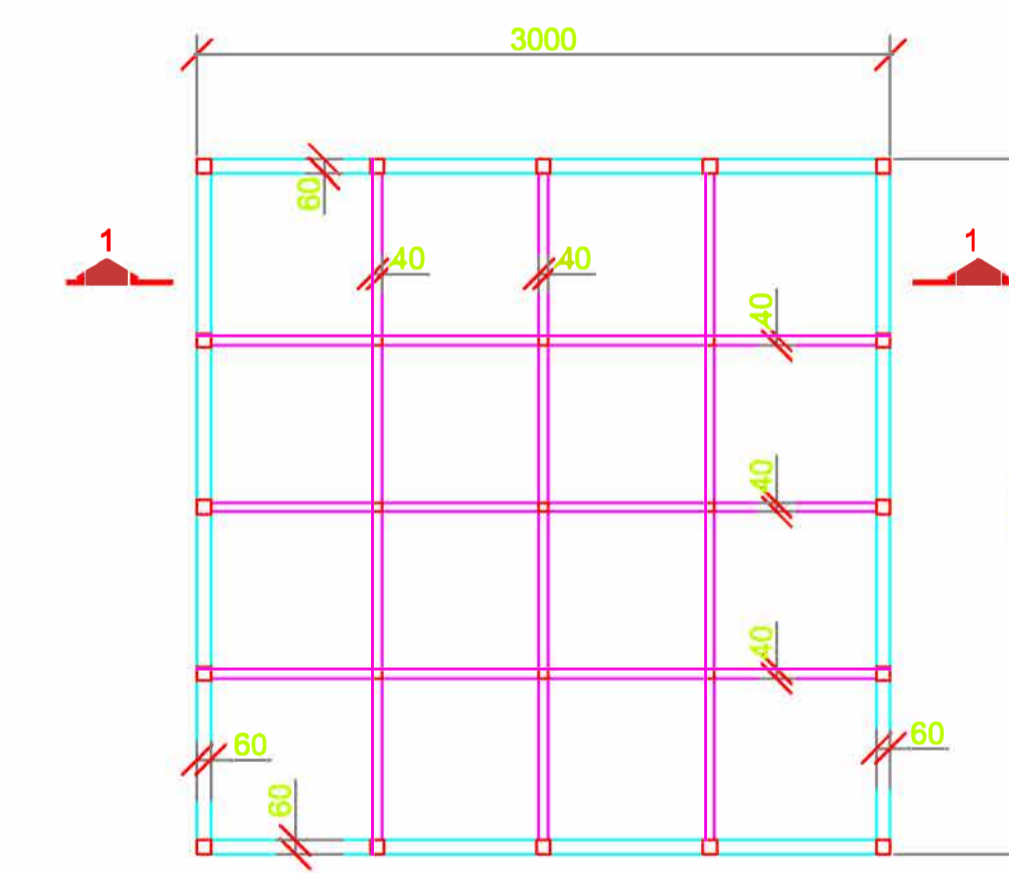
Plywood Piece



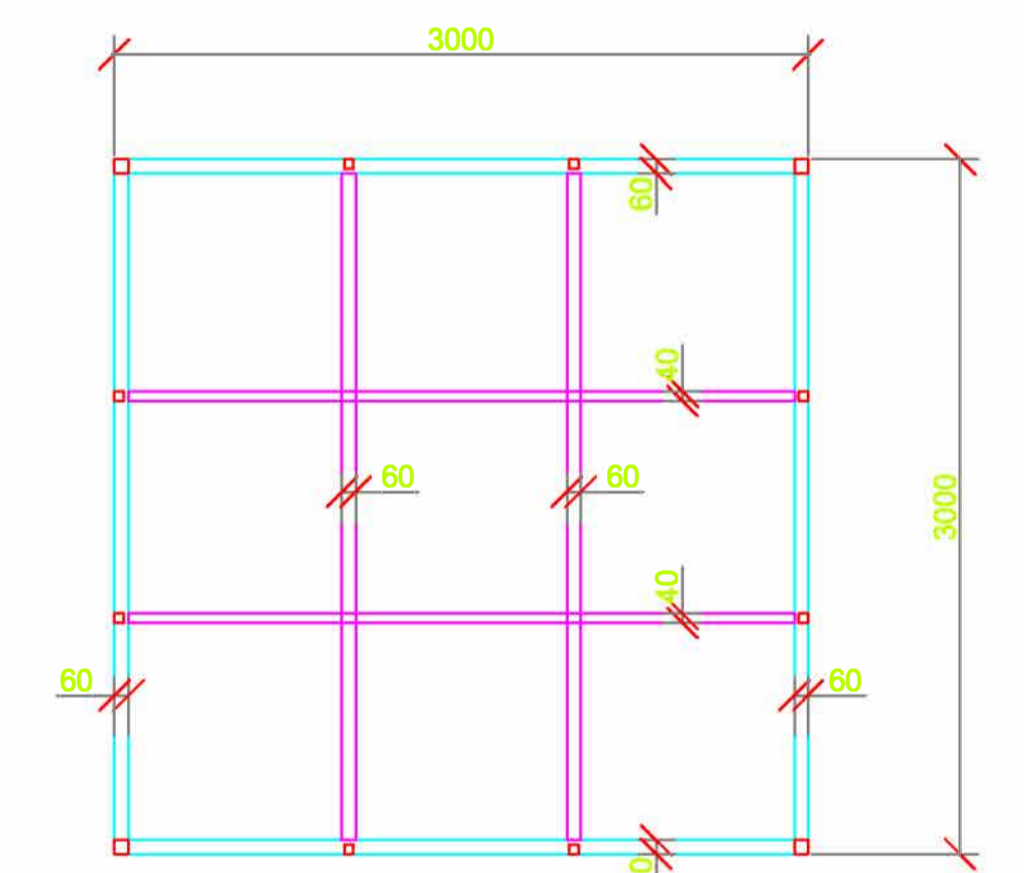
Plywood Piece



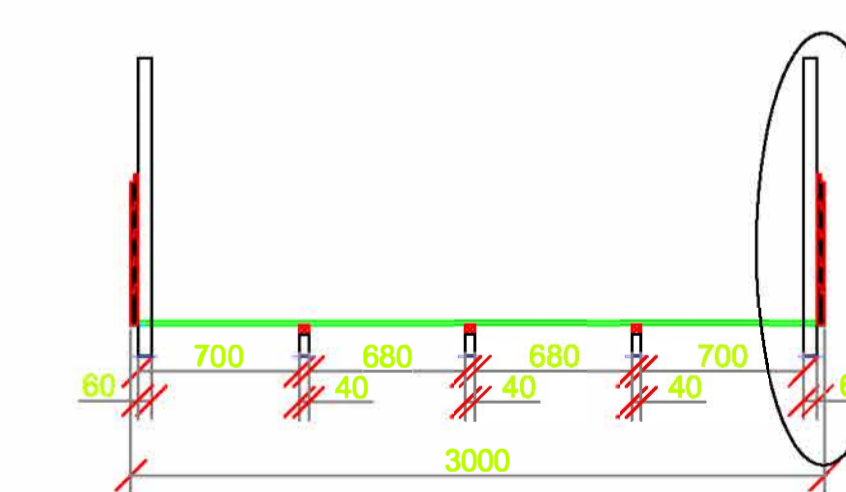
Plywood Piece



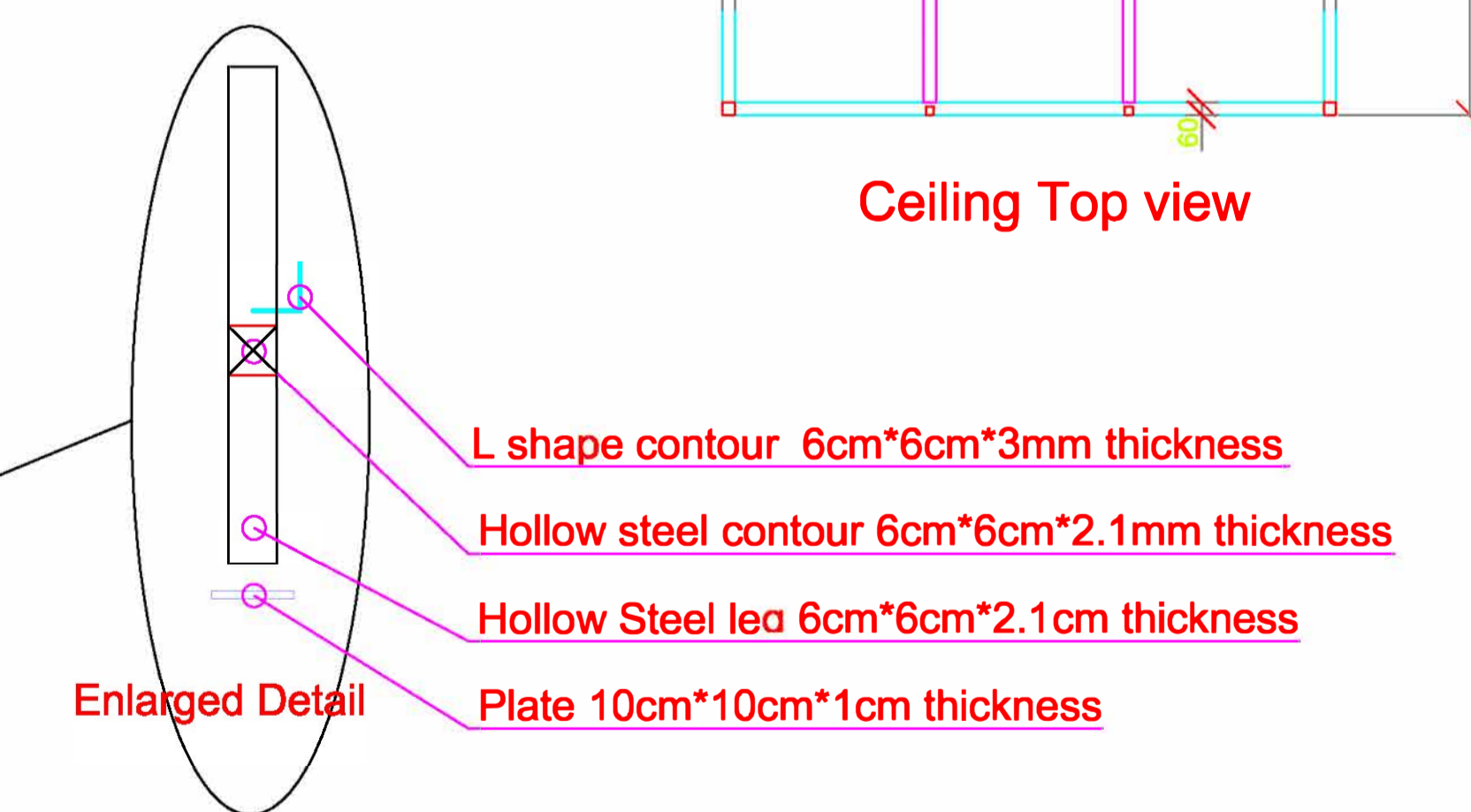
Base Top view



Ceiling Top view



Section 1-1
Scale 1/100



Enlarged Detail

- L shape contour 6cm*6cm*3mm thickness
- Hollow steel contour 6cm*6cm*2.1mm thickness
- Hollow Steel lea 6cm*6cm*2.1cm thickness
- Plate 10cm*10cm*1cm thickness

All Dimensions are in mm