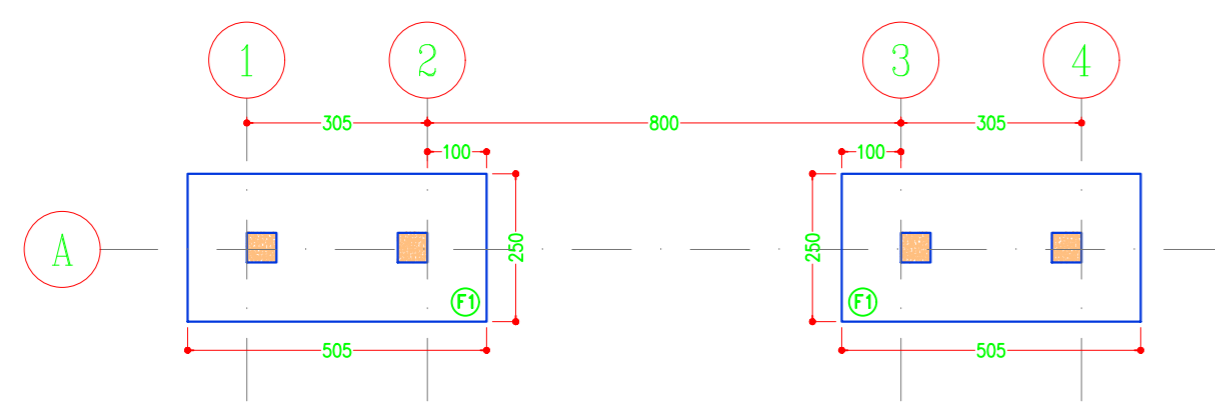


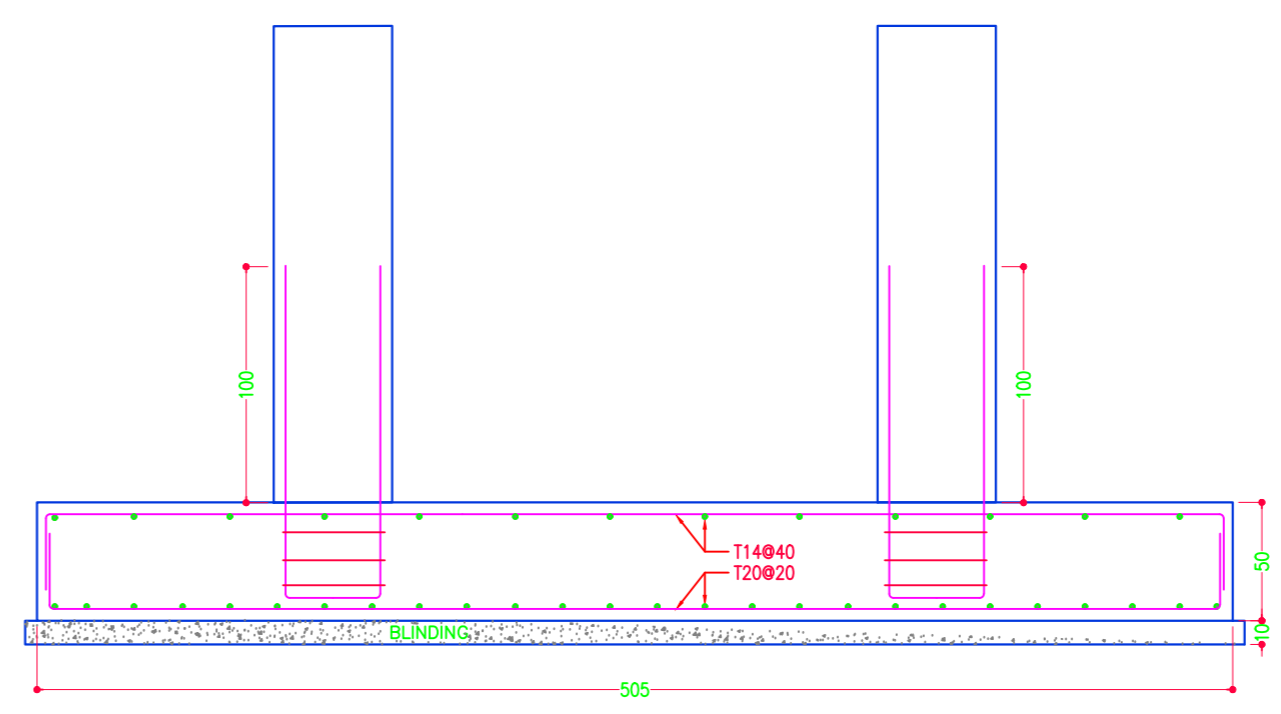
COLUMNS LAYOUT



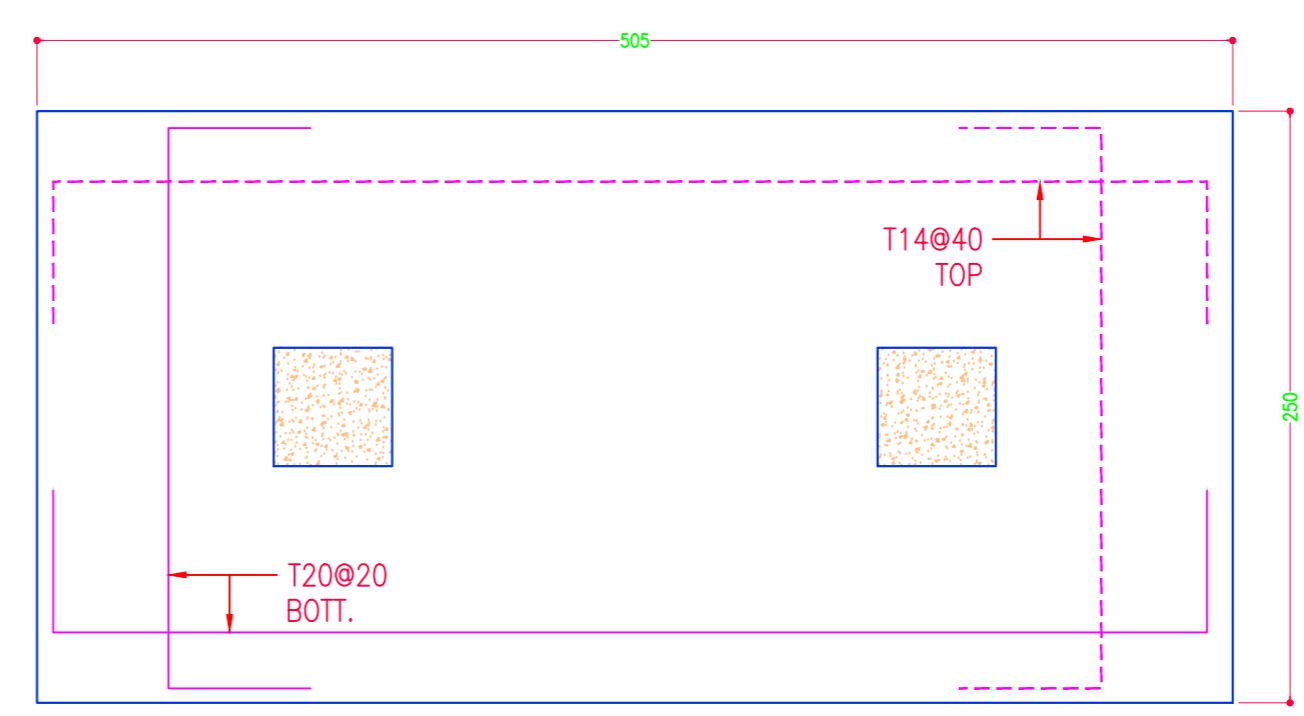
FOUNDATIONS LAYOUT

Footing Schedule

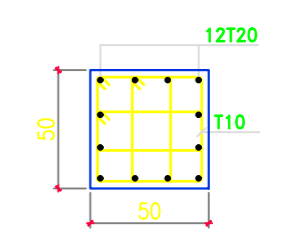
Footing	nb	Ftg Dimensions			Bottom Reinf		Top Reinf	
		A(cm)	B(cm)	D(cm)	R1(//A)	R2(//B)	R3(//A)	R4(//B)
F1	2	250	505	50	T20@20,L=320 nb=25	T20@20,L=570 nb=13	T14@40,L=320 nb=13	T14@40,L=570 nb=7



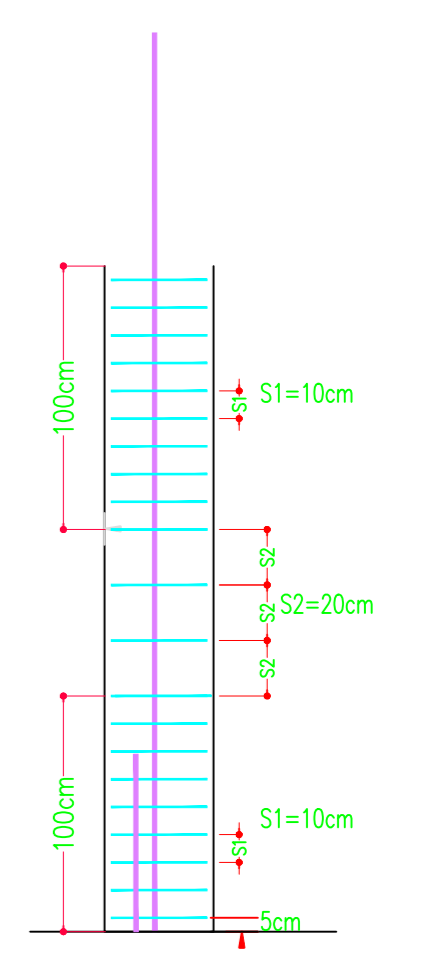
FOOTINGS F1 - ELEVATION
SCALE 1/25



FOOTINGS F1 - PLAN
SCALE 1/25



COLUMN SECTION - C1



COLUMN ELEVATION
SHEAR LINKS DISTRIBUTION