

Project

DBAYEH PLAYGROUND AND Playground

Client



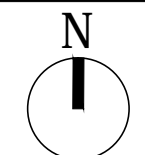
Architect and Landscape architectL



General Notes

- All dimensions to be checked on site before construction.
- Written dimensions to be followed in preference to scaled dimensions.
- All errors and omissions to be reported to the landscape architect.
- All quantities given in the Bill of Quantities are estimates to be confirmed by contractor.

Direction



Revision	Subject	Date	Remarks
--			
--			
--			

Scale

N.T.S.

Date

July 2018

Drawing Title

Playground
Cover Page

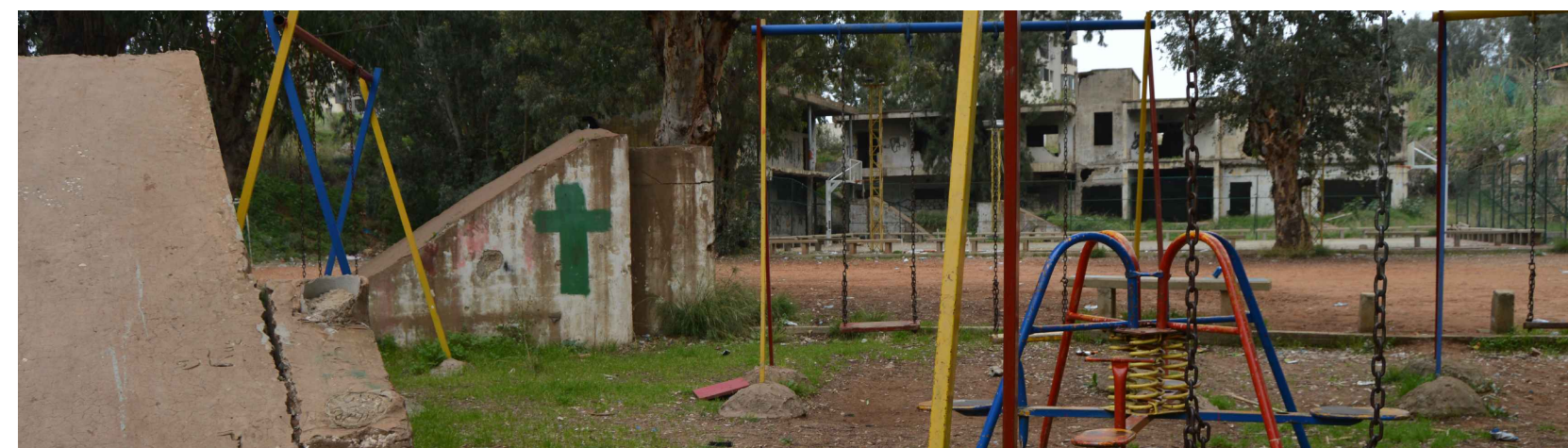
Drawing Number

AH-DB-GAR-1000

Dbayeh Playground

Design development (50%)
Rev 00

July 2018



Project

DBAYEH PLAYGROUND AND Playground

Client



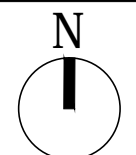
Architect and Landscape architectL



General Notes

- All dimensions to be checked on site before construction.
- Written dimensions to be followed in preference to scaled dimensions.
- All errors and omissions to be reported to the landscape architect.
- All quantities given in the Bill of Quantities are estimates to be confirmed by contractor.

Direction



Revision	Subject	Date	Remarks
--			
--			
--			

Scale

1/50

Date

July 2018

Drawing Title

Playground
List of drawings

Drawing Number

AH-DB-GAR-LD000

GENERAL LAYOUTS

AH-DB-GAR-L000
AH-DB-GAR-LD100
AH-DB-GAR-GN100

Cover Page
List of Drawings
General notes

N.T.S. A2
N.T.S. A2
N.T.S. A2

GENERAL PLANS

AH-DB-GAR-MP100
AH-DB-GAR-LP100
AH-DB-GAR-D100

Master plan
Softscape plan
Demolition plan

1/100 A2
1/100 A2
1/100 A2

BLOWUP PLANS

AH-DB-GAR-L400
AH-DB-GAR-L401a
AH-DB-GAR-L401b
AH-DB-GAR-L402a
AH-DB-GAR-L402b
AH-DB-GAR-L402c

Play equipments
Concrete slides
Tree house - Axo
Gradin General section
Gradin Details
Concrete curb

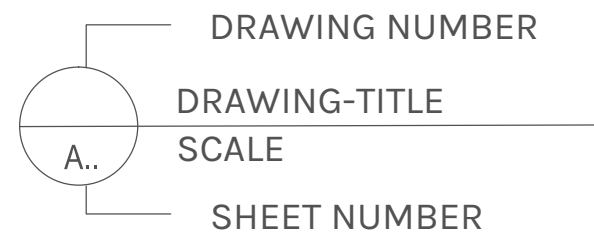
1/20 A3
1/20 A3
1/20 A3
1/50 A3
1/10 A3
1/10 A3

GENERAL :

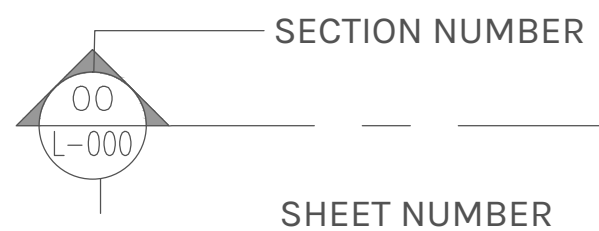
1. THIS DRAWING IS THE COPYRIGHT OF ATELIER HAMRA S.A.R.L. OFFICE (LEBANON) AND MUST NOT BE RETAINED, COPIED OR USED WITHOUT THE ABOVE CONSULTANT'S AUTHORITY.
2. DO NOT SCALE FROM THE DRAWINGS.
3. ALL DIMENSIONS ARE IN MILLIMETERS AND LEVELS IN METERS UNLESS NOTED OTHERWISE. ALL DIMENSIONS TO BE VERIFIED ON SITE & APPROVED BY THE LANDSCAPE ARCHITECT .
4. THIS DRAWING SHOULD BE READ IN CONJUNCTION WITH OTHER RELEVANT ARCHITECTURAL, STRUCTURAL, MECHANICAL AND ELECTRICAL DRAWINGS AND ALL RELEVANT SECTIONS OF THE SPECIFICATIONS.
5. THE CONTRACTOR SHALL CONDUCT HIS OWN SITE SURVEY OF THE EXISTING GROUND AND CURB ELEVATIONS (LEVELS) AND REPORT ACTUAL ELEVATIONS (LEVELS) TO THE ENGINEER.
6. CONTRACTOR TO SEND SHOP DRAWINGS OF COORDINATES FOR ARCS, CENTERS AND RADIUS DIMENSIONS.
7. ALL DIMENSIONS TO BE CHECKED ON SITE BEFORE CONSTRUCTION. WRITTEN DIMENSIONS TO BE FOLLOWED IN PREFERENCE TO SCALED DIMENSIONS.
8. ALL QUANTITIES GIVEN IN THE BILL OF QUANTITIES ARE ESTIMATES TO BE CONFIRMED BY CONTRACTOR.
9. MINIMUM SOIL DEPTH REQUIRED FOR PLANTING ON SLAB : TREE - 1 METER , SHRUBS - 50 CM AND FOR LAWN - 25 CM.
10. ALL ERRORS AND OMISSIONS TO BE REPORTED TO THE LANDSCAPE ARCHITECT.
11. THE DRAWING INDICATES THE LANDSCAPE ARCHITECTURAL CONCEPT AND DESIGN INTENT ONLY. ALL STRUCTURE AND MEP SERVICES SHOWN ARE PURELY INDICATIVE AND MUST BE VERIFIED AND COORDINATED BY QUALIFIED AGENCIES PRIOR TO THE COMMENCEMENT OF ANY WORK ON SITE.

LANDSCAPE ARCHITECTURE DRAWING SYMBOLS

DRAWING TITLE



SECTION SYMBOL



DRAWINGS:

- THE SETTING OUT OF THE HARDSCAPE VARIES ACCORDING TO THE ARCHITECTURAL DRAWINGS.
- IN TYPICAL DRAWINGS, THE LEVEL OF THE FINISHING FLOOR IS (+0.00) AND SHOULD BE TAKEN RELATIVELY WITH THE FINISHING LEVEL OF THE SITE.
- THE SOIL LEVEL IS (-3CM) FROM THE FINISHING FLOOR LEVEL OR TOP OF WALL LEVEL.
- THE GRAVEL LEVEL IS (-1CM) FROM THE FINISHING FLOOR LEVEL OR TOP OF WALL LEVEL.
- THE PLANTATION DIFFERS ACCORDING TO CLUSTER COLOR AND IS NOT SPECIFIED IN TYPICAL DRAWINGS. FOR SOFTSCAPE DETAILS REFER TO THE GENERAL SOFTSCAPE DRAWINGS (LP100)

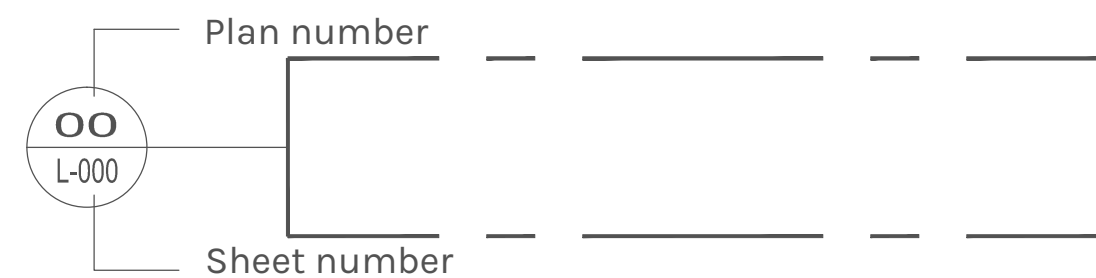
SCHEDULES:

- FOR SOFTSCAPE SPECIFICATION REFER TO SCHEDULE SHEET
- FOR HARDSCAPE AND URBAN FURNITURE REFER TO SCHEDULE SHEET
- FOR LIGHTING SPECIFICATION REFER TO SCHEDULE SHEET

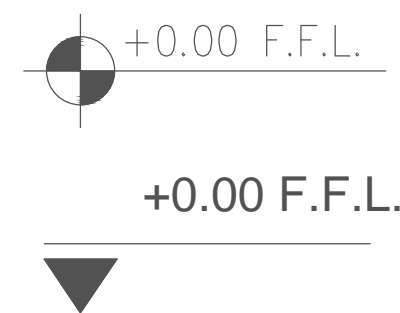
ABBREVIATIONS

W.L.	WATER LEVEL
F.F.L.	FINISH FLOOR LEVEL
S.L.	SOIL LEVEL
T.O.W.	TOP OF WALL

CROSS REFERENCING SYMBOL



LEVELS SYMBOLS



Project

DBAYEH PLAYGROUND AND Playground

Client



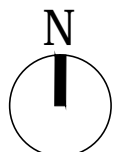
Architect and Landscape architectL



General Notes

- All dimensions to be checked on site before construction.
- Written dimensions to be followed in preference to scaled dimensions.
- All errors and omissions to be reported to the landscape architect.
- All quantities given in the Bill of Quantities are estimates to be confirmed by contractor.

Direction



Revision	Subject	Date	Remarks
--			
--			
--			

Scale

N.T.S.

Date

July 2018

Drawing Title

Playground
General notes

Drawing Number

AH-DB-GAR-GN000

Project

DBAYEH PLAYGROUND AND LIBRARY

Client



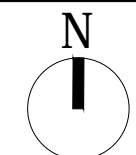
Architect and Landscape architectL



General Notes

- All dimensions to be checked on site before construction.
- Written dimensions to be followed in preference to scaled dimensions.
- All errors and omissions to be reported to the landscape architect.
- All quantities given in the Bill of Quantities are estimates to be confirmed by contractor.

Direction



Revision	Subject	Date	Remarks
--			
--			
--			

Scale

1/100

Date

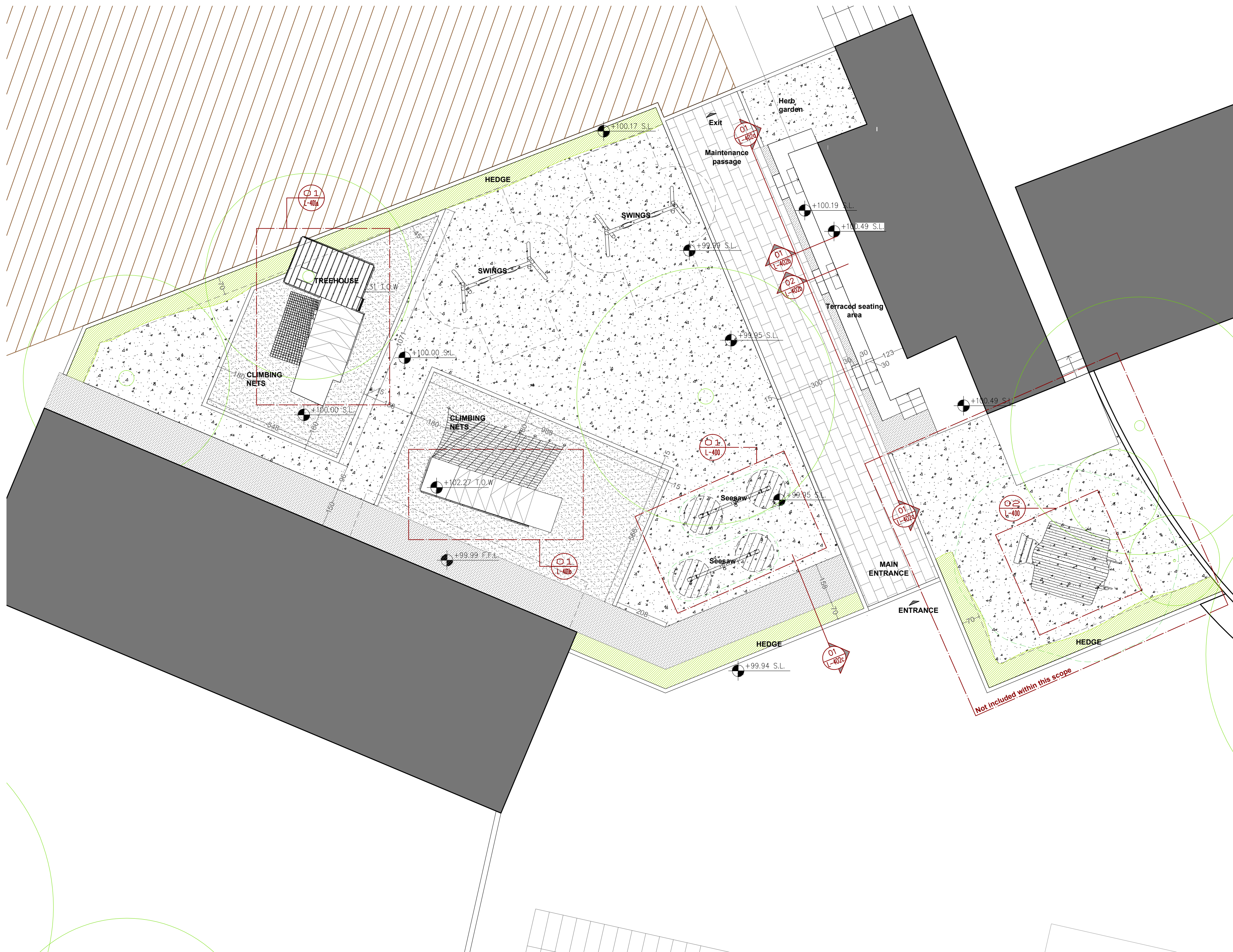
July 2018

Drawing Title

Playground
Master Plan

Drawing Number

AH-DB-GAR-MP100



Project

DBAYEH PLAYGROUND AND Playground

Client



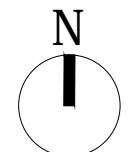
Architect and Landscape architectL

atelier
HAMRA

General Notes

- All dimensions to be checked on site before construction.
- Written dimensions to be followed in preference to scaled dimensions.
- All errors and omissions to be reported to the landscape architect.
- All quantities given in the Bill of Quantities are estimates to be confirmed by contractor.

Direction



Revision	Subject	Date	Remarks
--			
--			
--			

Scale

1/100

Date

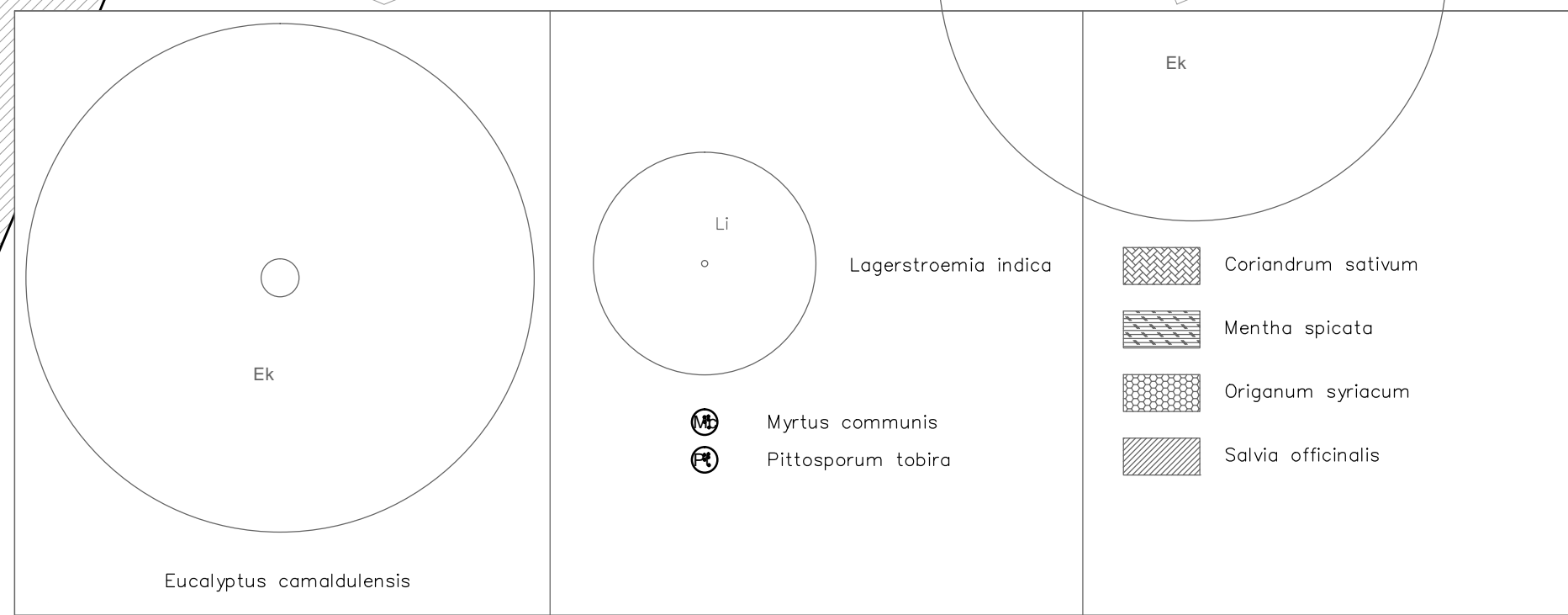
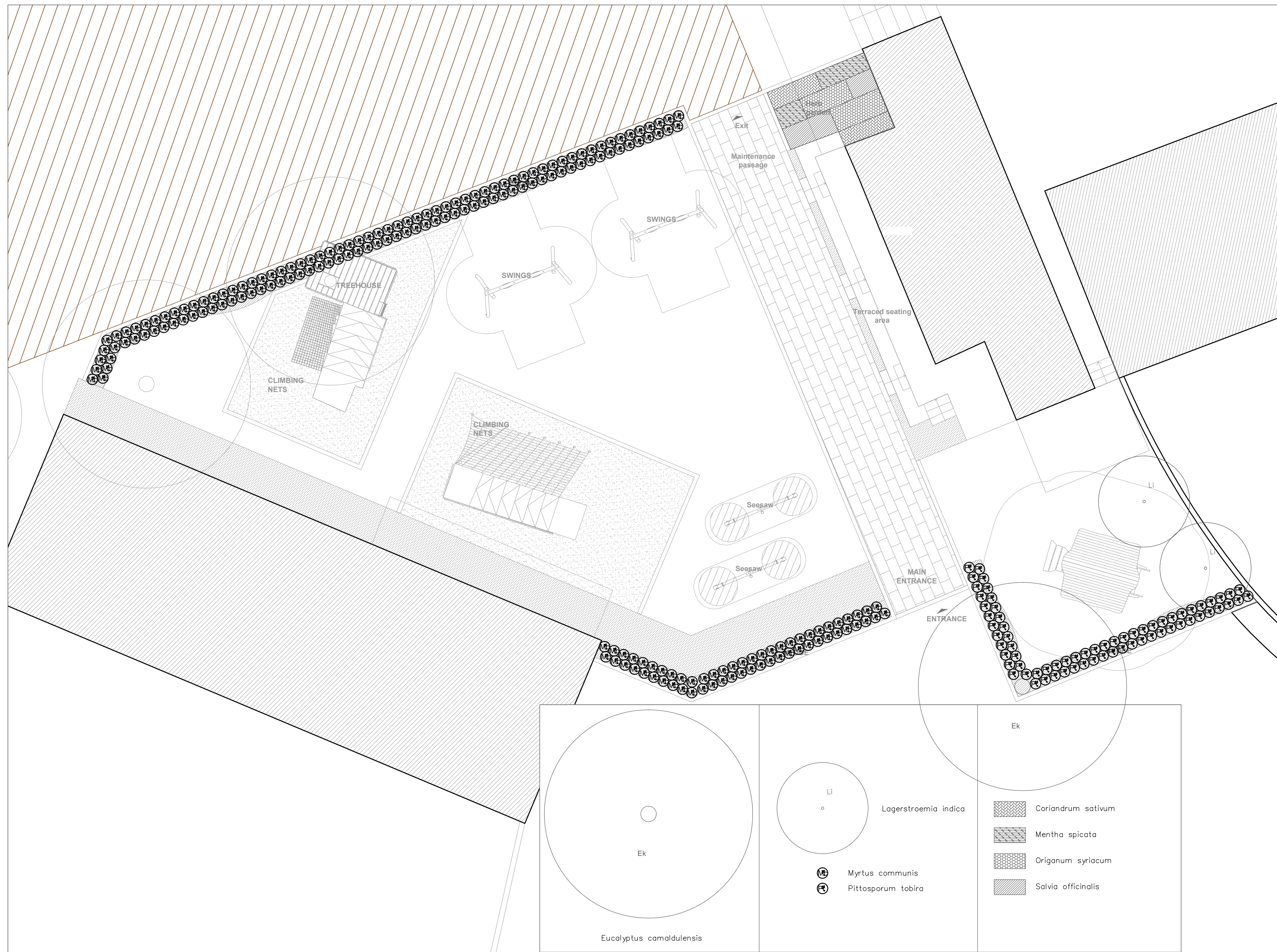
July 2018

Drawing Title

Playground
Softscape Plan

Drawing Number

AH-DB-GAR-LP100



Project

DBAYEH PLAYGROUND AND LIBRARY

Client



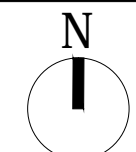
Architect and Landscape architectL



General Notes

- All dimensions to be checked on site before construction.
- Written dimensions to be followed in preference to scaled dimensions.
- All errors and omissions to be reported to the landscape architect.
- All quantities given in the Bill of Quantities are estimates to be confirmed by contractor.

Direction



Revision	Subject	Date	Remarks
--			
--			
--			

Scale

1/100

Date

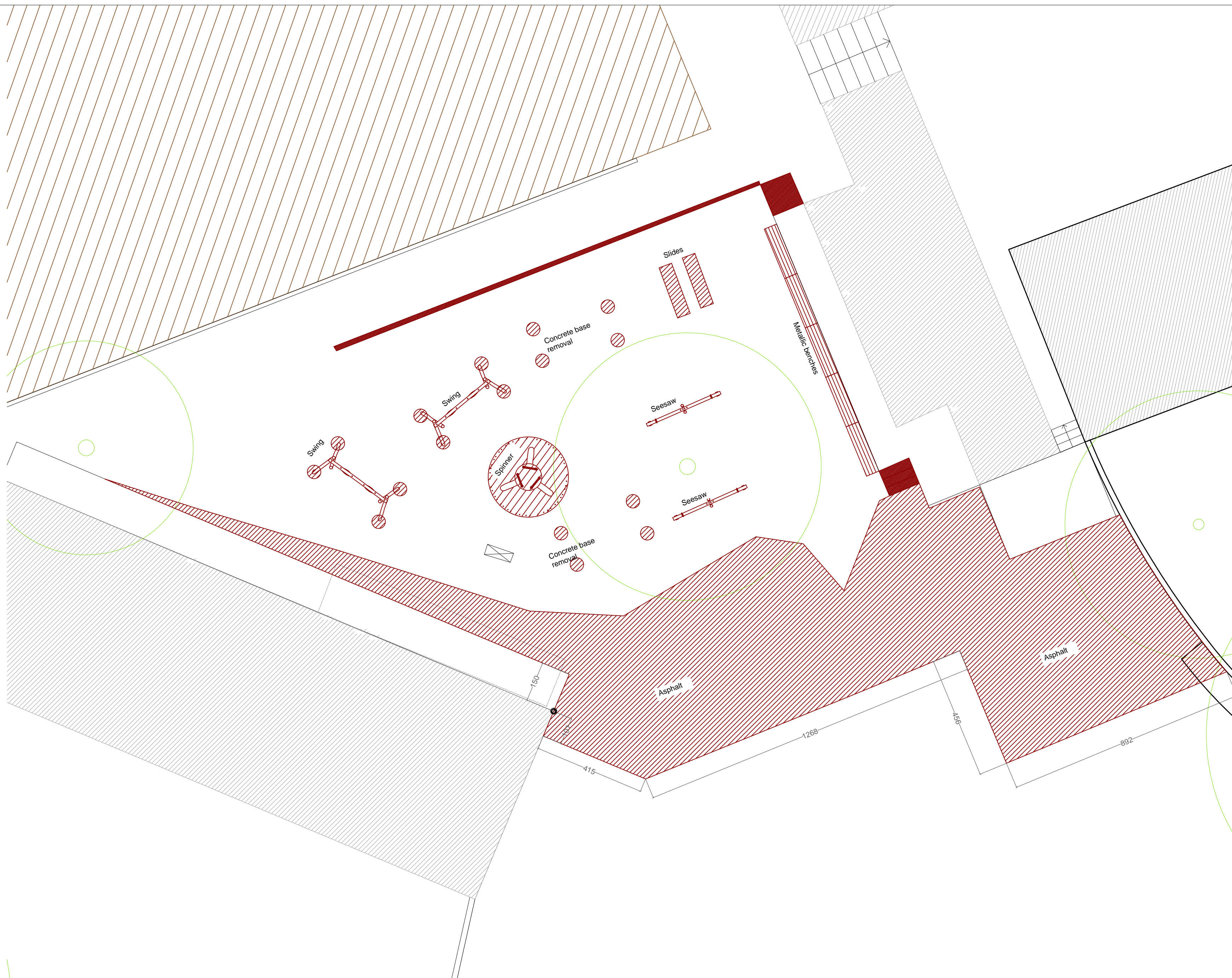
July 2018

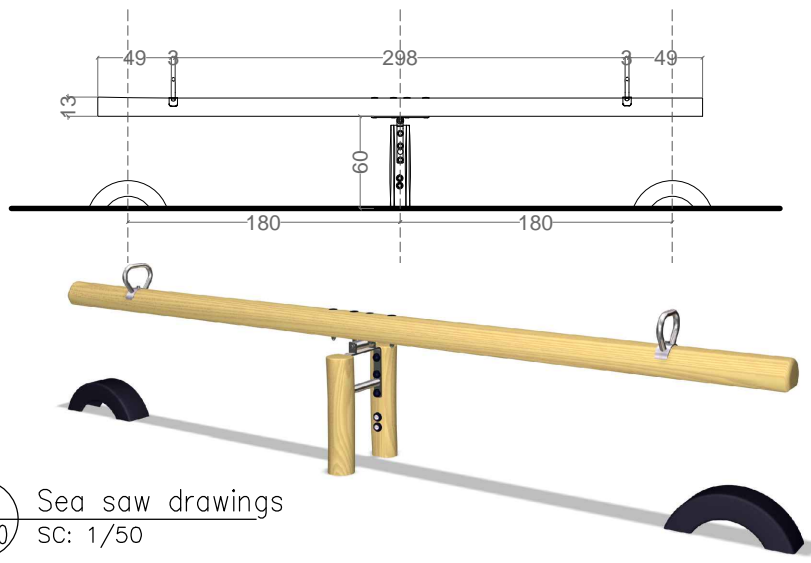
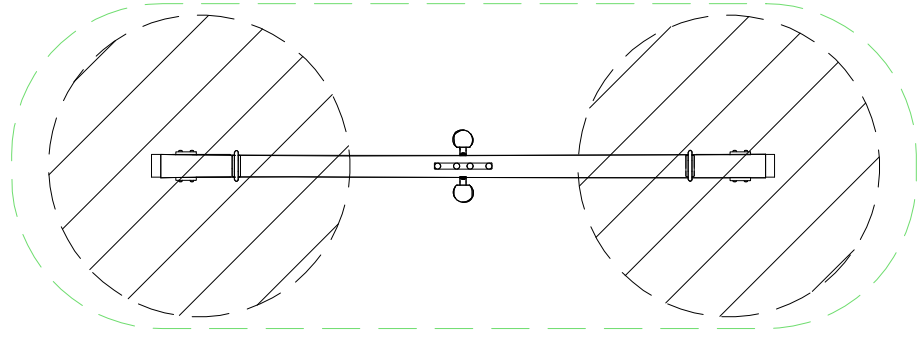
Drawing Title

Playground
Demolition plan

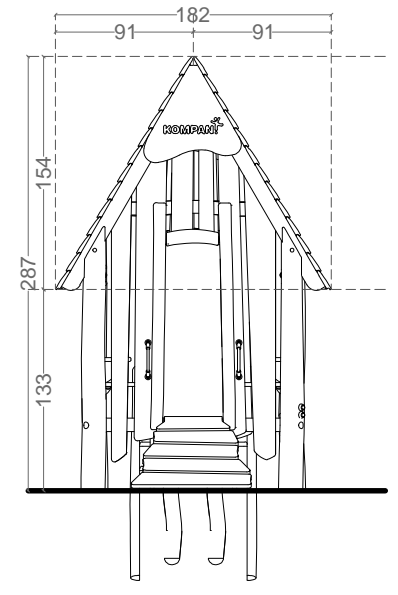
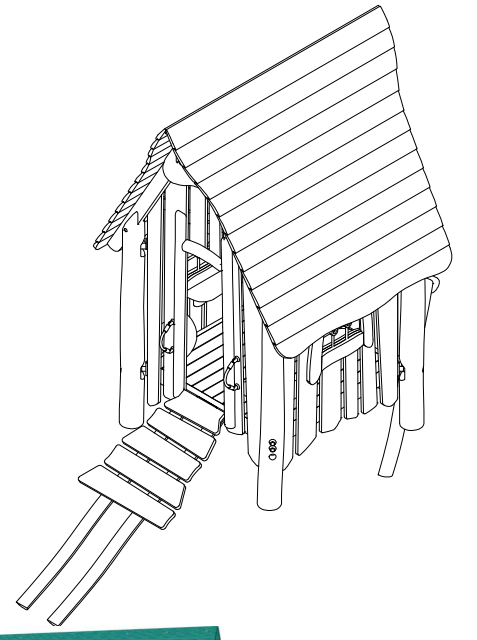
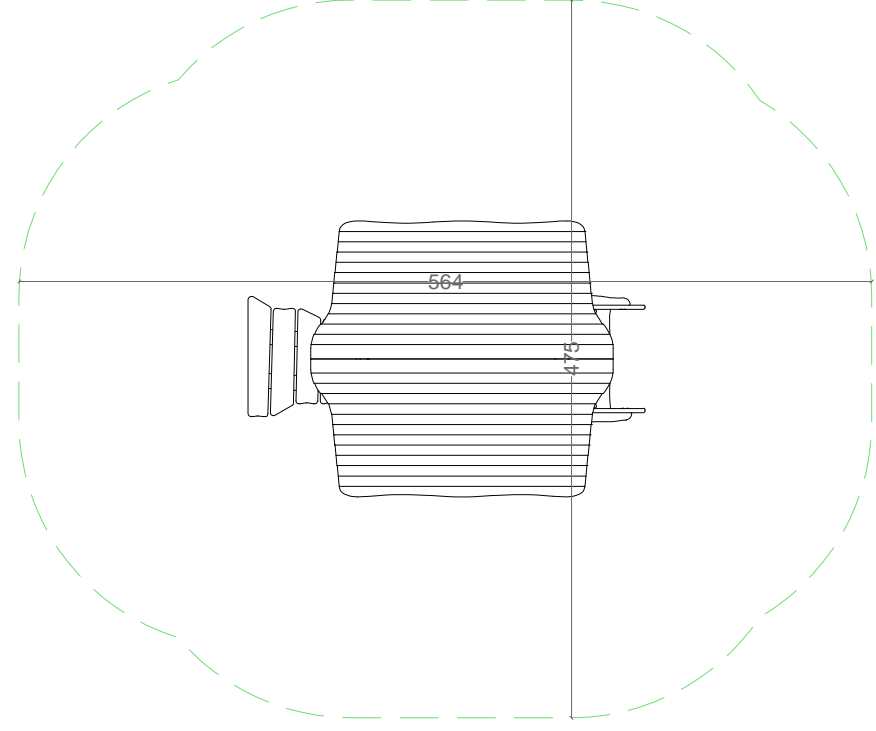
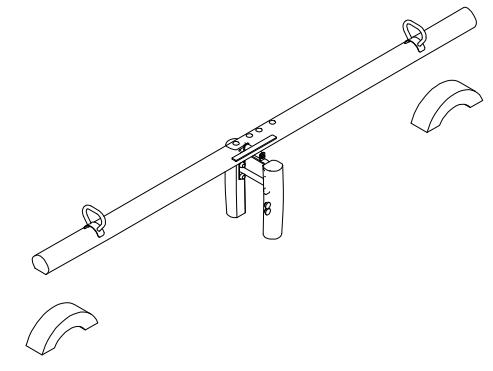
Drawing Number

AH-DB-GAR-D100

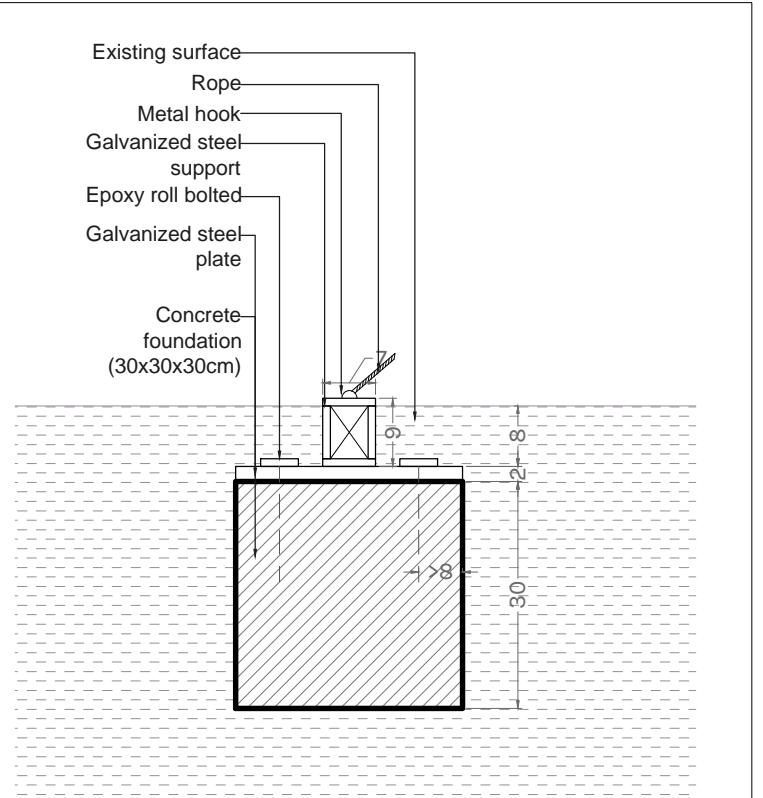




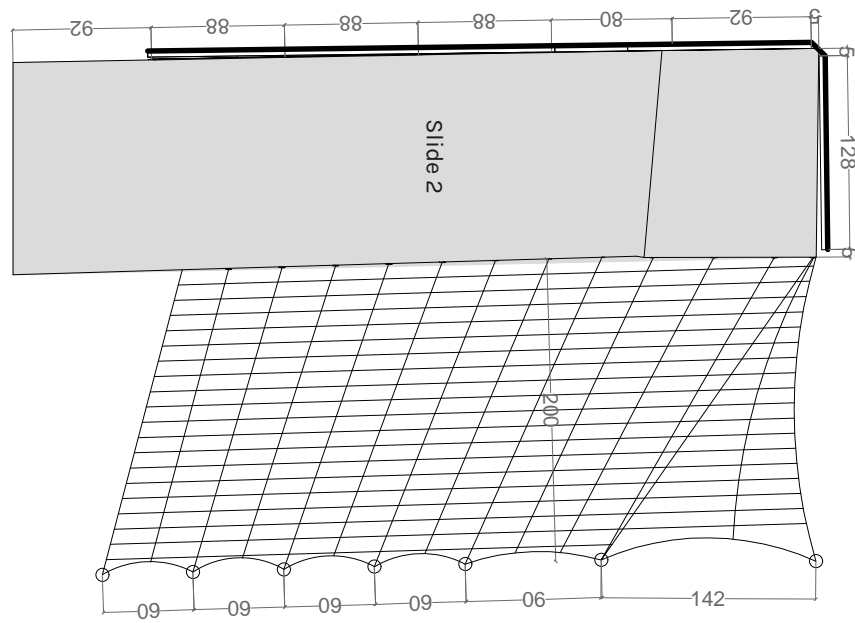
01 Sea saw drawings
L-400 SC: 1/50



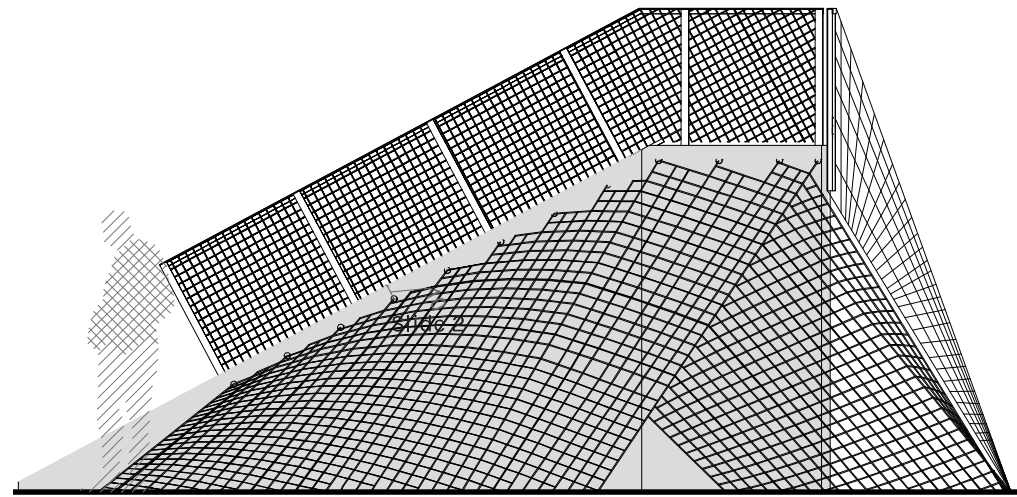
02 House
L-400 SC: 1/50



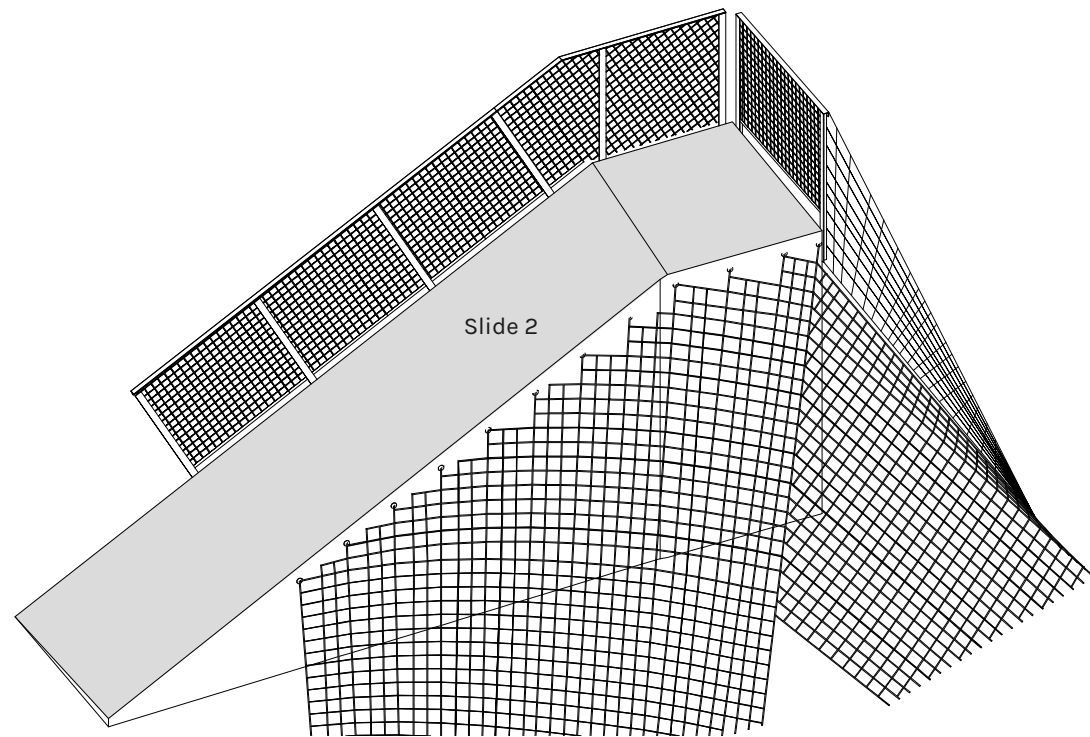
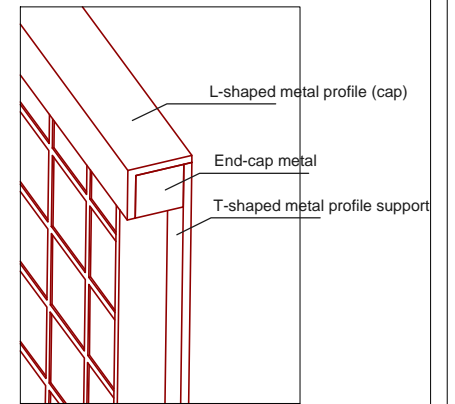
03 Typical Play equipment foundation detail
L-400 SC: 1/10



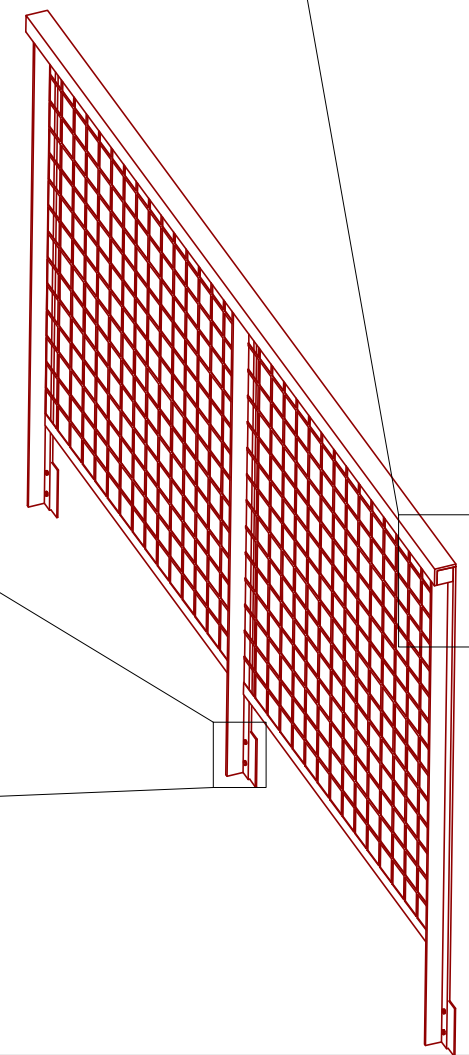
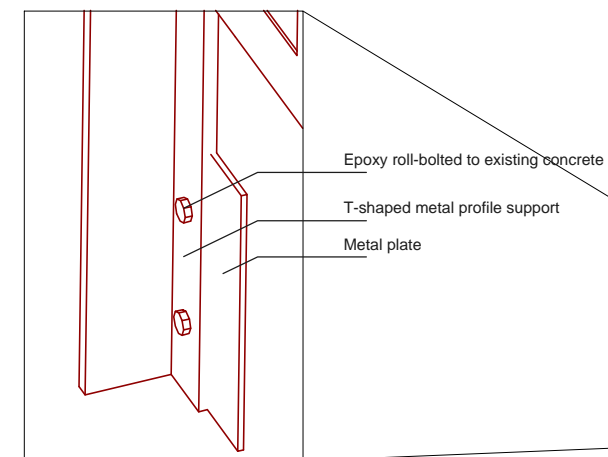
05 Plan
L-401 SC: 1/50

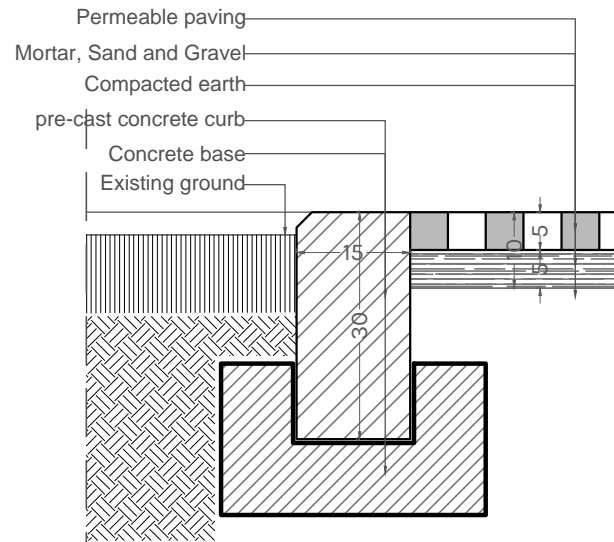


06 Elevation
L-401 SC: 1/50

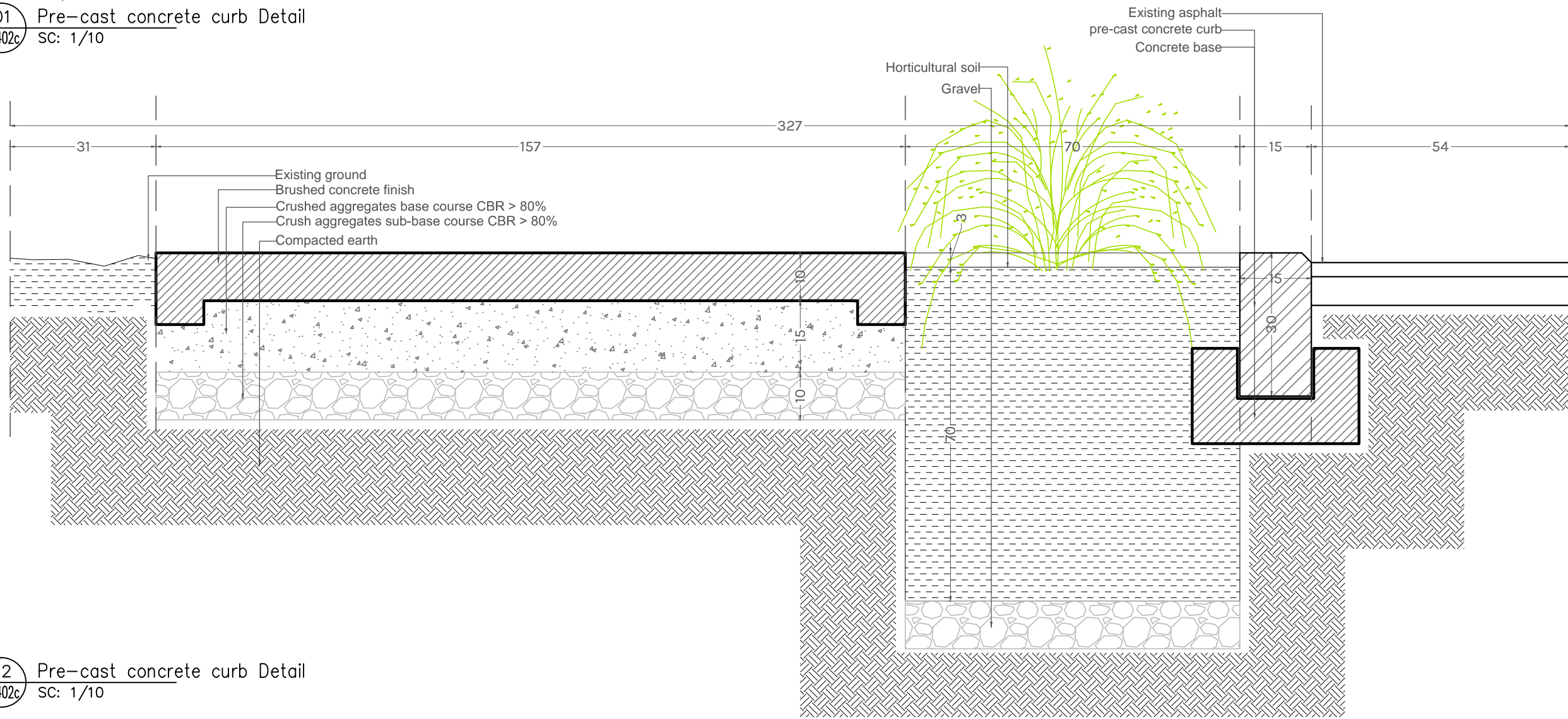


07 Axonometric
L-401 SC: 1/50





01 Pre-cast concrete curb Detail
L-402c SC: 1/10



02 Pre-cast concrete curb Detail
L-402c SC: 1/10