

REQUEST FOR QUOTATION

Wahat-Al-Farah Association for special needs, kindly request you to submit your price quotation(s) for the provision of Steel Fence as detailed below in the financial offer form of this RFQ# F-WAFSHL001-23

Request for quotation details:	
RFQ #:	F-WAFSHL001-23
RFQ Issuing Date:	Tuesday 10 January, 2023
RFQ Closing Date	January 24, 2023/4:00 p.m. Beirut Local time
Question regarding the RFQ:	All question should be submitted via email to the following email address youssef.bssawmai@gmail.com (contact person: Youssef Bssawmai)
Currency of Bid (3-letter code):	USD
Bid Validity Period (days):	120 Day
Required Delivery Date:	Before the end of February
Required Delivery Destination:	Bkeftine-El-Koura-Lebanon
Required Delivery Terms:	DDP
Payment terms :	Bank Note upon Signing the GRN

IMPORTANT NOTE

- Wahat-Al-Farah Association for special needs may choose to bid to one or two bidders based on the necessary.
- All Bids received in pencil will be disqualified.
- Wahat-Al-Farah Association for special needs reserve the right to correct any miscalculation on the bid form.
- Bids in any other currency (USD) may be disqualified.
- Prices: All Bids must include all customs and taxes payable in the country of delivery

RFQ INSTRUCTIONS

1. Submission of Bid:

One sealed envelope should be submitted in person and not by email to the Wahat al farah head office in bkeftine, Koura with the inscription: **RFQ#: F-WAFSHL001-23** do not open before: **January 24, 2023** No other inscription should be included on this envelope.

A site visit to WAHAT AL FARAH is mandatory before submitting your offer (January 11, 12, 13, 16, 17 and 18 from 9:00 for 3:00)

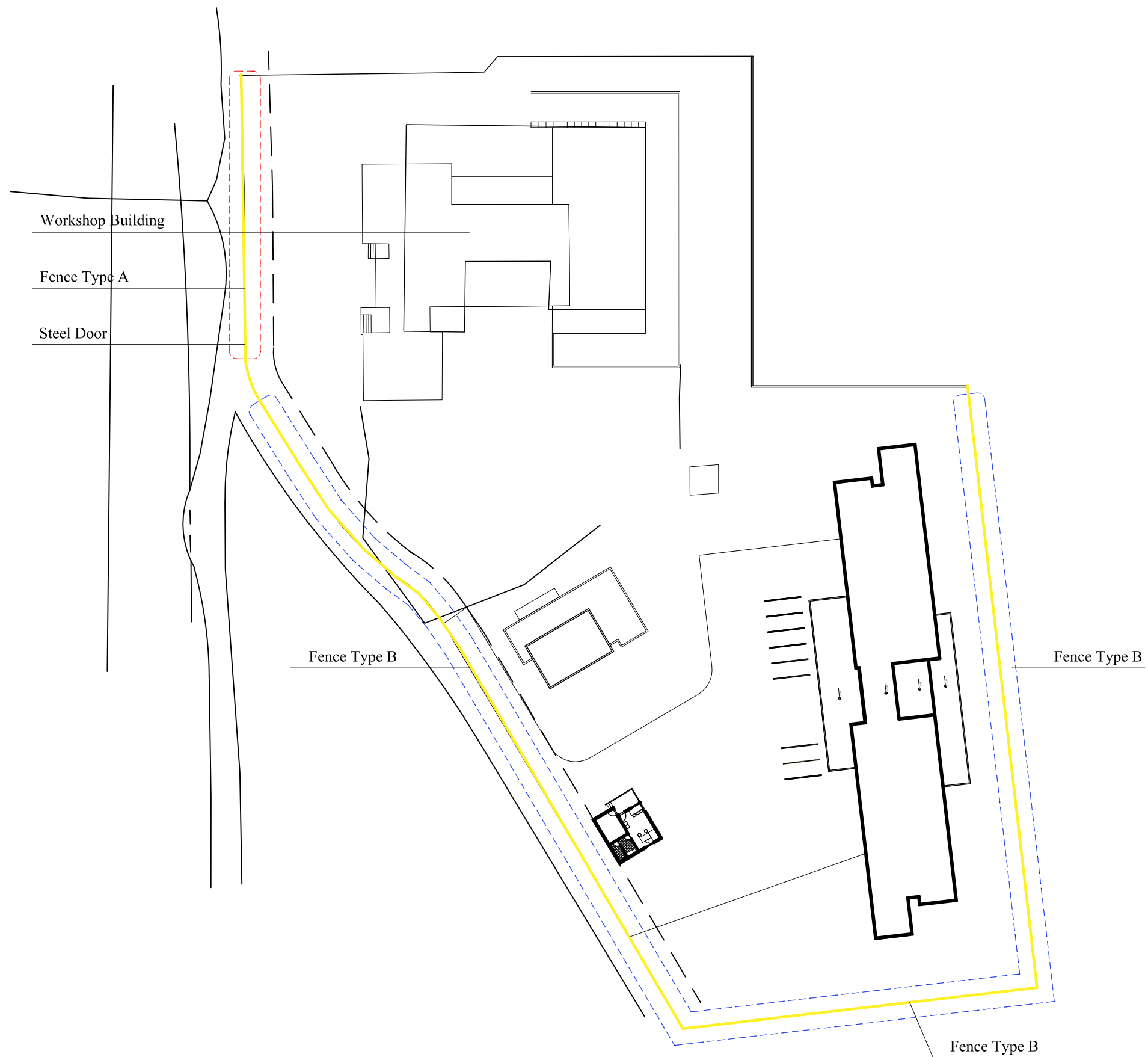
The Envelope should include the following Documents:

1. This RFQ **all the pages should be signed and stamped.**
2. Data sheet for the proposed items **Signed and Stamped**
3. Financial offer form **fully and accurately filled in, signed and stamped.**
4. Copy of company registration. **Mandatory**
5. Copy of tax registration (Ministry of Finance).
6. Copy of VAT registration (Ministry of Finance).

Financial Offer form

Wahat-Al-Farah Association for special needs TO COMPLETE				BIDDER TO COMPLETE		
Item No.	Item Description	UOM	QTY	Item /Milestone Offered Model Name, Model, UOM and (Full Descriptions if different than what is required in the required technical description)	Unit Price include delivery and installation fees (USD)	Total Price include delivery and installation fees (USD)
1	Fence Type A (as per attached drawing)	Lm	30.00			
2	Fence Type B (as per attached drawing)	Lm	260.00			
3	Door (as per attached drawing)	Lm	5.00			
				SUBTOTAL:		
				VAT 11%:		
				TOTAL:		

Delivery Lead Time: (From receipt of Purchase Order)	(Calendar) days
Bid Validity Period: Your Bid must be valid as stated on the Request for Quotation Details . Bids not meeting the Bid Validity Period may be disqualified.	(Calendar) days
Supplier Payment Modality: Bid not meeting Wahat al farah payment terms may be disqualified	
Supplier Expected delivery date: delivery date not meeting the Required Delivery Date Mentioned in The RFQ details may be disqualified.	
Supplier name: as per the registration paper	
Submission Date:	
Signature & Stamp: Company Stamp only	



Revisions			
No.	description	date	initial

- ALL DIMENSIONS ARE IN (M)
 - ALL LEVELS ARE IN (M)

PROJECT:
WAF NEW SCHOOL
 BKIFTINE - LEBANON PLOT Nb. 312

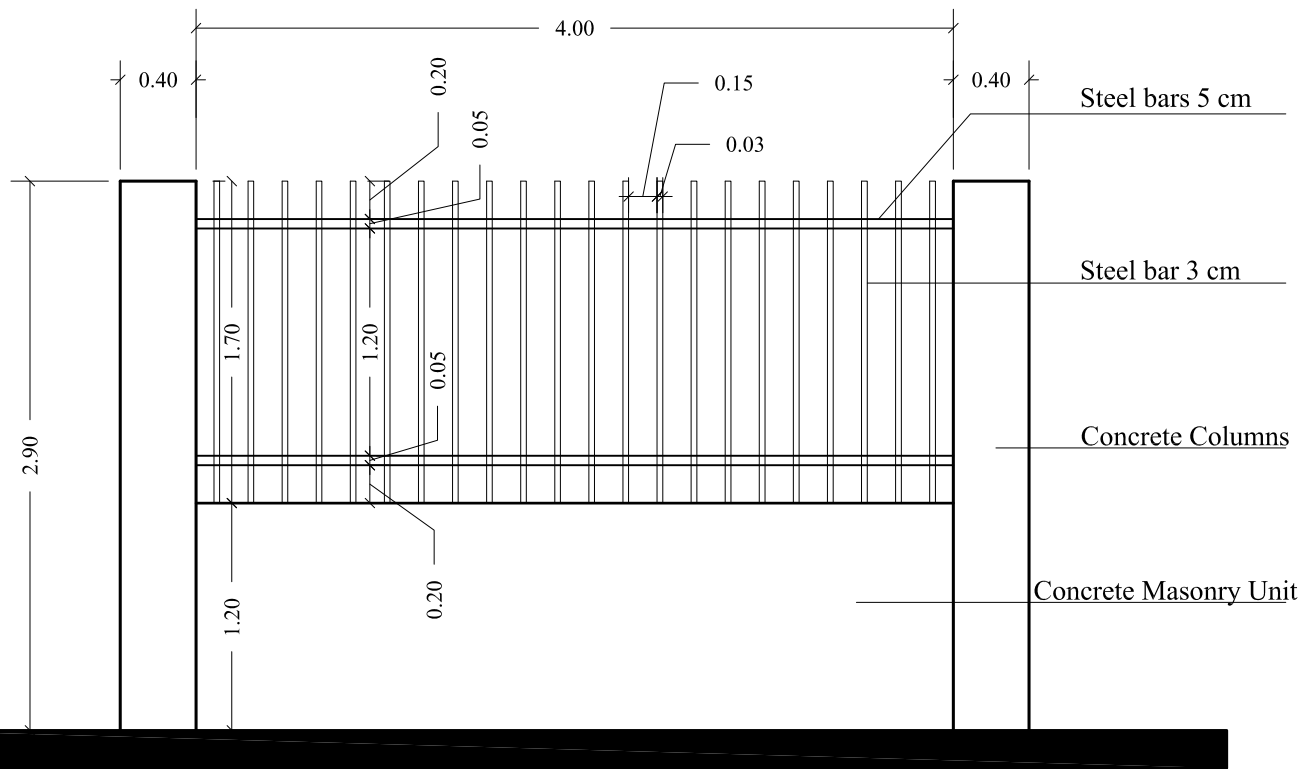


CLIENT:
 GREEK ORTHODOX ARCHDIOCESE
 OF TRIPOLI, KOURA AND DEPENDANCES

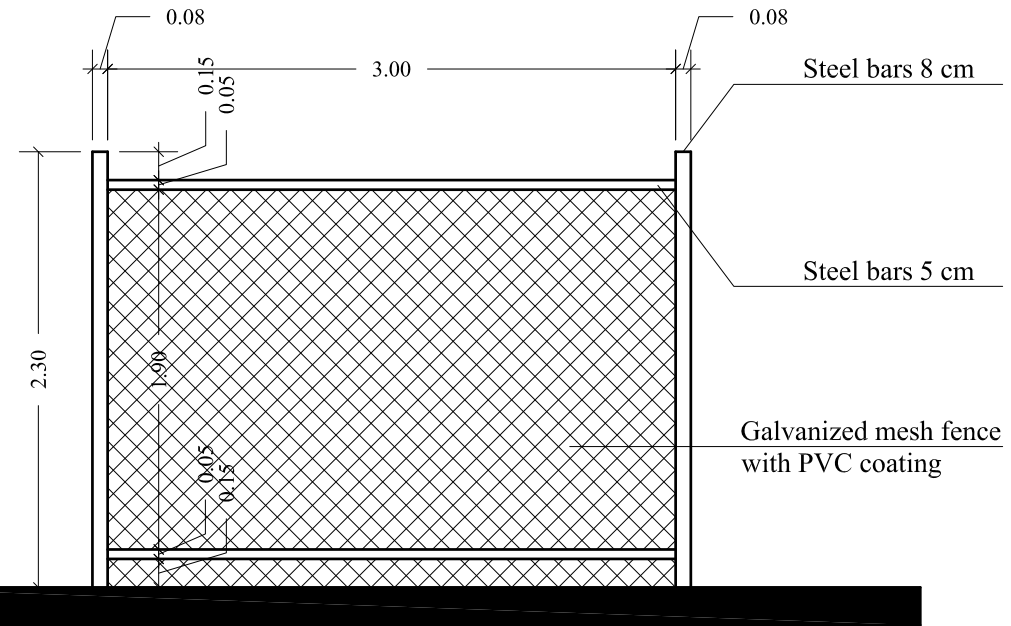
BANAKO
 ARCHITECTS - CONSULTANTS - PROJECT MANAGERS
 GABY KHORIATY - Architect www.banako-lb.com

DRAWING NUMBER AND TITLE
FENCE DETAILS

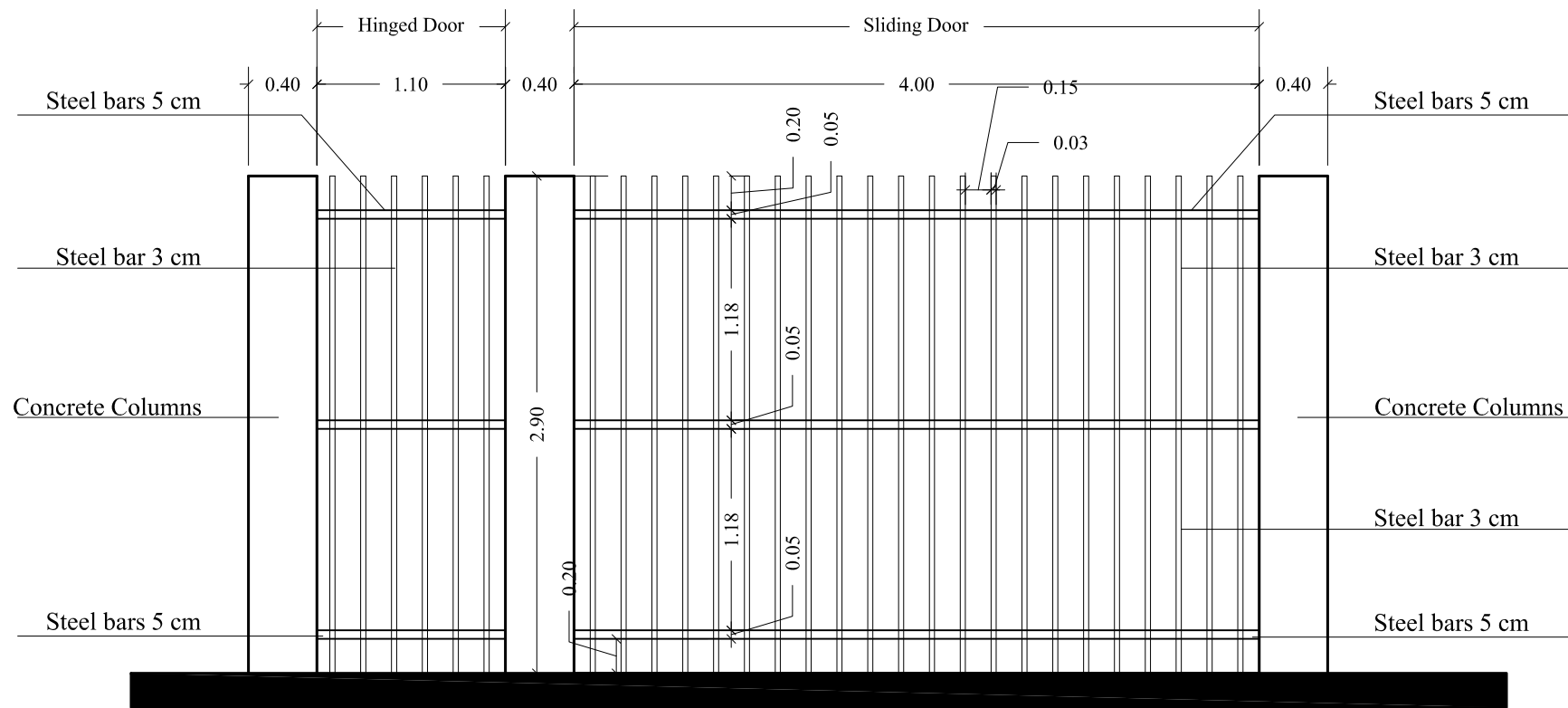
Execution	2022	
PHASE	DATE	SCALE



Fence details Type A



Fence details Type B



Fence Door details

Revisions

No.	description	date	initial

- ALL DIMENSIONS ARE IN (M)
- ALL LEVELS ARE IN (M)

PROJECT:
WAF NEW SCHOOL
 BKIFTINE - LEBANON PLOT Nb. 312



CLIENT:
 GREEK ORTHODOX ARCHIDIOCESE
 OF TRIPOLI, KOURA AND DEPENDANCES

BANAKO
 ARCHITECTS - CONSULTANTS - PROJECT MANAGERS
 GABY KHORIATY - Architect www.banako-lb.com

DRAWING NUMBER AND TITLE
FENCE DETAILS

Execution	2022	
PHASE	DATE	SCALE