

Dbayeh Library

Dbayeh Palestinian Refugee Camps



التعاون
Taawon

JOINT
CHRISTIAN
COMMITTEE
FOR SOCIAL
SERVICE IN
LEBANON

Inmaa Arch.

Wael.S.Salem@gmail.com
+961-3-620575
2th floor, Abou Shakra Blg.
Musaytbeh Str.
Mazraa-Beirut, Lebanon



Dbayeh Library

Dbayeh Palestinian Refugee Camps

TABLE OF CONTENTS

A.01	EXISTING PLAN	1/50
A.02	DEMOLITION PLAN	1/50
A.03	PROPOSED PLAN	1/50
A.04	PROPOSED CEILING	1/50
A.05	PROPOSED ROOF	1/50
A.06	SECTION 1/2	1/50
A.07	SECTION 2/2	1/50
A.08	NORTH ELEVATION	1/50
A.09	FURNITURE	1/20
S.01	STRUCTURE WORKS	1/20
E.01	GROUND FLOOR	1/50
E.02	CEILING LEVEL	1/50
M.01	PLUMBING	1/25

Dbayeh Library



Inmaa Arch.

Wael.S.Salem@gmail.com
+961-3-620575
2th floor, Abou Shakra Bldg.
Musaytbeh Str.
Mazraa-Beirut, Lebanon



Revisions

Nb.	Description	Date

NOTES:

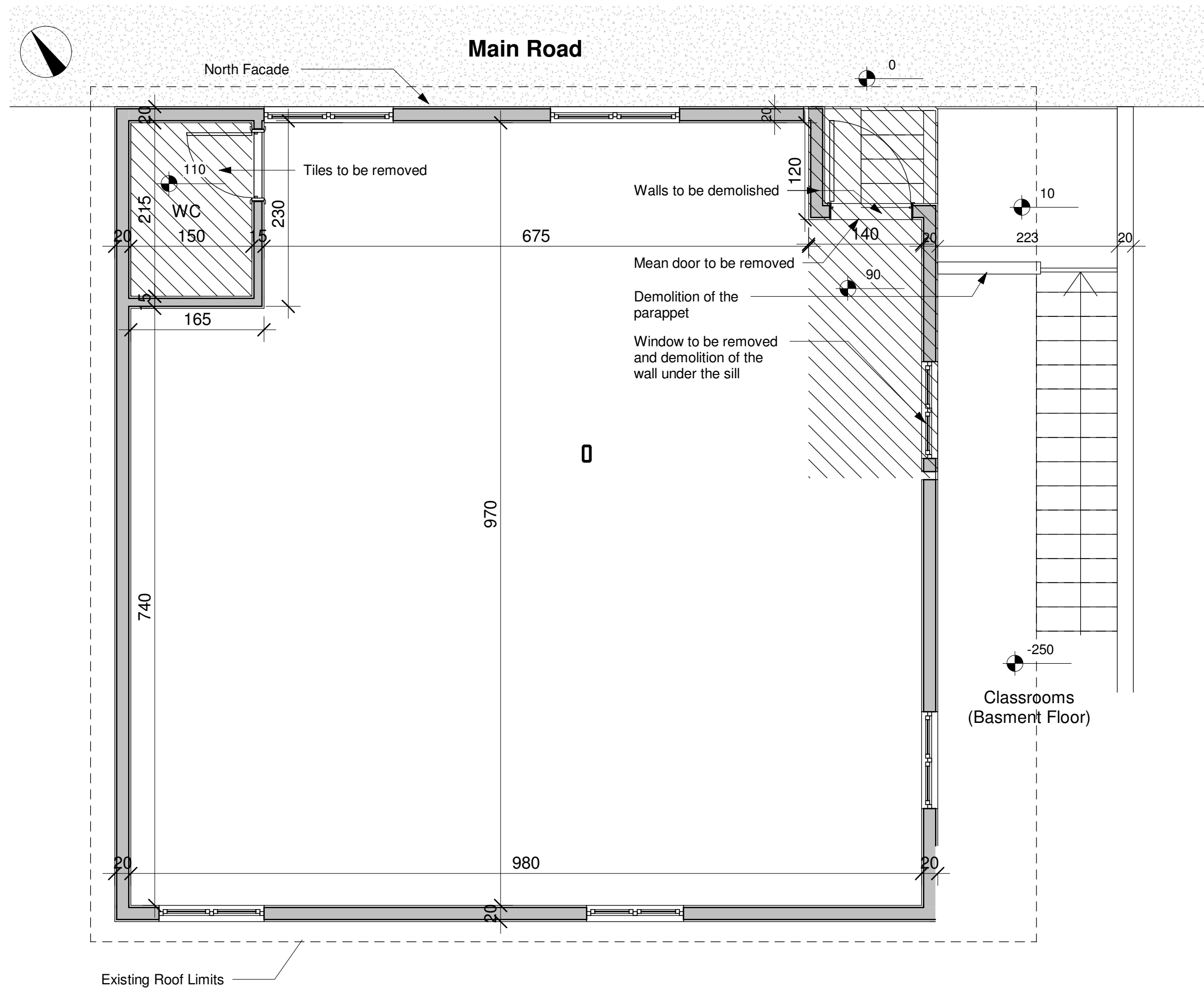
- All dimensions to be checked on site and verified before construction.
- All dimensions are in Centimeter & all Levels in Meter.
- Written dimensions to be followed in preference to scaled dimensions.
- Any discrepancies to be reported to the architect.

Architecture

Demolition Plan

1 : 50 A. 02

19-Aug-2019



Dbayeh Library



Inmaa Arch.

Wael.S.Salem@gmail.com
+961-3-620575
2th floor, Abou Shakra Bldg.
Musaytbeh Str.
Mazraa-Beirut, Lebanon



Revisions

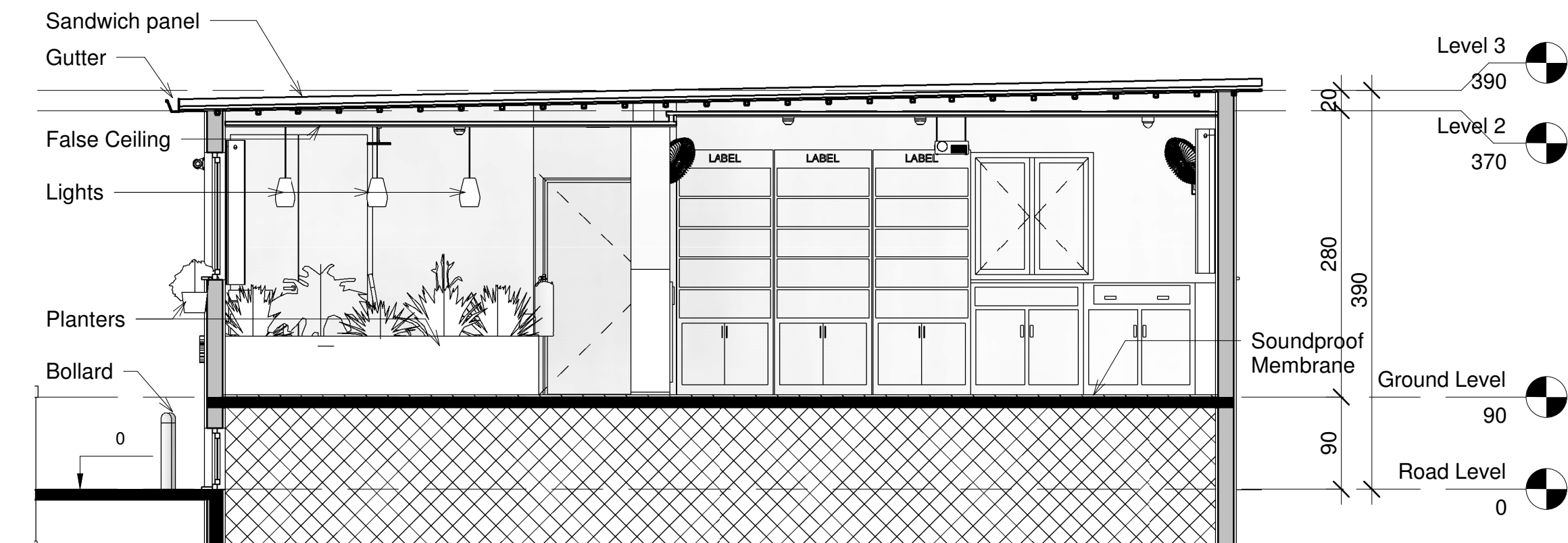
Nb.	Description	Date

NOTES:
 - All dimensions to be checked on site and verified before construction.
 - All dimensions are in Centimeter & all Levels in Meter.
 - Written dimensions to be followed in preference to scaled dimensions.
 - Any discrepancies to be reported to the architect.

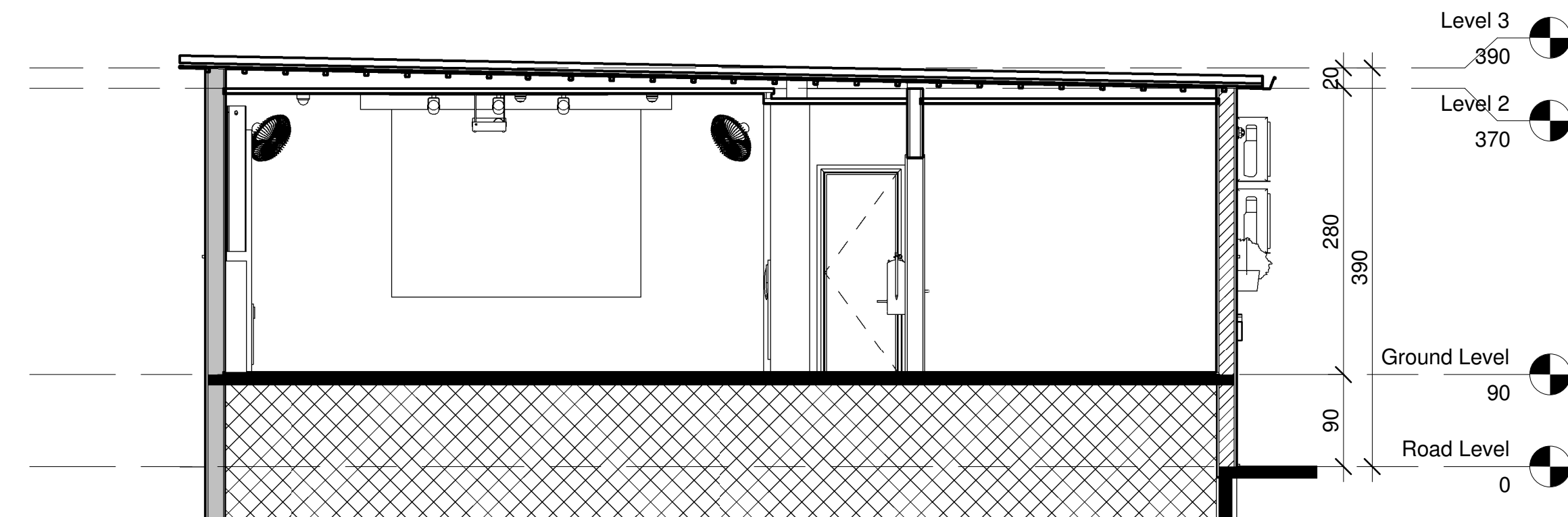
Architecture

Sections
1/2
1 : 50 A. 06

19-Aug-2019



A Section A-A



B Section B-B

Dbayeh Library



Inmaa Arch.

Wael.S.Salem@gmail.com
+961-3-620575
2th floor, Abou Shakra Bldg.
Musaytbeh Str.
Mazraa-Beirut, Lebanon



Revisions

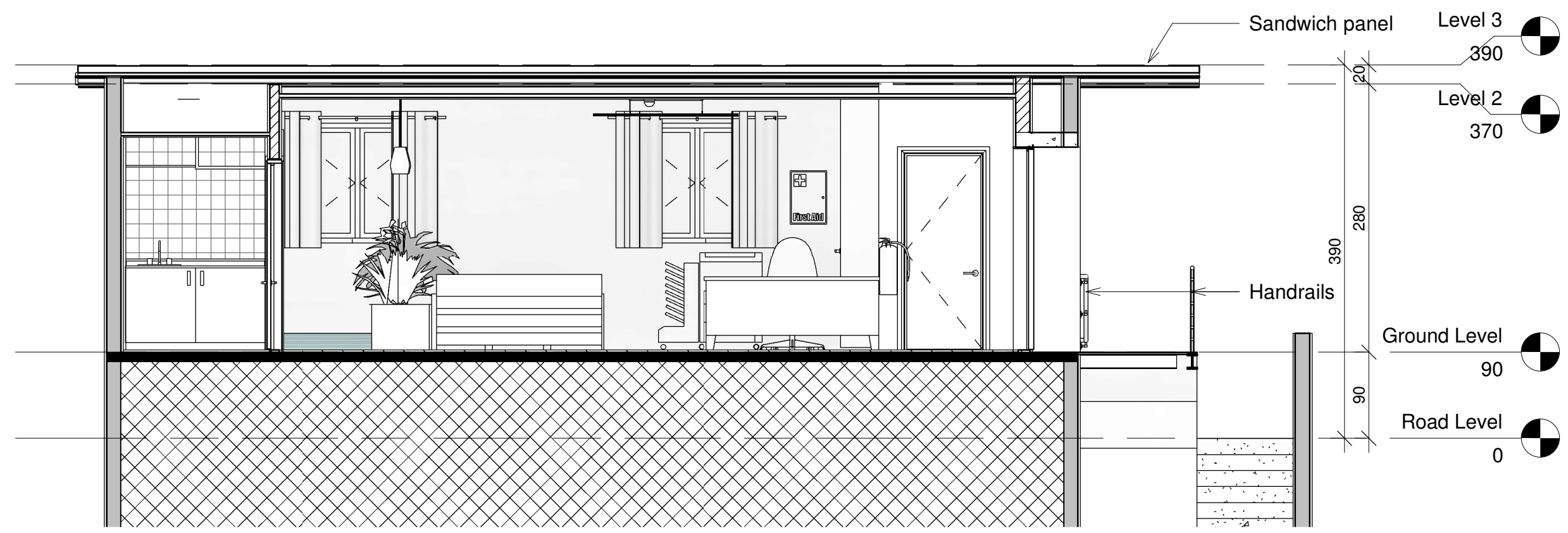
Nb.	Description	Date

NOTES:
 - All dimensions to be checked on site and verified before construction.
 - All dimensions are in Centimeter & all Levels in Meter.
 - Written dimensions to be followed in preference to scaled dimensions.
 - Any discrepancies to be reported to the architect.

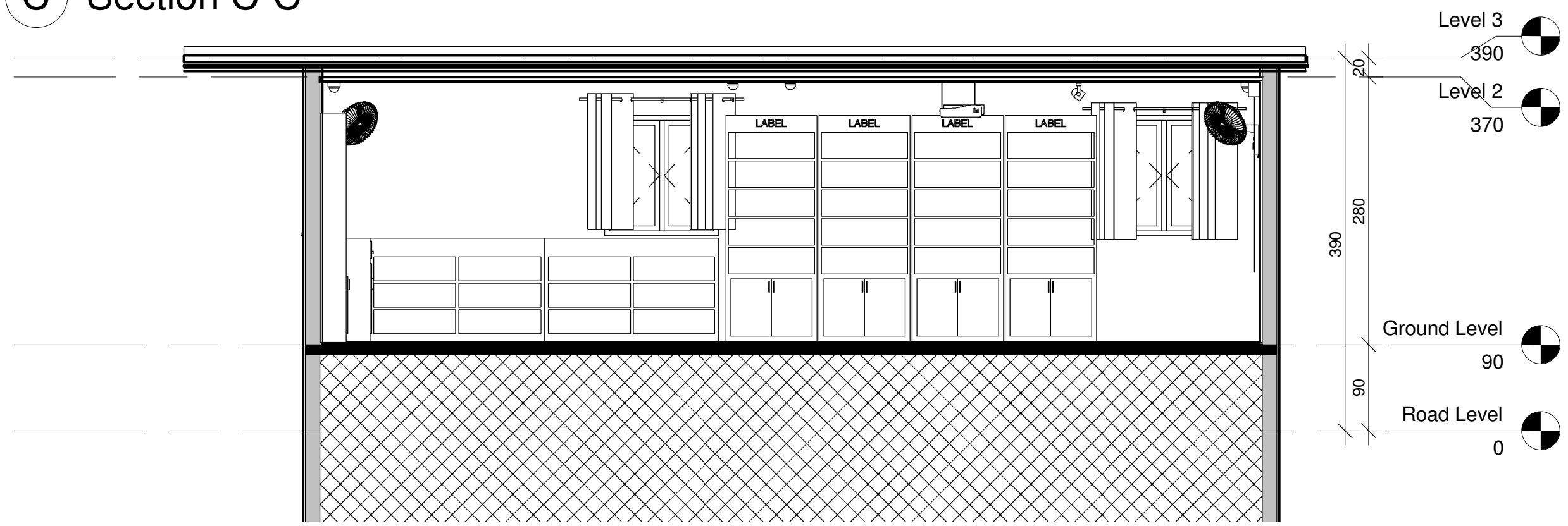
Architecture

Sections
2/2
1 : 50 A. 07

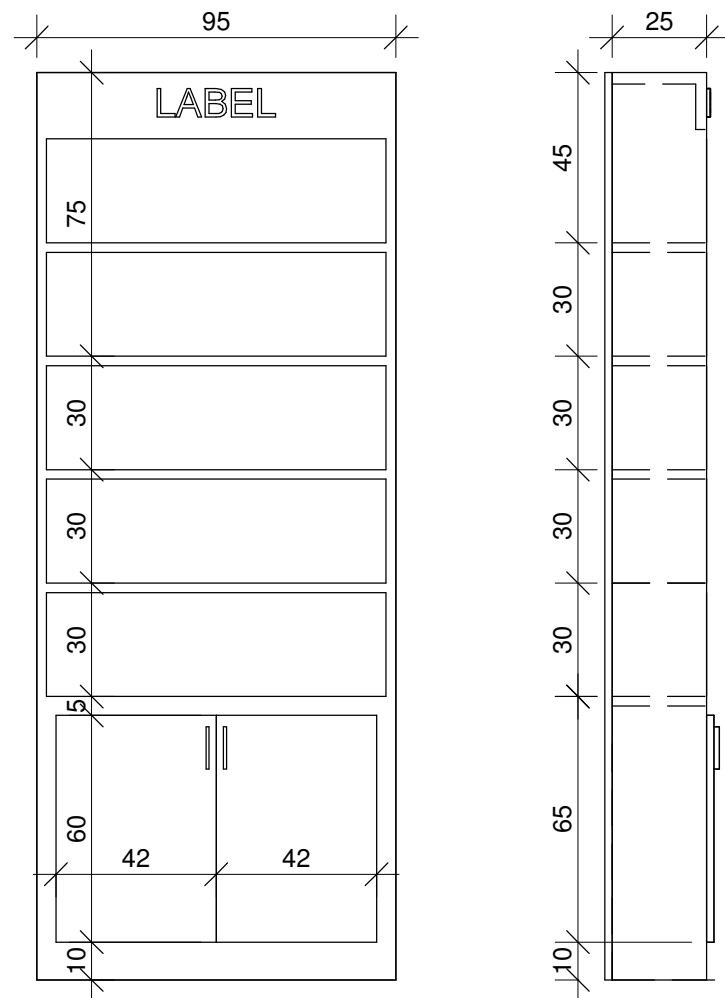
19-Aug-2019



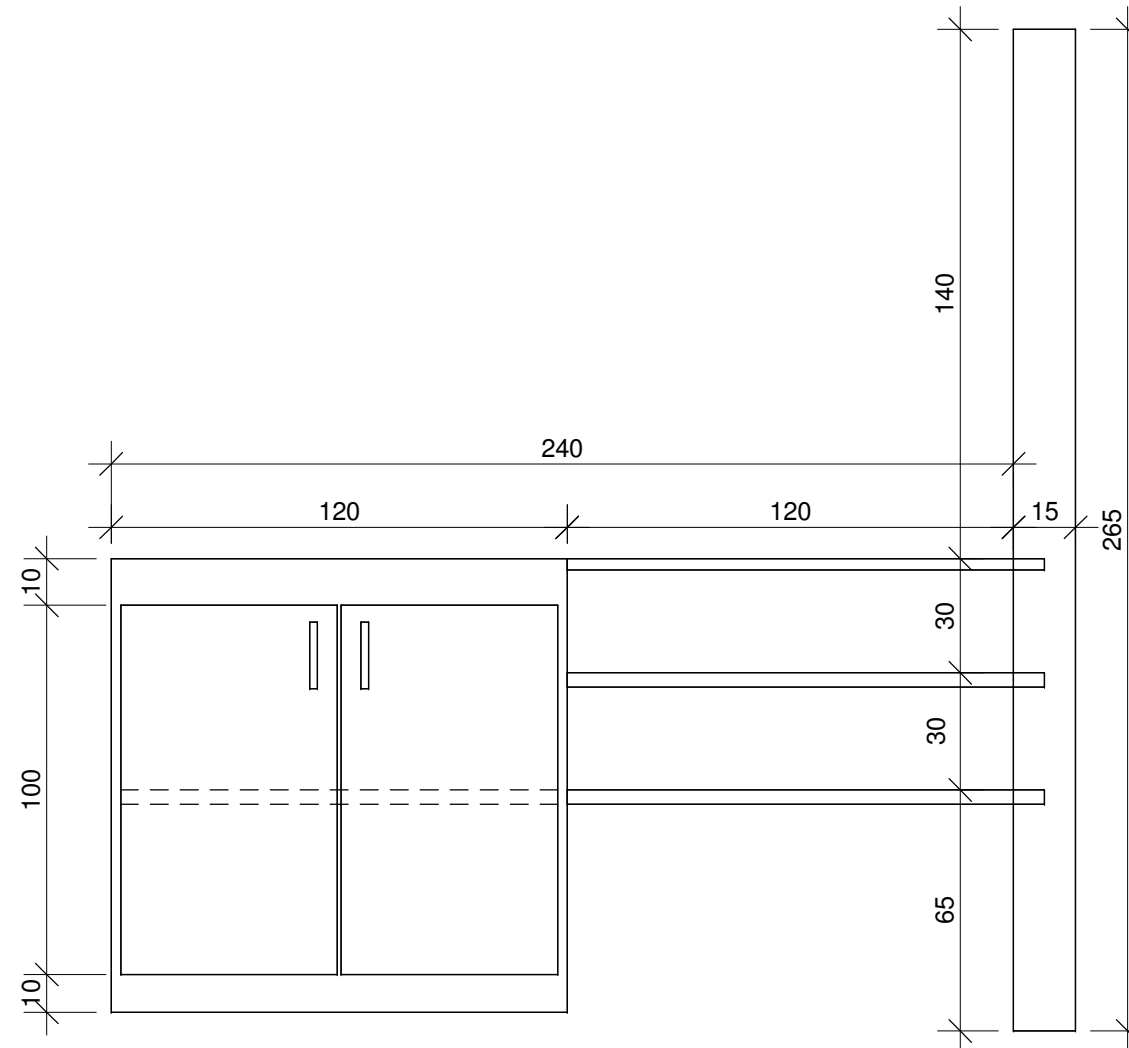
C Section C-C



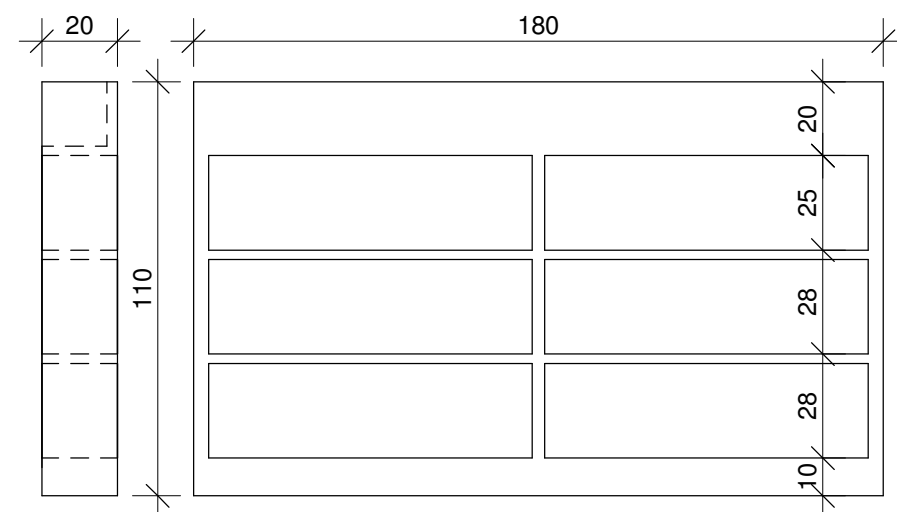
D Section D-D



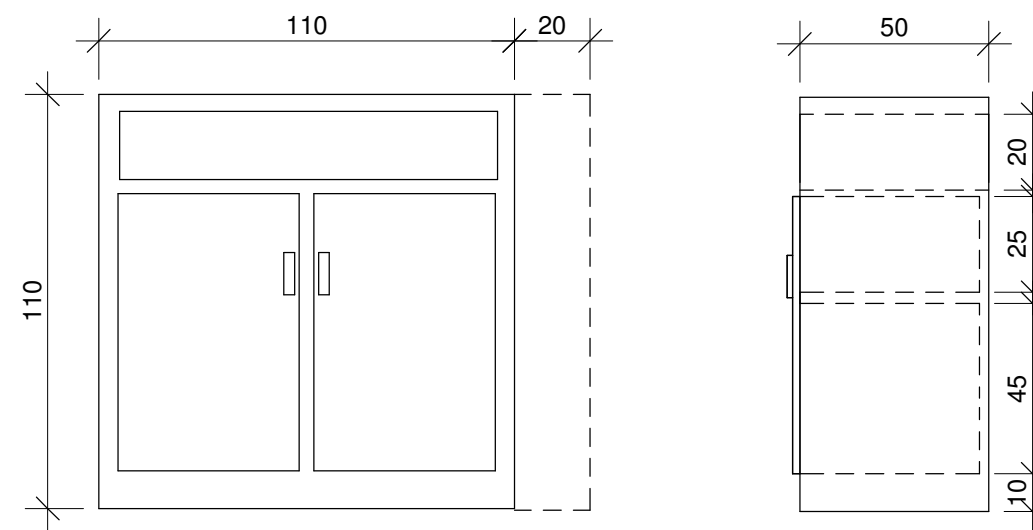
A Bookshelves Adult



D Handwork



B Bookshelves Kids



C Board Games

Dbayeh
Library



Inmaa Arch.
Wael.S.Salem@gmail.com
+961-3-620575
2th floor, Abou Shakra Bldg.
Musaytbeh Str.
Mazraa-Beirut, Lebanon

Revisions

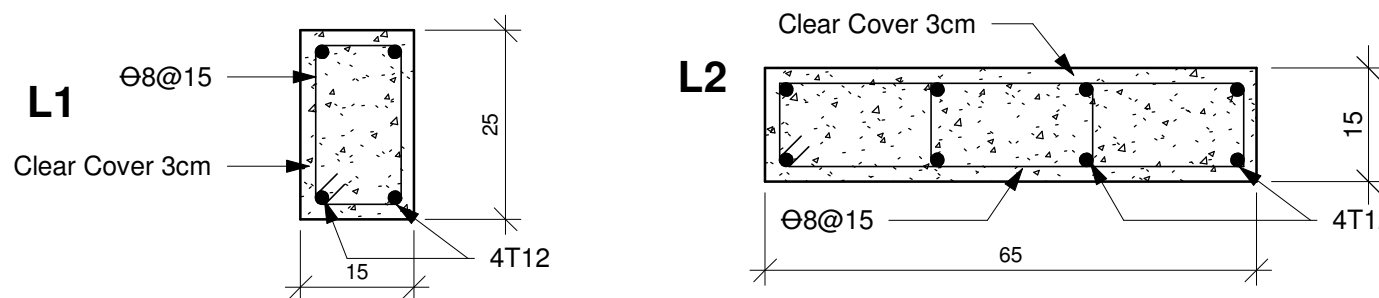
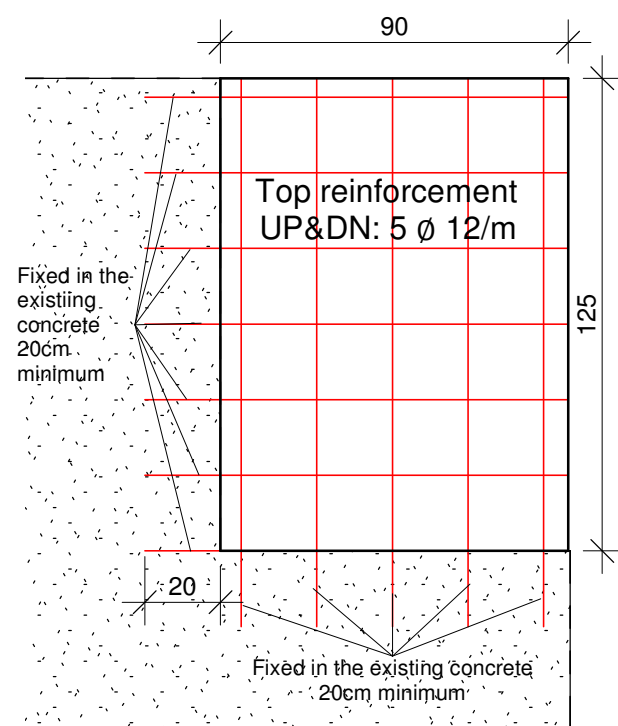
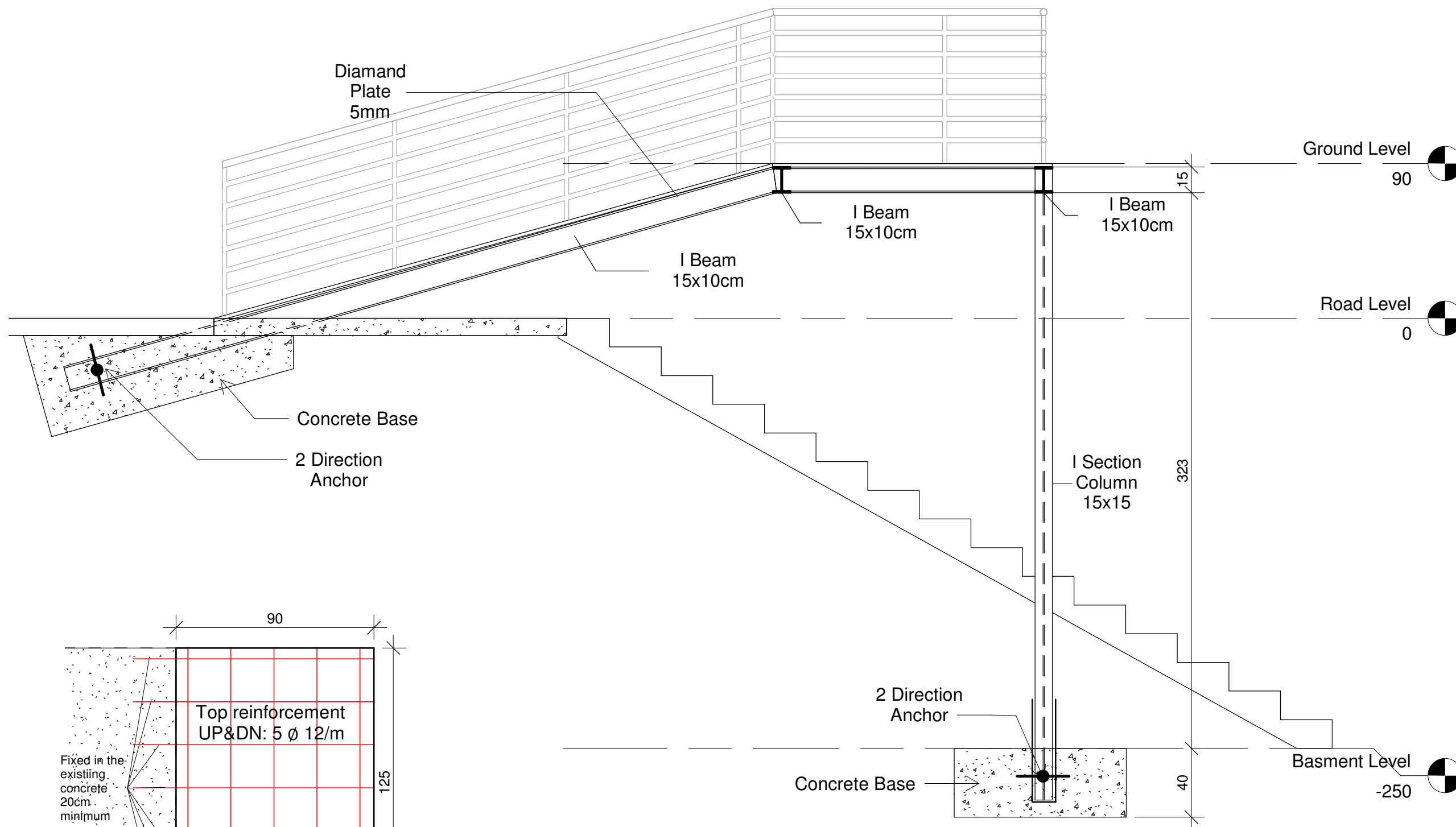
Nb.	Description	Date

- NOTES:
- All dimensions to be checked on site and verified before construction.
 - All dimensions are in Centimeter & all Levels in Meter.
 - Written dimensions to be followed in preference to scaled dimensions.
 - Any discrepancies to be reported to the architect.

Architecture

**Furniture
Draft**
1 : 20 A. 09

19-Aug-2019



Revisions

Nb.	Description	Date

- NOTES:
- All dimensions to be checked on site and verified before construction.
 - All dimensions are in Centimeter & all Levels in Meter.
 - Written dimensions to be followed in preference to scaled dimensions.
 - Any discrepancies to be reported to the architect.

Structure

Structure

As indicated
 S. 02
 19-Aug-2019

2 Floor Reinforcement- Plan

4 Lintel Reinforcement

Dbayeh Library



Inmaa Arch.

Wael.S.Salem@gmail.com
+961-3-620575
2th floor, Abou Shakra Bldg.
Musaytbeh Str.
Mazraa-Beirut, Lebanon



Revisions

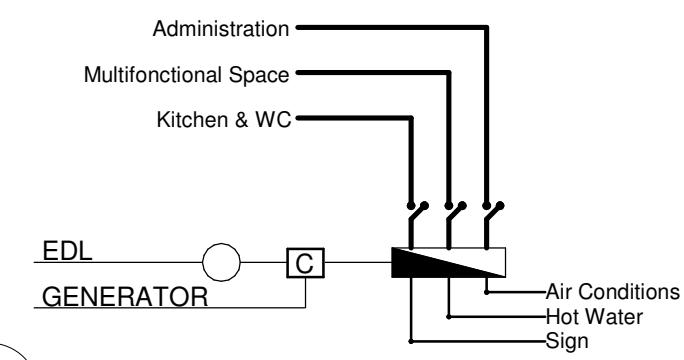
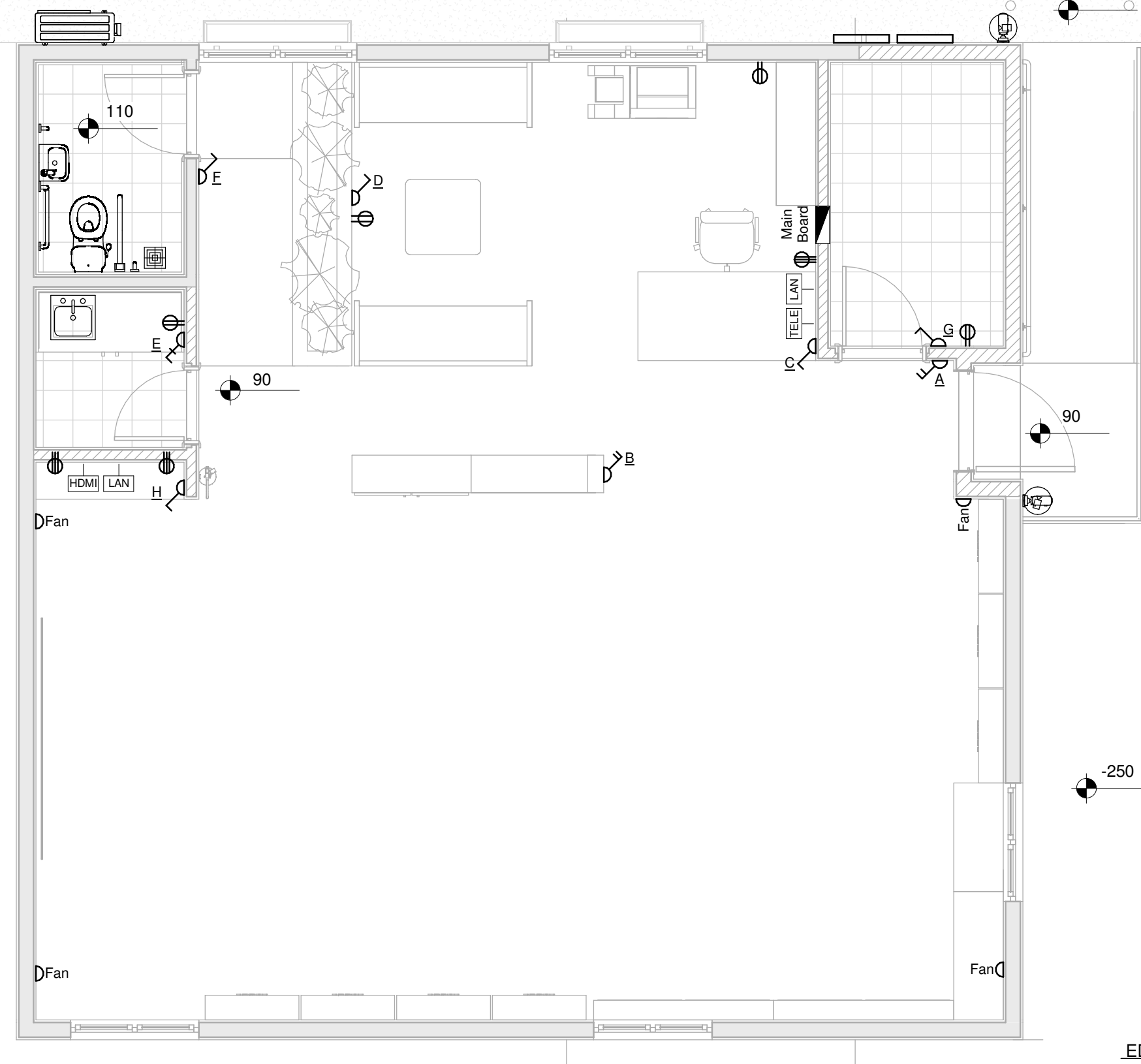
Nb.	Description	Date

Electrical

Level Ground
As **E. 01**
indicated
19-Aug-2019



Main Road



1 Proposed plan- Electrical

2 Drafting 1

Dbayeh Library



Inmaa Arch.

Wael.S.Salem@gmail.com
+961-3-620575
2th floor, Abou Shakra Bldg.
Musaytbeh Str.
Mazraa-Beirut, Lebanon



Revisions

Nb.	Description	Date

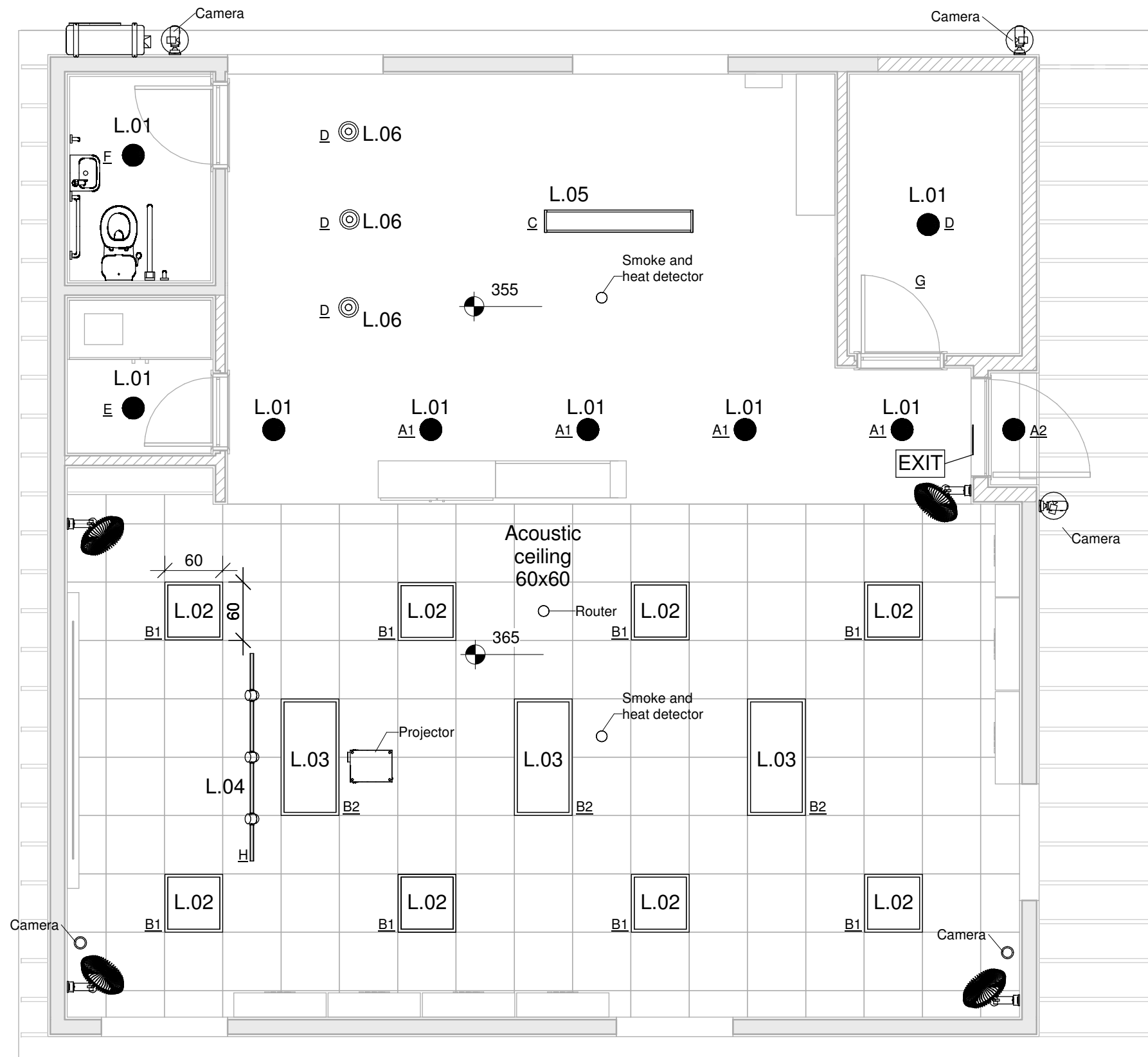
NOTES:

- All dimensions to be checked on site and verified before construction.
- All dimensions are in Centimeter & all Levels in Meter.
- Written dimensions to be followed in preference to scaled dimensions.
- Any discrepancies to be reported to the architect.

Electrical

Level Ceiling
1 : 50 E. 02

19-Aug-2019

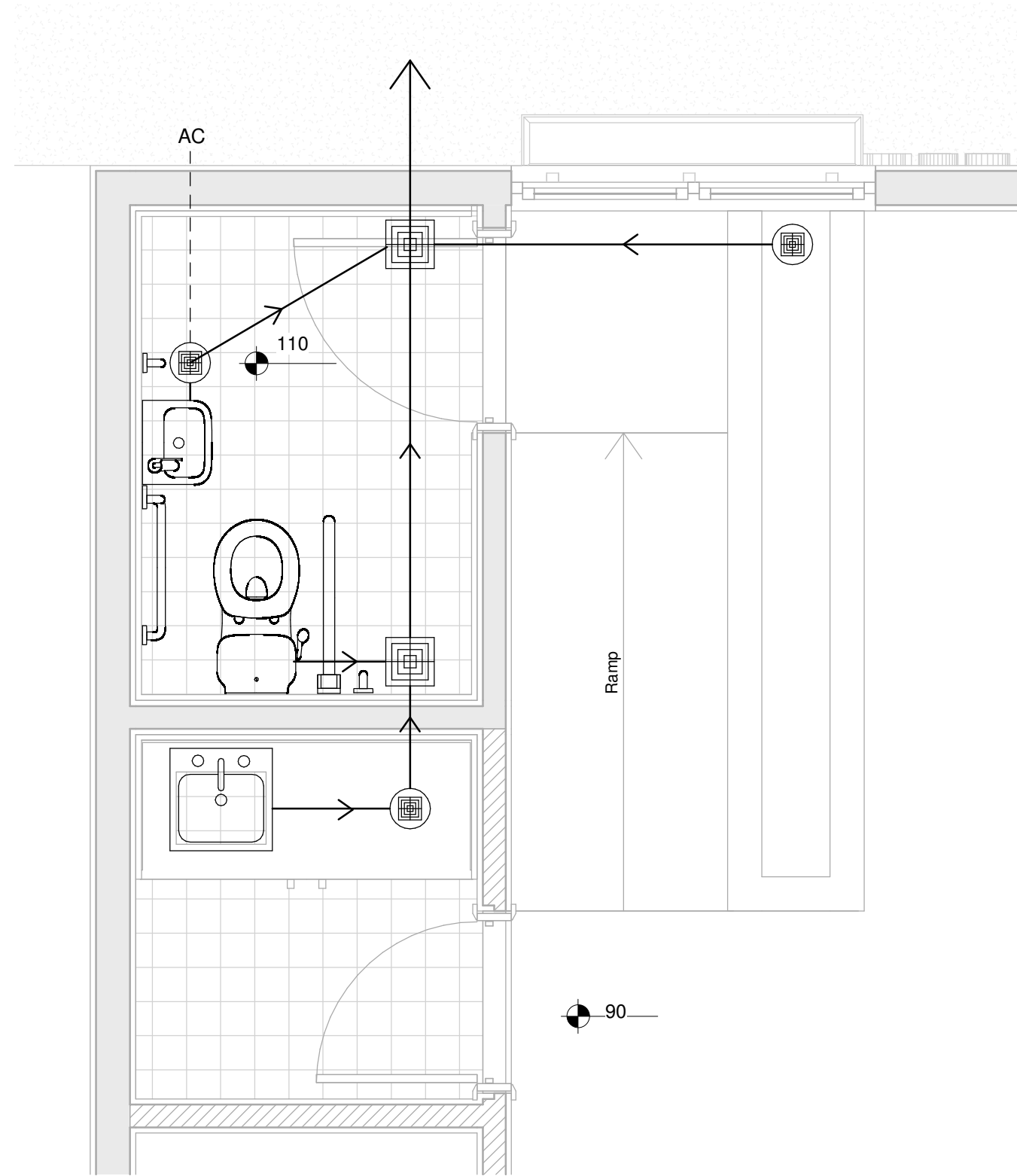


Dbayeh Library



Inmaa Arch.

Wael.S.Salem@gmail.com
 +961-3-620575
 2th floor, Abou Shakra Bldg.
 Musaytbeh Str.
 Mazraa-Beirut, Lebanon



Revisions

Nb.	Description	Date

NOTES:

- All dimensions to be checked on site and verified before construction.
- All dimensions are in Centimeter & all Levels in Meter.
- Written dimensions to be followed in preference to scaled dimensions.
- Any discrepancies to be reported to the architect.

Mechanical

**Plumbing
 Draft**
 1 : 25 E. 03

19-Aug-2019