

ANFEH - COMPOSTING STATION

PROJECT BRIEF



INTRODUCTION:

The Diverting Waste by Encouraging Reuse and Recycling Activity (DAWERR) is a five-year activity funded by the United States Agency for International Development (USAID) that aims to establish sustainable solid waste diversion and valorization solutions in collaboration with municipalities in various rural areas of Lebanon, thereby improving the social, environmental, and economic well-being of Lebanese citizens. To address the challenges and harness the opportunities in Lebanon's SWM sector, DAWERR is implementing a phased research and development (R&D) approach to execute its activities.

In DAWERR's second phase and building on the lessons learned from the pilot, DAWERR is supporting three groupings of municipalities consisting of 3 to 4 municipalities across Lebanon. Among the three groupings, DAWERR is targeting the Anfeh grouping, which consists of three municipalities: Bechmezine, Kfarhazir, Fih and Anfeh (Hosting the composting station), and their local communities to develop sustainable composting value chains for organic waste, including source separation, collection, and composting of organic waste through the construction of small-scale, low-tech (with spare parts available in the local market), low-cost (capital and O&M) composting stations and strengthening existing value chains for recyclable materials with the aim to divert solid waste from landfills and promote waste valorization.

DAWERR is facilitating a collaboration model between the three municipalities and is providing targeted technical, financial, and business support to design, implement, and manage a joint comprehensive Solid Waste Management (SWM) solution.

SUMMARY OF CONSTRUCTION ACTIVITIES AND PROVISION OF EQUIPMENT

DAWERR will construct a composting station - container composter, and conduct training to the Municipality/Operator to operate and maintain the station and ensure its sustainability beyond the life of the Activity as follows:

I. Construction Activities:

a. Municipality Contribution:

The municipality will be responsible for obtaining the necessary permits and approvals for the composting station (including establishment permit and construction permit) from the related authorities and will contribute to the construction works in the selected plot/site (plot#3715, Anfeh) that will host the composting station including:

1. The topographic surveys during the project implementation, when needed.
2. Planting trees all around the project's fence.

Municipality work contribution will be implemented under the design and supervision of DAWERR consultant engineer.

b. DAWERR Contribution:

DAWERR will be responsible for the following:

1. The earth works and land's preparation including excavation works, base coarse layer, etc.
2. The reinforced concrete works for block A, and the platforms under block B including blinding concrete, foundations, tie beams, channels and pits, slab on grade, columns, retaining walls, cover slabs, etc.
3. The steel works including: the construction of Block A steel hangar, The steel fence, the project's gates, etc.
4. Finishing for the Block A including partition, plastering, painting, water-proofing, doors, windows, tiling, etc.
5. Electrical installation including power, lighting and low current, networks, earthing, etc.
6. Mechanical installation including drainage and water supply networks, sanitary fixtures for the reception's toilet, etc.
7. Landscaping works including the asphaltting of the external yards, etc.

2. Provision of Equipment:

Once the construction phase is completed, DAWERR will provide and install the following equipment through other contractors:

- Three container composter 40' (Blocks B) with all its related equipment.
- One Waste Water treatment unit.
- One screening machine to screen the compost produced.
- One generator for the electrical power supply.
- Solar Photovoltaic (PV) system for the Electrical power supply.

ANFEH COMPOSTING FACILITY LIST OF ARCHITECTURAL INTERMEDIARY DESIGN DRAWINGS

Sheet Number	SHEET TITLE	SCALE
A-01	PROJECT BRIEF & LIST OF DRAWINGS	N.T.S.
A-02	MASS PLAN	1/200
A-03	GROUND FLOOR GENERAL PLAN	1/100
A-04	TOP OF ROOF GENERAL PLAN	1/100
A-05	SECTIONS AA & BB	1/100
A-06	ELEVATIONS	1/100
A-07	INDUSTRIAL PRODUCTION LINE AND EQUIPMENT	1/100

ACTIVITY:
DAWERR

PILOT:
ANFEH MUNICIPALITY

ENGINEER:
ROY T. HELOU
Civil Engineer
Mobile : +961 (70) 169547
e-mail: rhelou@dawerr.org

STRUCTURAL ENGINEER:
RABAB FARES
Civil Engineer
Mobile : +961 (70) 176566
e-mail: rabab_fares@hotmail.com

MECHANICAL ENGINEER:
Mike N. Nohra
Saida | Ain El Deleb | Al Baidar Street |
Nicolas Nohra Building | Ground Floor |
Cell: +961 71 69 69 16

ELECTRICAL ENGINEER:
MARIE MADELEINE RENNO
4thFl, Mallat 3 C. Hazmieh Leb.
Cel: +9613495189
Tel/Fax: +9615455076
Mail: tecpro.mm@gmail.com

GENERAL NOTES:
1-THE DRAWING IS NOT TO BE SCALED. ONLY WRITTEN DIMENSIONS ARE TO BE FOLLOWED.
2-ALL DIMENSIONS ARE IN CENTIMETERS UNLESS OTHERWISE INDICATED.
3-ALL LEVELS ARE IN METERS.

KEY PLAN:

REV.	DATE	MODIFICATION	DRAWN	DESIGNED	CHECKED	APPROVED
0	12/05/2023	INTERMEDIARY DESIGN	RM	RM	RH	RH

LOT:
ANFEH 3715

Project Name
COMPOSTING STATION
ANFEH

DRAWING TITLE:
PROJECT BRIEF
& LIST OF DRAWINGS

DRAWING NUMBER
A01

SCALE : 1/100 DATE : 12/05/2023

ACTIVITY:
DAWERR

PILOT:
ANFEH MUNICIPALITY

ENGINEER:
ROY T. HELOU
Civil Engineer
Mobile : +961 (70) 169547
e-mail: rhelou@dawerr.org

STRUCTURAL ENGINEER:
RABAB FARES
Civil Engineer
Mobile : +961 (70) 176566
e-mail: rabab_fares@hotmail.com

MECHANICAL ENGINEER:
Mike N. Nohra
Saida | Ain El Deleb | Al Baidar Street |
Nicolas Nohra Building | Ground Floor |
Cell: +961 71 69 69 16

ELECTRICAL ENGINEER:
MARIE MADELEINE RENNO
4thFl, Mallat 3 C. Hazmieh Leb.
Cel: +9613495189
Tel/Fax: +9615455076
Mail: tecpro.mm@gmail.com

GENERAL NOTES:
1-THE DRAWING IS NOT TO BE SCALED. ONLY WRITTEN DIMENSIONS ARE TO BE FOLLOWED.
2-ALL DIMENSIONS ARE IN CENTIMETERS UNLESS OTHERWISE INDICATED.
3-ALL LEVELS ARE IN METERS.

KEY PLAN:

REV.	DATE	MODIFICATION	DRAWN	DESIGNED	CHECKED	APPROVED
0	12/05/2023	INTERMEDIARY DESIGN	RM	RM	RH	RH

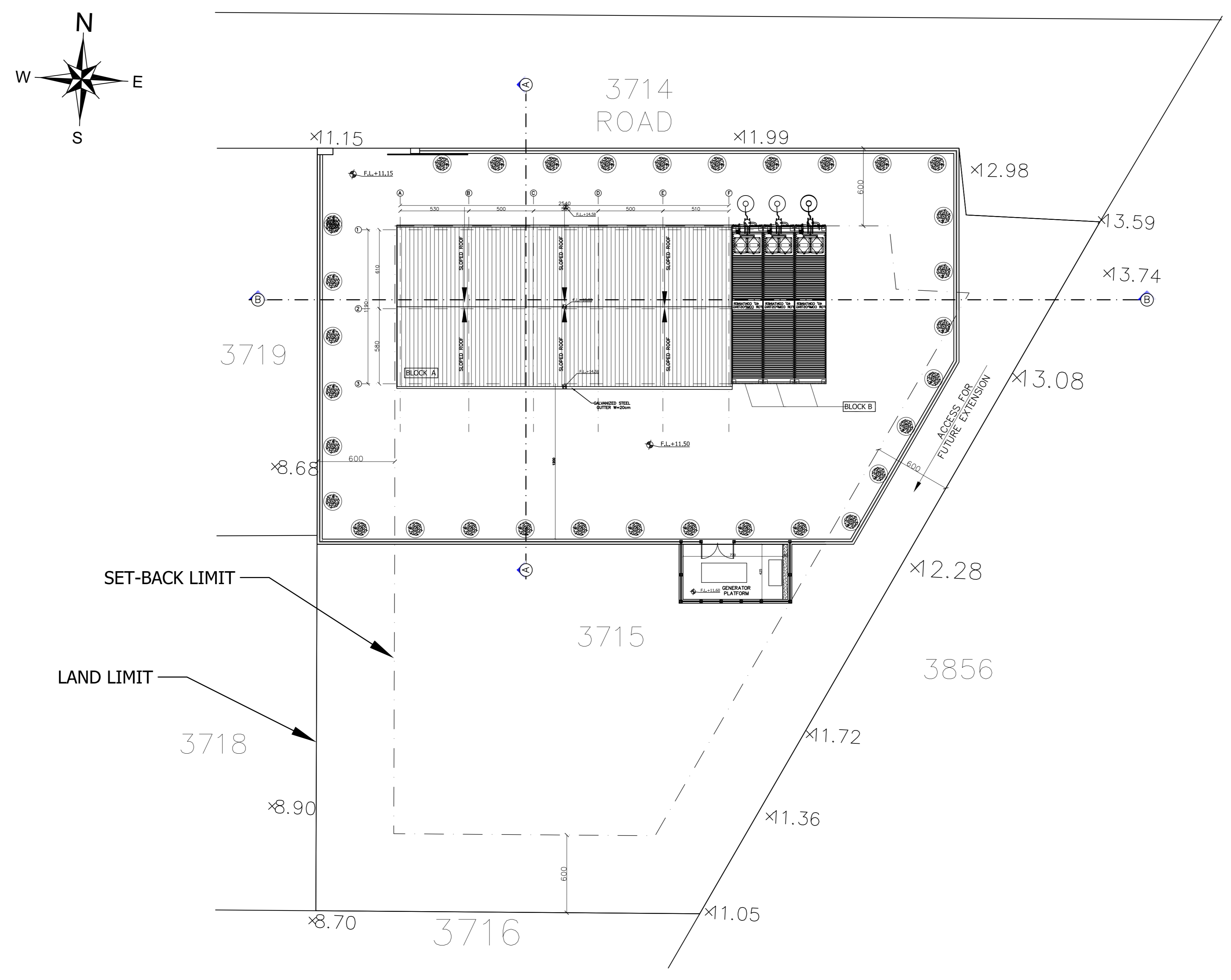
LOT:
ANFEH 3715

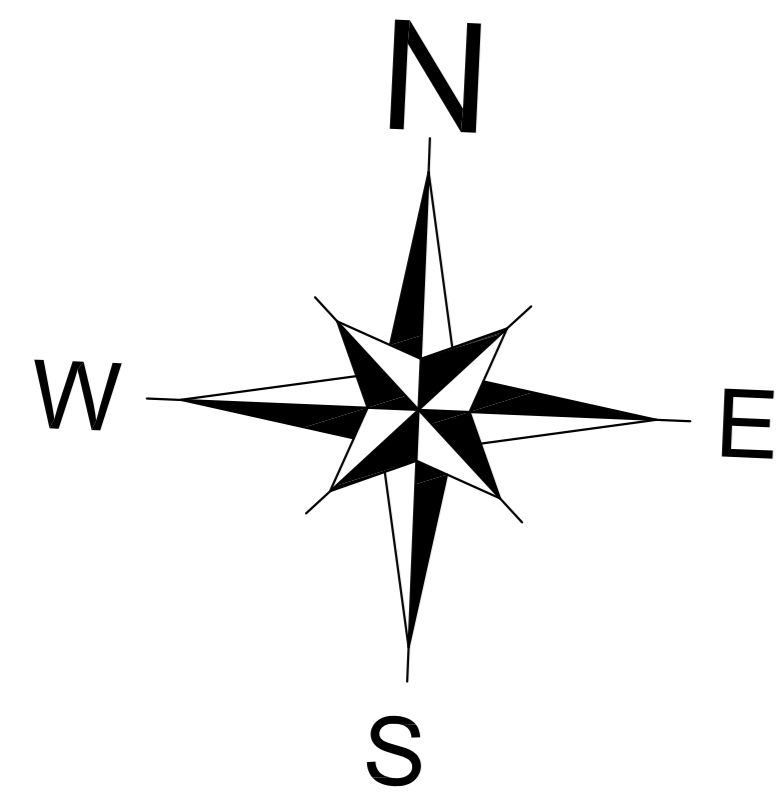
Project Name
COMPOSTING STATION ANFEH

DRAWING TITLE:
MASS PLAN

DRAWING NUMBER
A02

SCALE : 1/200 DATE : 12/05/2023





ACTIVITY:
DAWERR

PILOT:
ANFEH MUNICIPALITY

ENGINEER:
ROY T. HELOU
Civil Engineer
Mobile : +961 (70) 169547
e-mail: rhelou@dawerr.org

STRUCTURAL ENGINEER:
RABAB FARES
Civil Engineer
Mobile : +961 (70) 176566
e-mail: rabab_fares@hotmail.com

MECHANICAL ENGINEER:
Mike N. Nohra
Saida | Ain El Deleb | Al Baidar Street |
Nicolas Nohra Building | Ground Floor |
Cell: +961 71 69 69 16

ELECTRICAL ENGINEER:
MARIE MADELEINE RENNO
4thFl, Mallat 3 C. Hazmieh Leb.
Cel: +9613495189
Tel/Fax: +9615455076
Mail: tecpro.mm@gmail.com

GENERAL NOTES:
1-THE DRAWING IS NOT TO BE SCALED. ONLY WRITTEN DIMENSIONS ARE TO BE FOLLOWED.
2-ALL DIMENSIONS ARE IN CENTIMETERS UNLESS OTHERWISE INDICATED.
3-ALL LEVELS ARE IN METERS.

KEY PLAN:

REV.	DATE	MODIFICATION	DRAWN	DESIGNED	CHECKED	APPROVED
0	12/05/2023	INTERMEDIARY DESIGN	RM	RM	RH	RH

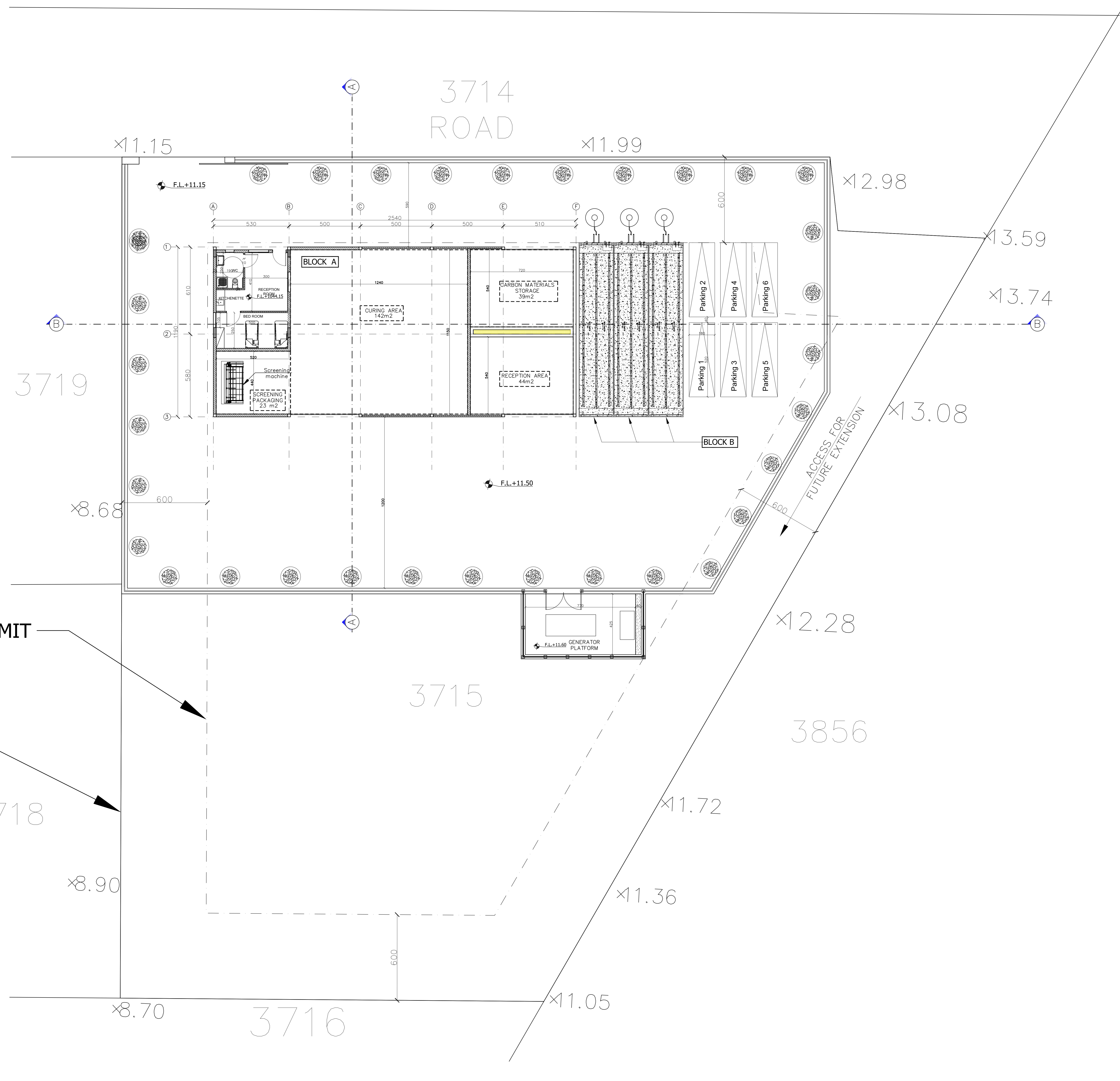
LOT:
ANFEH 3715

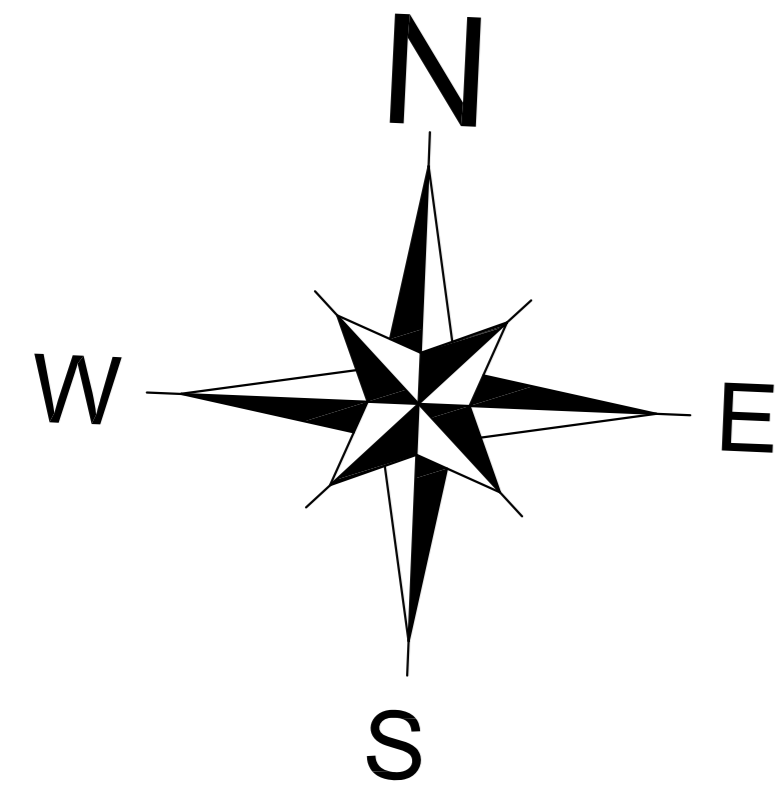
Project Name
COMPOSTING STATION ANFEH

DRAWING TITLE:
GROUND FLOOR GENERAL PLAN

DRAWING NUMBER
A03

SCALE : 1/100 DATE : 12/05/2023





ACTIVITY:
DAWERR

PILOT:
ANFEH MUNICIPALITY

ENGINEER:
ROY T. HELOU
Civil Engineer
Mobile : +961 (70) 169547
e-mail: rhelou@dawerr.org

STRUCTURAL ENGINEER:
RABAB FARES
Civil Engineer
Mobile : +961 (70) 176566
e-mail: rabab_fares@hotmail.com

MECHANICAL ENGINEER:
Mike N. Nohra
Saida | Ain El Deleb | Al Baidar Street |
Nicolas Nohra Building | Ground Floor |
Cell: +961 71 69 69 16

ELECTRICAL ENGINEER:
MARIE MADELEINE RENNO
4thFl, Mallat 3 C. Hazmieh Leb.
Cel: +9613495189
Tel/Fax: +9615455076
Mail: tecpro.mm@gmail.com

GENERAL NOTES:
1-THE DRAWING IS NOT TO BE SCALED. ONLY WRITTEN DIMENSIONS ARE TO BE FOLLOWED.
2-ALL DIMENSIONS ARE IN CENTIMETERS UNLESS OTHERWISE INDICATED.
3-ALL LEVELS ARE IN METERS.

KEY PLAN:

REV.	DATE	MODIFICATION	DRAWN	DESIGNED	CHECKED	APPROVED
0	12/05/2023	INTERMEDIARY DESIGN	RM	RM	RH	RH

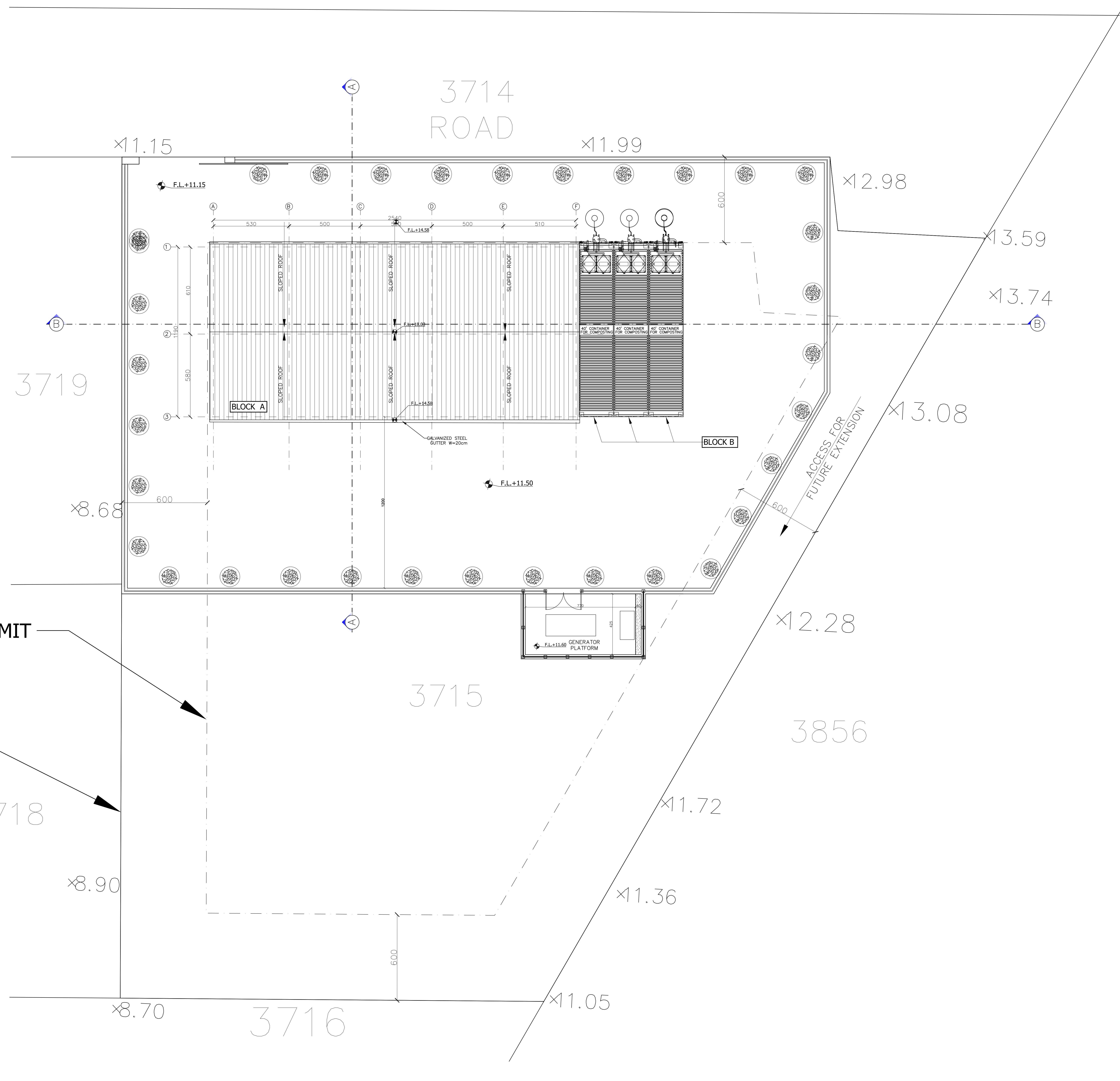
LOT:
ANFEH 3715

Project Name
COMPOSTING STATION ANFEH

DRAWING TITLE:
TOP OF ROOF GENERAL PLAN

DRAWING NUMBER
A04

SCALE : 1/100 DATE : 12/05/2023



SET-BACK LIMIT

LAND LIMIT

ACTIVITY:
DAWERR

PILOT:
ANFEH MUNICIPALITY

ENGINEER:
ROY T. HELOU
Civil Engineer
Mobile : +961 (70) 169547
e-mail: rhelou@dawerr.org

STRUCTURAL ENGINEER:
RABAB FARES
Civil Engineer
Mobile : +961 (70) 176566
e-mail: rabab_fares@hotmail.com

MECHANICAL ENGINEER:
Mike N. Nohra
Saida | Ain El Deleb | Al Baidar Street |
Nicolas Nohra Building | Ground Floor |
Cell: +961 71 69 69 16

ELECTRICAL ENGINEER:
MARIE MADELEINE RENNO
4thFl, Mallat 3 C. Hazmieh Leb.
Cel: +9613495189
Tel/Fax: +9615455076
Mail: tecpro.mm@gmail.com

GENERAL NOTES:
1-THE DRAWING IS NOT TO BE SCALED. ONLY WRITTEN DIMENSIONS ARE TO BE FOLLOWED.
2-ALL DIMENSIONS ARE IN CENTIMETERS UNLESS OTHERWISE INDICATED.
3-ALL LEVELS ARE IN METERS.

KEY PLAN:

REV.	DATE	MODIFICATION	DRAWN	DESIGNED	CHECKED	APPROVED
0	12/05/2023	INTERMEDIARY DESIGN	RM	RM	RH	RH

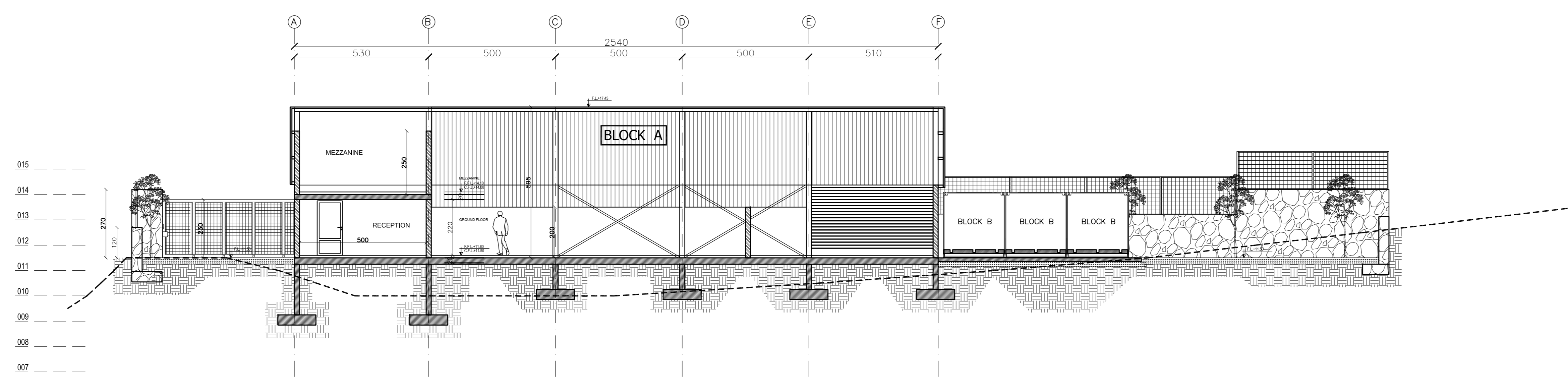
LOT:
ANFEH 3715

Project Name
COMPOSTING STATION ANFEH

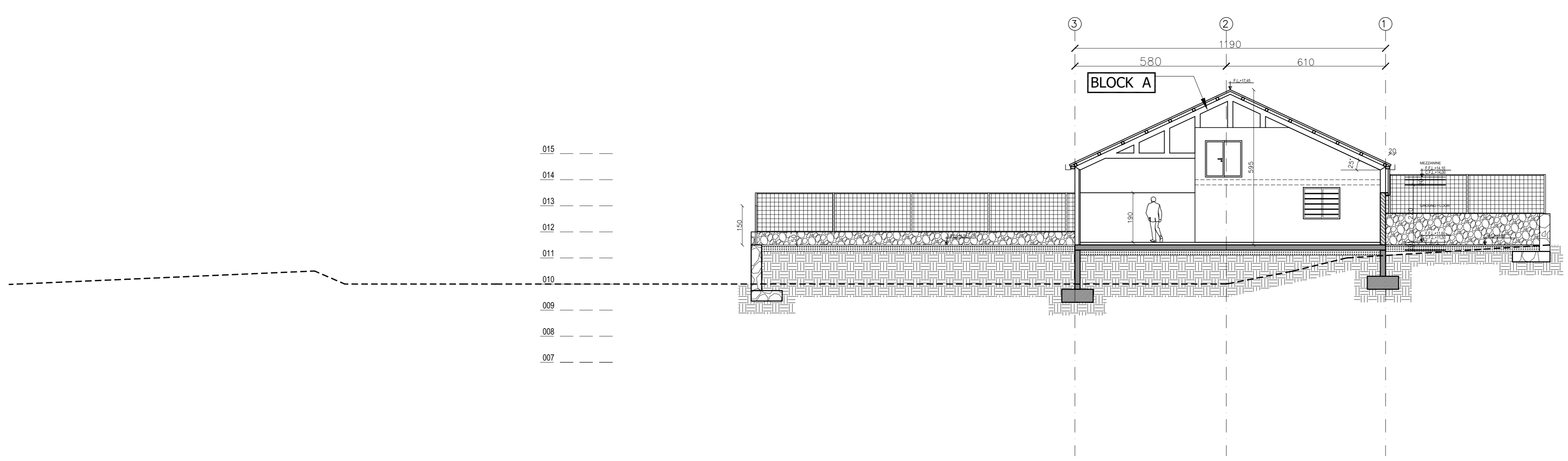
DRAWING TITLE:
SECTIONS AA & BB

DRAWING NUMBER **A05**

SCALE : 1/100 DATE : 12/05/2023



SECTION AA



SECTION BB

ACTIVITY:
DAWERR

PILOT:
ANFEH MUNICIPALITY

ENGINEER:
ROY T. HELOU
Civil Engineer
Mobile : +961 (70) 169547
e-mail: rhelou@dawerr.org

STRUCTURAL ENGINEER:
RABAB FARES
Civil Engineer
Mobile : +961 (70) 176566
e-mail: rabab_fares@hotmail.com

MECHANICAL ENGINEER:
Mike N. Nohra
Saida | Ain El Deleb | Al Baidar Street |
Nicolas Nohra Building | Ground Floor |
Cell: +961 71 69 69 16

ELECTRICAL ENGINEER:
MARIE MADELEINE RENNO
4thFl, Mallat 3 C. Hazmieh Leb.
Cel: +9613495189
Tel/Fax: +9615455076
Mail: tecpro.mm@gmail.com

GENERAL NOTES:
1-THE DRAWING IS NOT TO BE SCALED. ONLY WRITTEN DIMENSIONS ARE TO BE FOLLOWED.
2-ALL DIMENSIONS ARE IN CENTIMETERS UNLESS OTHERWISE INDICATED.
3-ALL LEVELS ARE IN METERS.

KEY PLAN:

REV.	DATE	MODIFICATION	DRAWN	DESIGNED	CHECKED	APPROVED
0	12/05/2023	INTERMEDIARY DESIGN	RM	RM	RH	RH

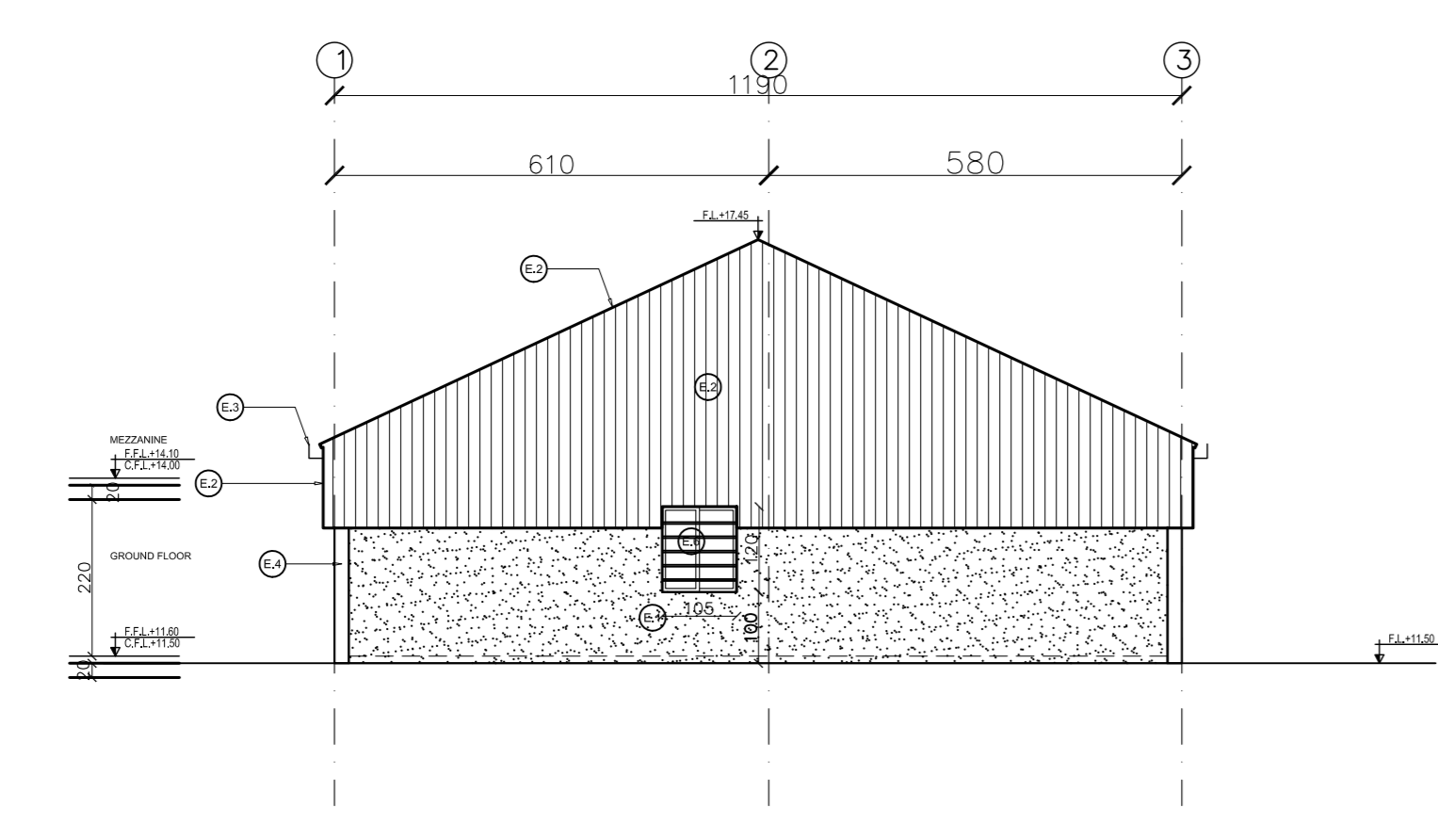
LOT:
ANFEH 3715

Project Name
COMPOSTING STATION ANFEH

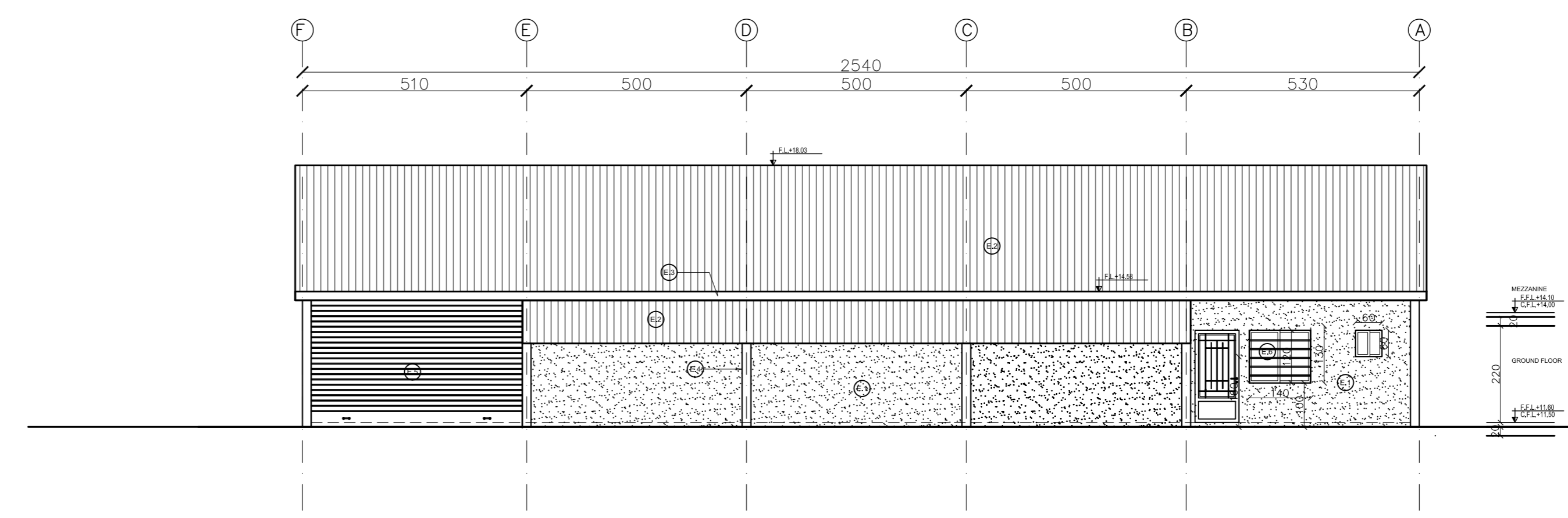
DRAWING TITLE:
ELEVATIONS

DRAWING NUMBER **A06**

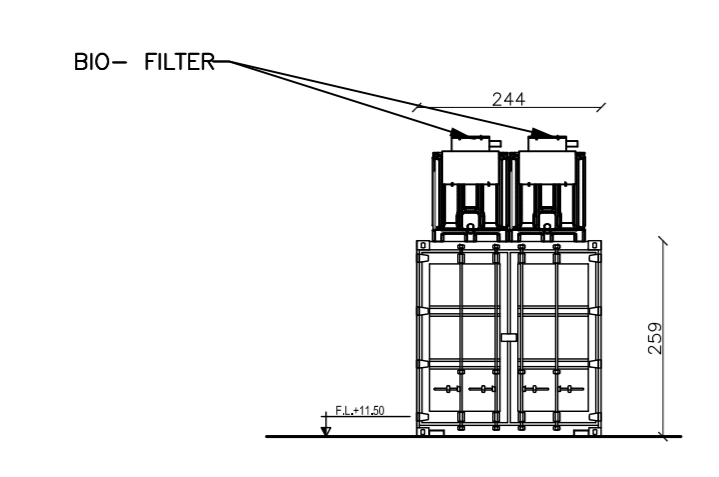
SCALE : 1/100 DATE : 12/05/2023



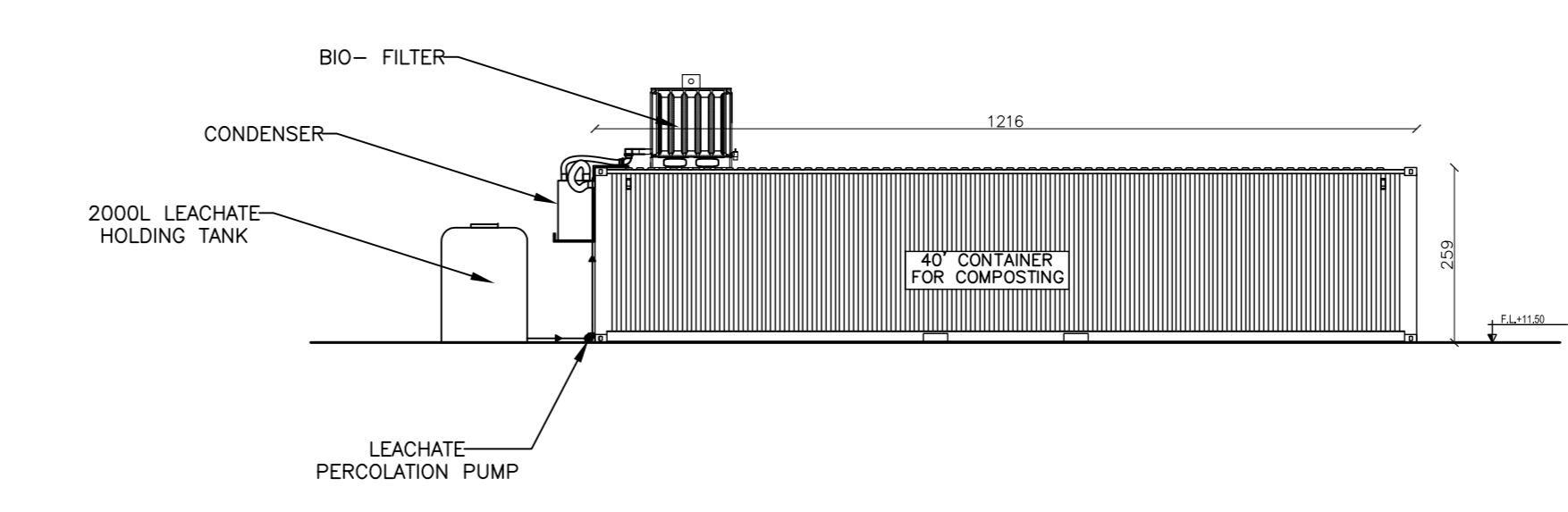
BLOCK A
WEST ELEVATION



BLOCK A
NORTH ELEVATION



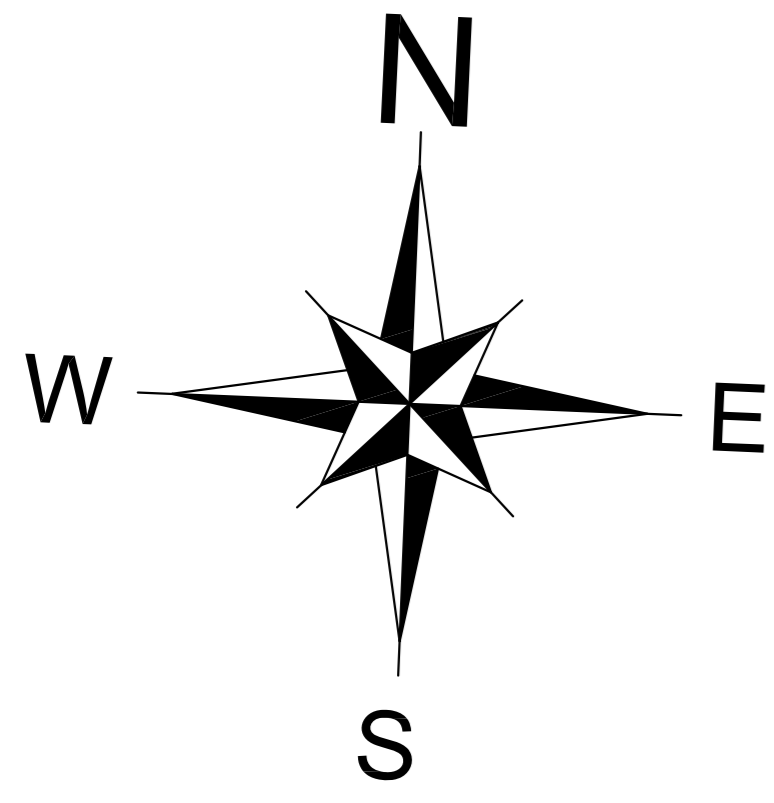
BLOCK B: 40' CONTAINER FOR COMPOSTING
MAIN ELEVATION



BLOCK B: 40' CONTAINER FOR COMPOSTING
SIDE ELEVATION

EXTERNAL FINISHES LEGEND

- | | |
|--|---|
| E.1 MONOCOUCHE PAINT ON CEMENT SAND PLASTERED LAYER | E.4 STEEL COLUMN - REFER TO THE STRUCTURAL DRAWINGS FOR PAINTING DETAILS |
| E.2 CORRUGATED G.I. SHEET | E.5 ROLLING SHUTTER STEEL DOOR |
| E.3 GALVANIZED STEEL SHEETS GUTTER 2.5MM THICK | E.6 ALUMINUM WINDOW WITH STEEL PROTECTION |



ACTIVITY:
DAWERR

PILOT:
ANFEH MUNICIPALITY

ENGINEER:
ROY T. HELOU
Civil Engineer
Mobile : +961 (70) 169547
e-mail: rhelou@dawerr.org

STRUCTURAL ENGINEER:
RABAB FARES
Civil Engineer
Mobile : +961 (70) 176566
e-mail: rabab_fares@hotmail.com

MECHANICAL ENGINEER:
Mike N. Nohra
Saida | Ain El Deleb | Al Baidar Street |
Nicolas Nohra Building | Ground Floor |
Cell: +961 71 69 69 16

ELECTRICAL ENGINEER:
MARIE MADELEINE RENNO
4thFl, Mallat 3 C. Hazmieh Leb.
Cel: +9613495189
Tel/Fax: +9615455076
Mail: tecpro.mm@gmail.com

GENERAL NOTES:
1-THE DRAWING IS NOT TO BE SCALED. ONLY WRITTEN DIMENSIONS ARE TO BE FOLLOWED.
2-ALL DIMENSIONS ARE IN CENTIMETERS UNLESS OTHERWISE INDICATED.
3-ALL LEVELS ARE IN METERS.

KEY PLAN:

REV.	DATE	MODIFICATION	DRAWN	DESIGNED	CHECKED	APPROVED
0	12/05/2023	INTERMEDIARY DESIGN	RM	RM	RH	RH

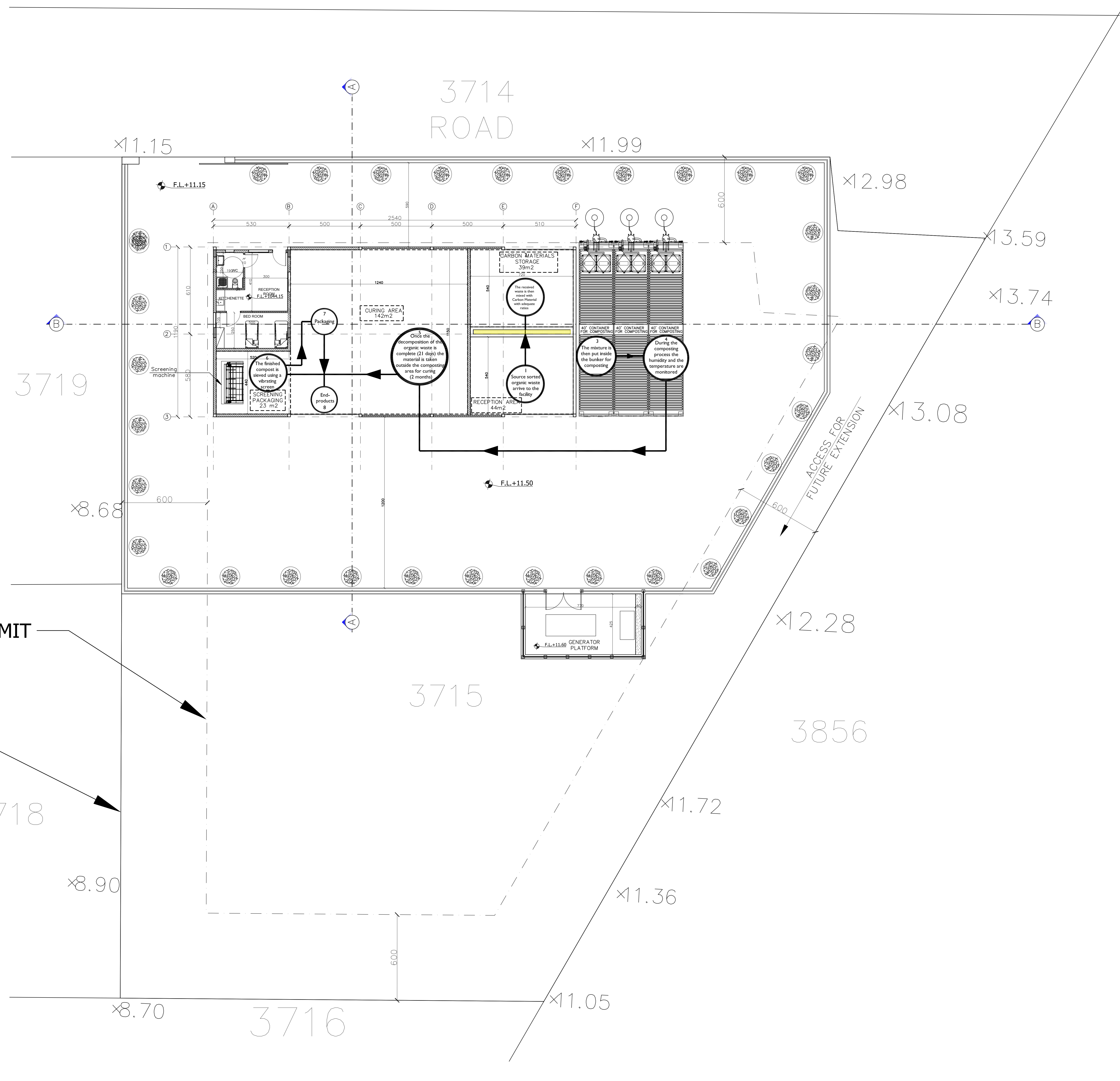
LOT:
ANFEH 3715

Project Name
COMPOSTING STATION ANFEH

DRAWING TITLE:
INDUSTRIAL PRODUCTION LINE

DRAWING NUMBER
A07

SCALE : 1/100 DATE : 12/05/2023



SET-BACK LIMIT

LAND LIMIT