

Note:
Reinforced concrete:
Concrete grade C30 for all structure (350kg/m³)
Reinforcement:
Deformed high strength steel bars
Yield stress: $F_y=420\text{N/mm}^2$

Drawing Title :

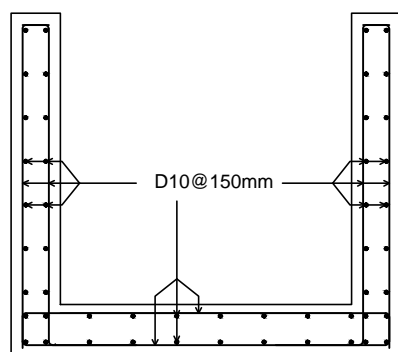
Concrete Canal U-shape Section and Reinforcement Details for Daniyeh Project

1 of 1

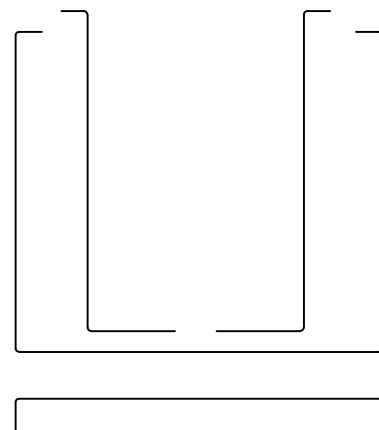
Lebanese Relief Council



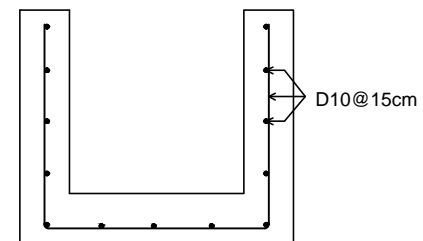
REINFORCEMENT DETAILS



Steel Bars



REINFORCEMENT DETAILS



Steel Bars

