

- The dimensions of lavatories should comply with the minimum requirements (fig. 9).

- The height of a wash basin should be between 0.80 m and 0.85 m above the finished floor level. A 70 cm free space under the wash basis should be respected.

- The distance between the centre line of the wash-basin and the adjacent side wall should at least be 0.45 m.

- The wash-basin may be drawn forward from the wall a distance between 0.15 m and 0.20 m.

- No shelves must be located above the wash-basin.

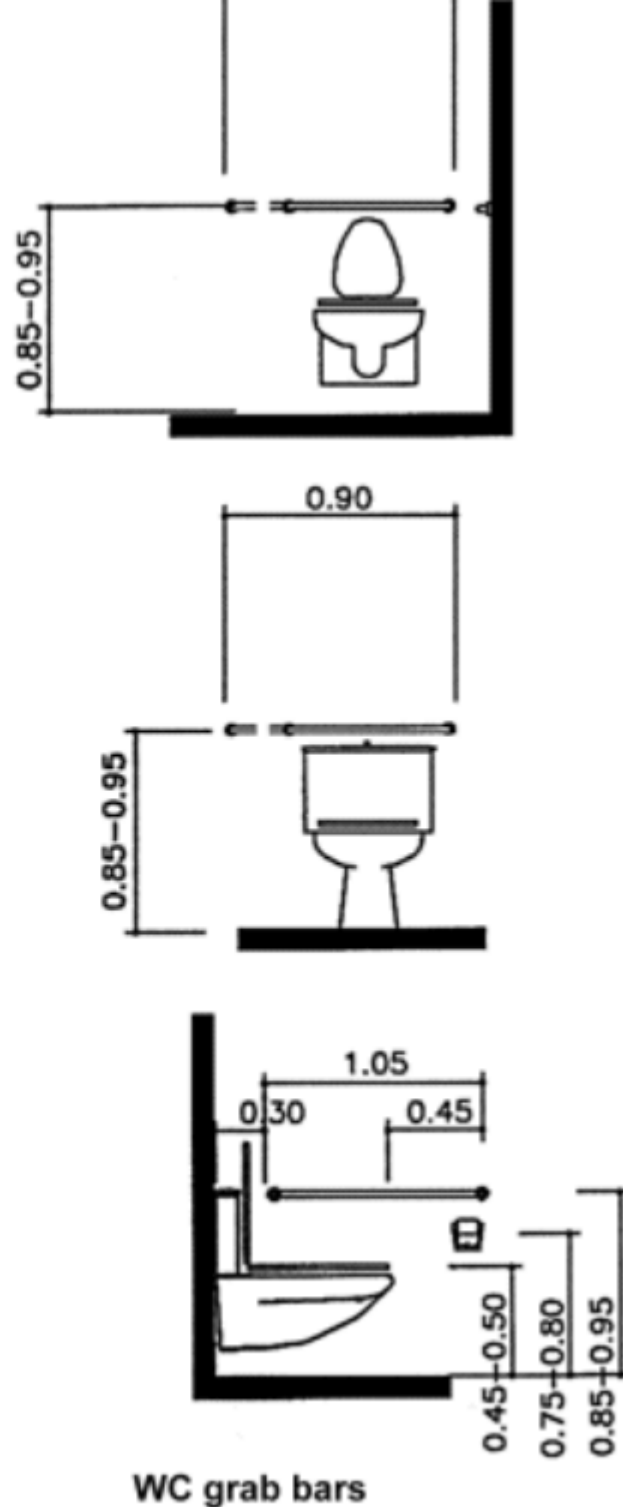
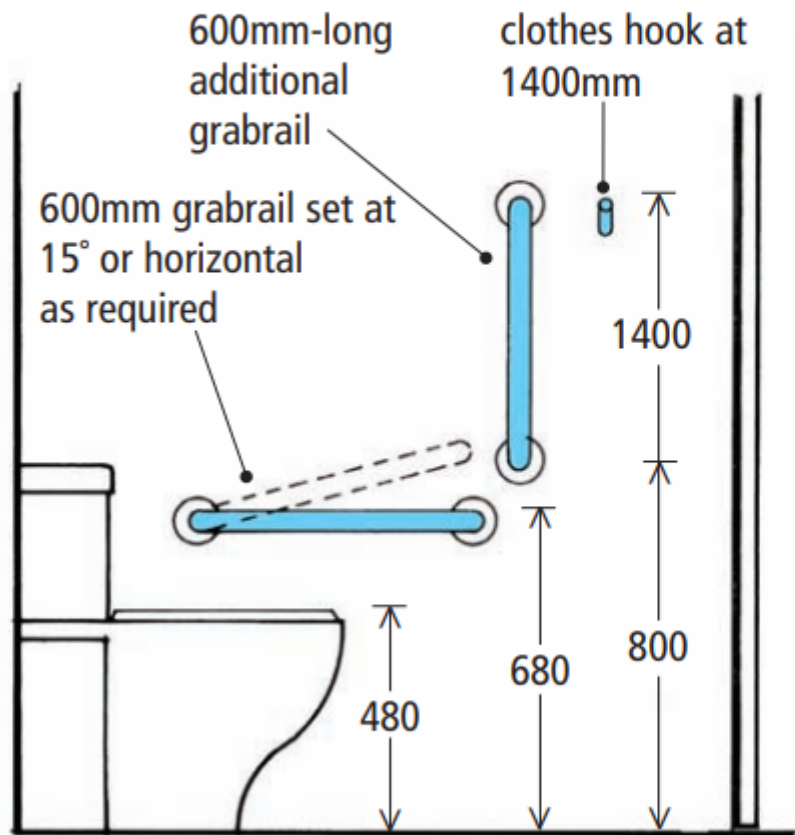
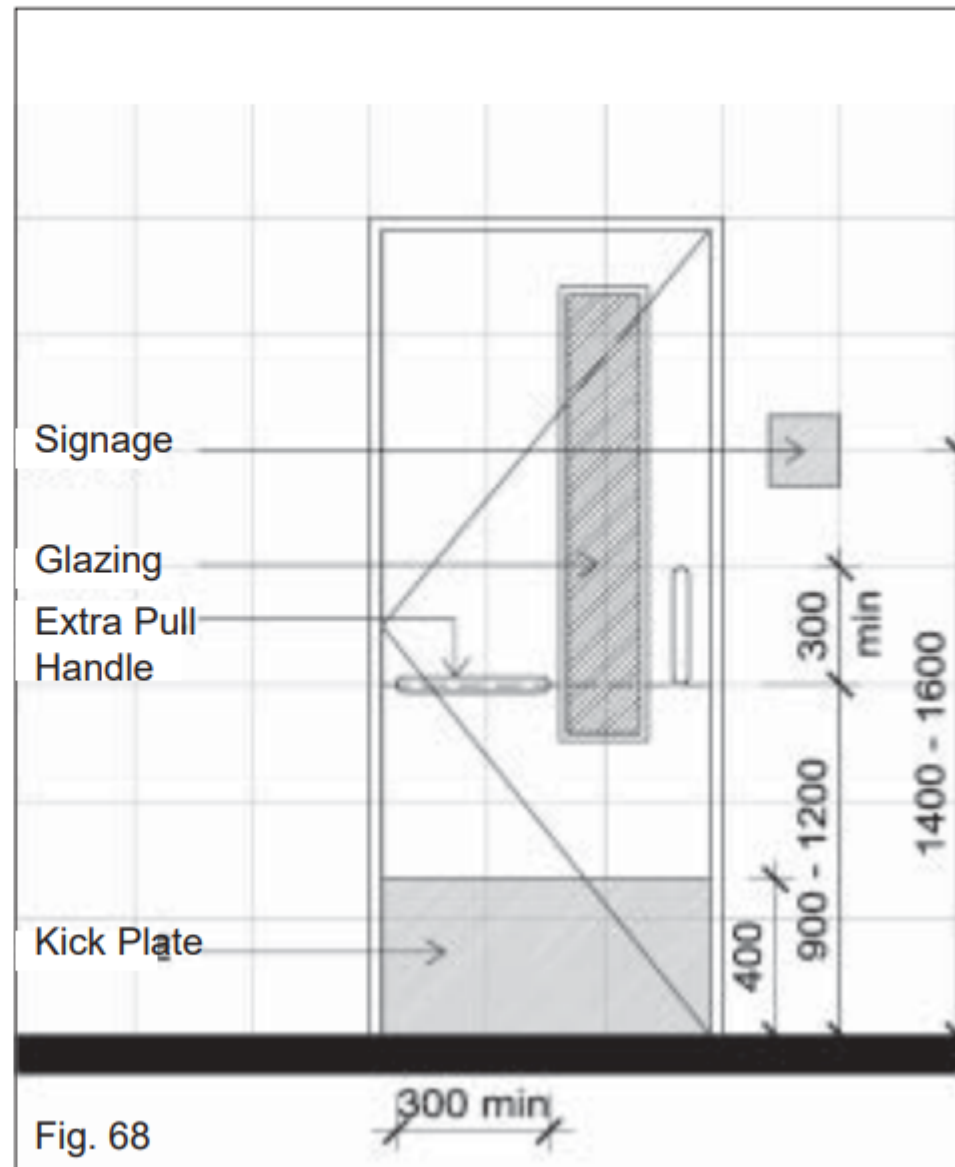
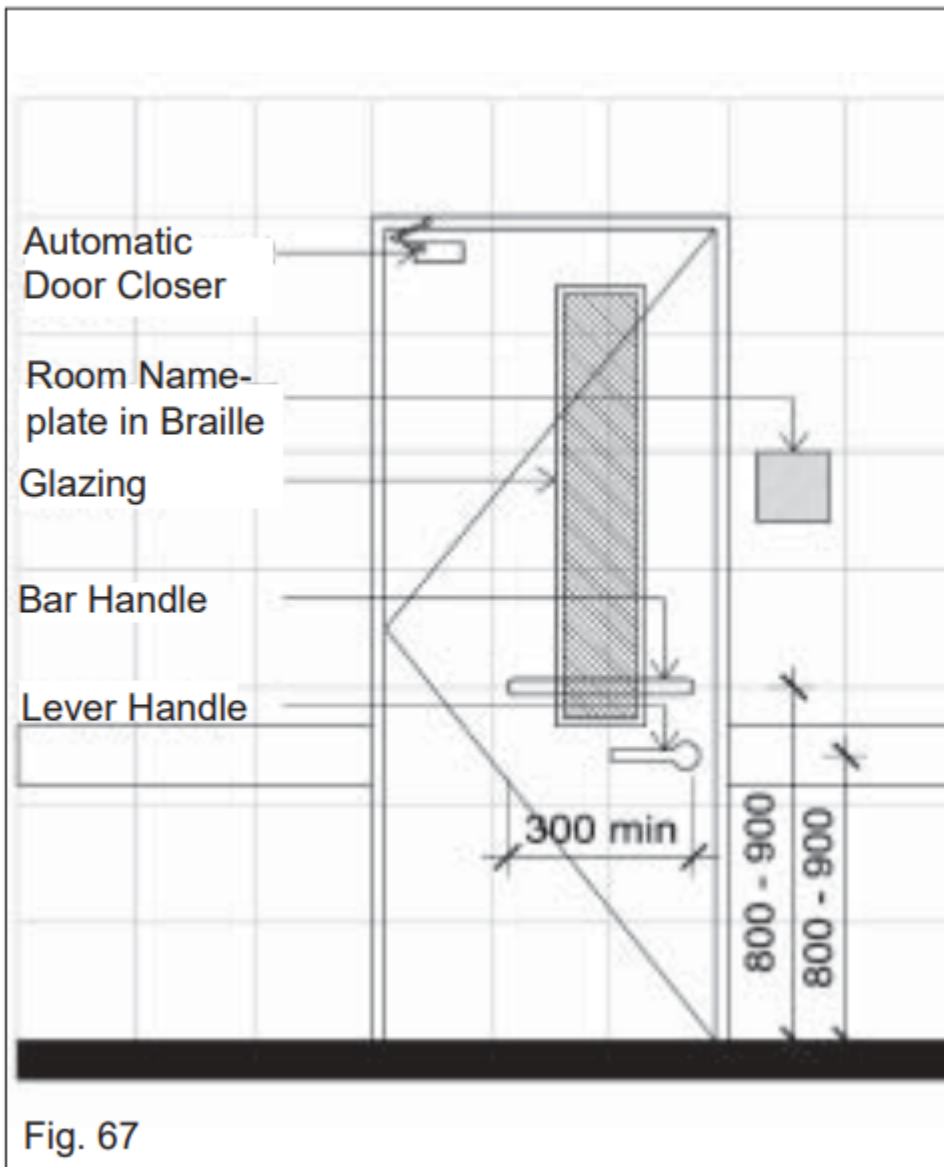
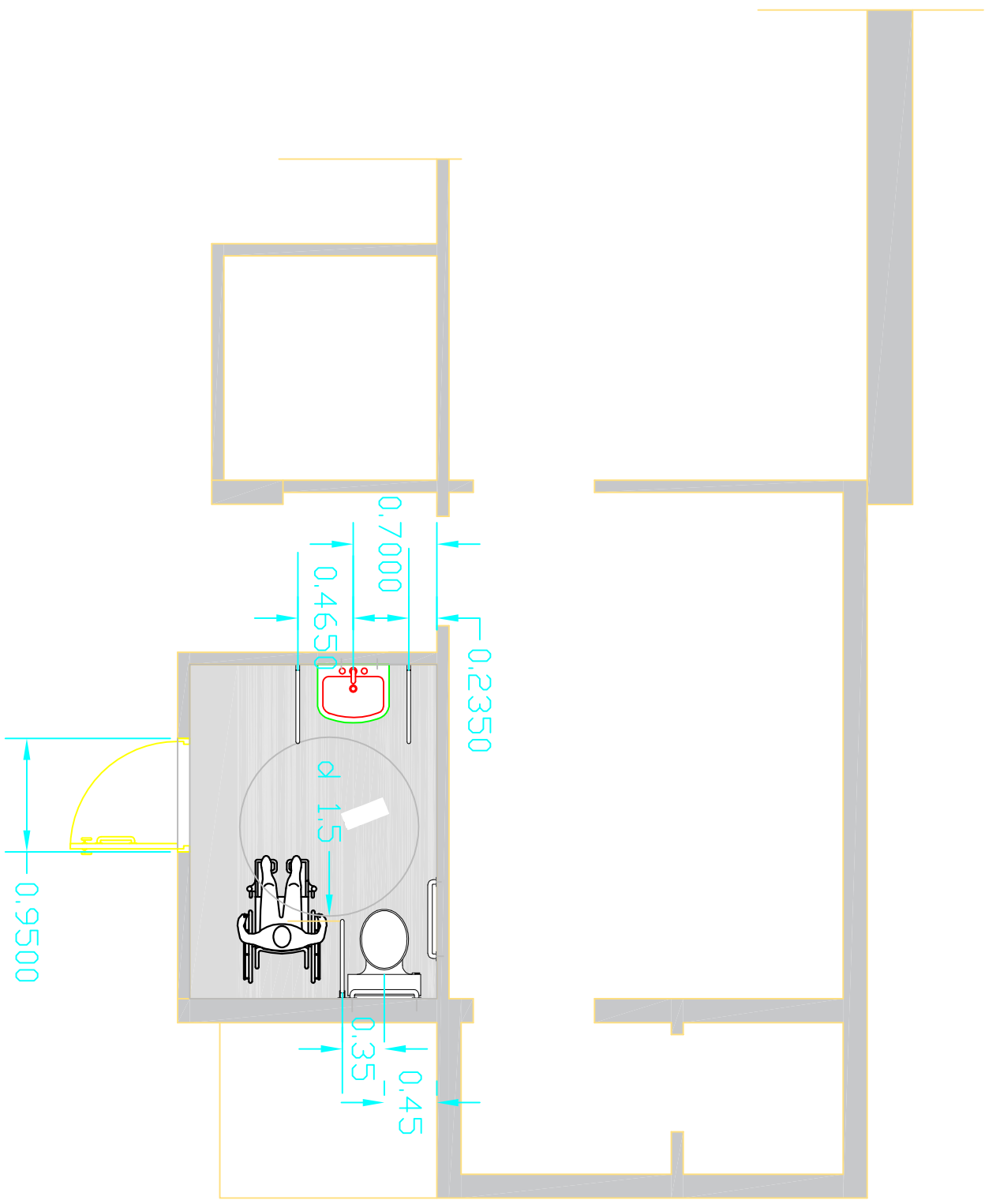


Fig. 8

Figure 35
WC layout for
ambulant disabled
people







NOTES

- THESE DRAWINGS ARE NOT TO BE SCALED.
 ONLY WRITTEN DIMENSIONS AND NOTES APPLY.
 ANY DISCREPANCIES MUST BE REPORTED TO THE ARCHITECT.
- 1- A Fixed grab bar must be placed next to the toilet and bidet with the following dimensions:
 - * Diameter: 30 to 40 mm.
 - * Distance from the wall: 35 to 45 mm.
 - * Height from the bathroom floor: 85 to 95 mm.
 - 2- No obstacles should be placed in front of the door, and the threshold should not exceed a height of 2 cm.
 - 3- The door opening should be more than 0.75 m and it is preferable for it to open outward.
 - 4- The floor should be non-slip.
 - 5- Signage must be placed.
 - 6- An alarm bell must be present.

REV	REVISION TEXT	APPR.	REV.	DATE
-----	---------------	-------	------	------

SPACE STUDIO

BACHAR-ASAMAD
 ARCHITECT&URBANIST

BADARO BUILDING, BADARO STREET, BEIRUT, LEBANON POSTAL CODE:.....
 PHONE (961) 1 3887957 / (961) 3 2348387 / E-mail: ezahmad@onmail.com

PROJECT NUMBER: LE072339BC
 INMAA
 MARJ-BEKAA

TITLE
 W.C-PLAN.

SCALE:	MODIFICATION	SHEET
1/50		A1.1
PHASE: 8/6/2023	DRAWN BY:	1 OF 1
FILE : WC INMAA	CHECKED BY: <i>BACHAR</i>	
MODIFIED: 6 August 2023	APPROVED BY: <i>BACHAR</i>	

THESE DRAWINGS AND THE DESIGNS INCORPORATED HEREIN ARE NOT TO BE REPRODUCED WITHOUT THE PERMISSION OF THE ARCHITECT. THEY ARE TO BE USED ON THIS PROJECT ONLY. ANY OTHER USE WITHOUT THE WRITTEN PERMISSION OF THE ARCHITECT, IS STRICTLY PROHIBITED.





Send