
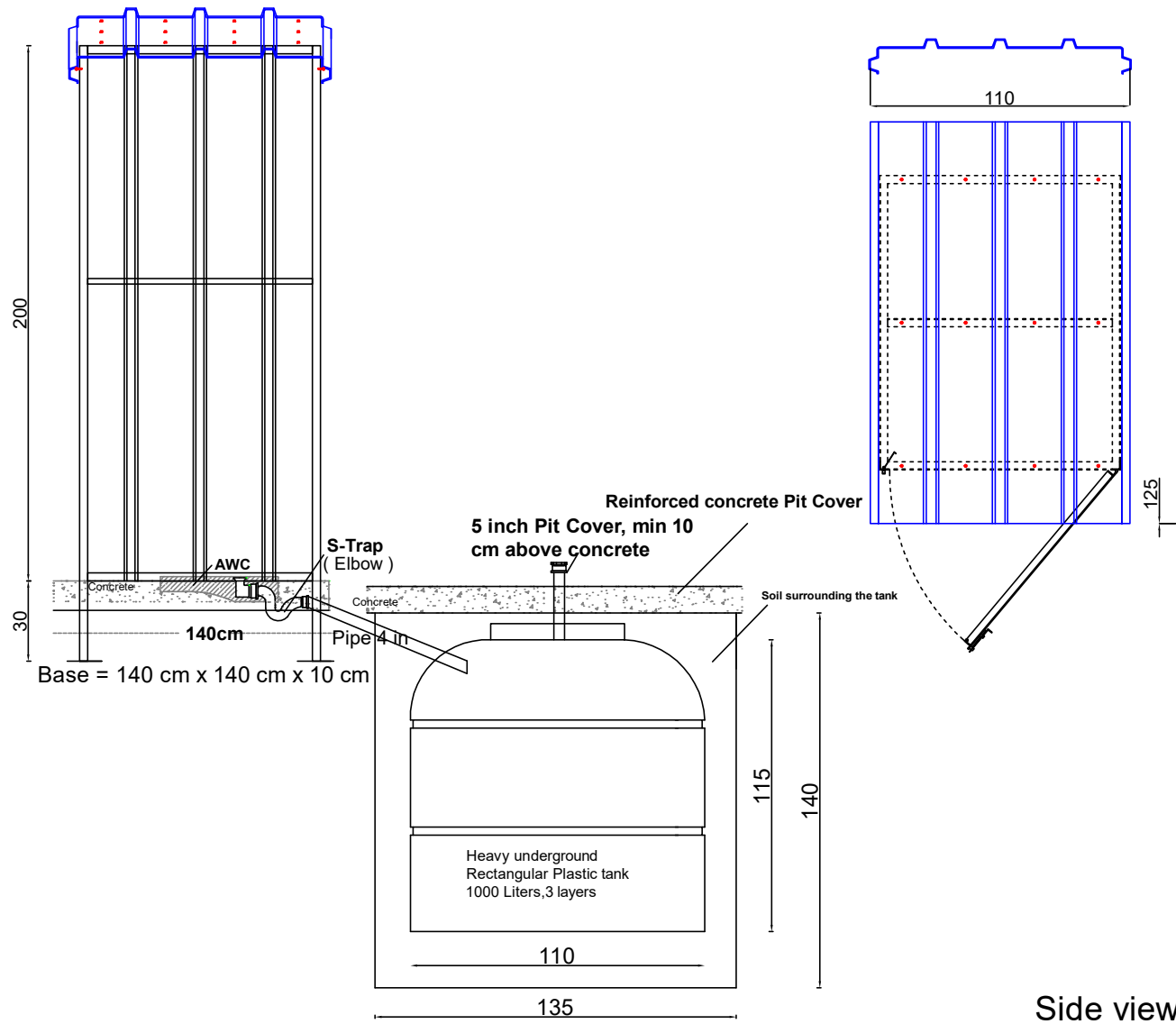


| | | | |
|---|--|-------------------------------|--|
|  | Humanitarian Response and Assistance for People Affected by the Syrian Crisis | | All units are in centimeters / not to scale |
| | WASH Team | Normal Latrine Drawing | Annex 5 |



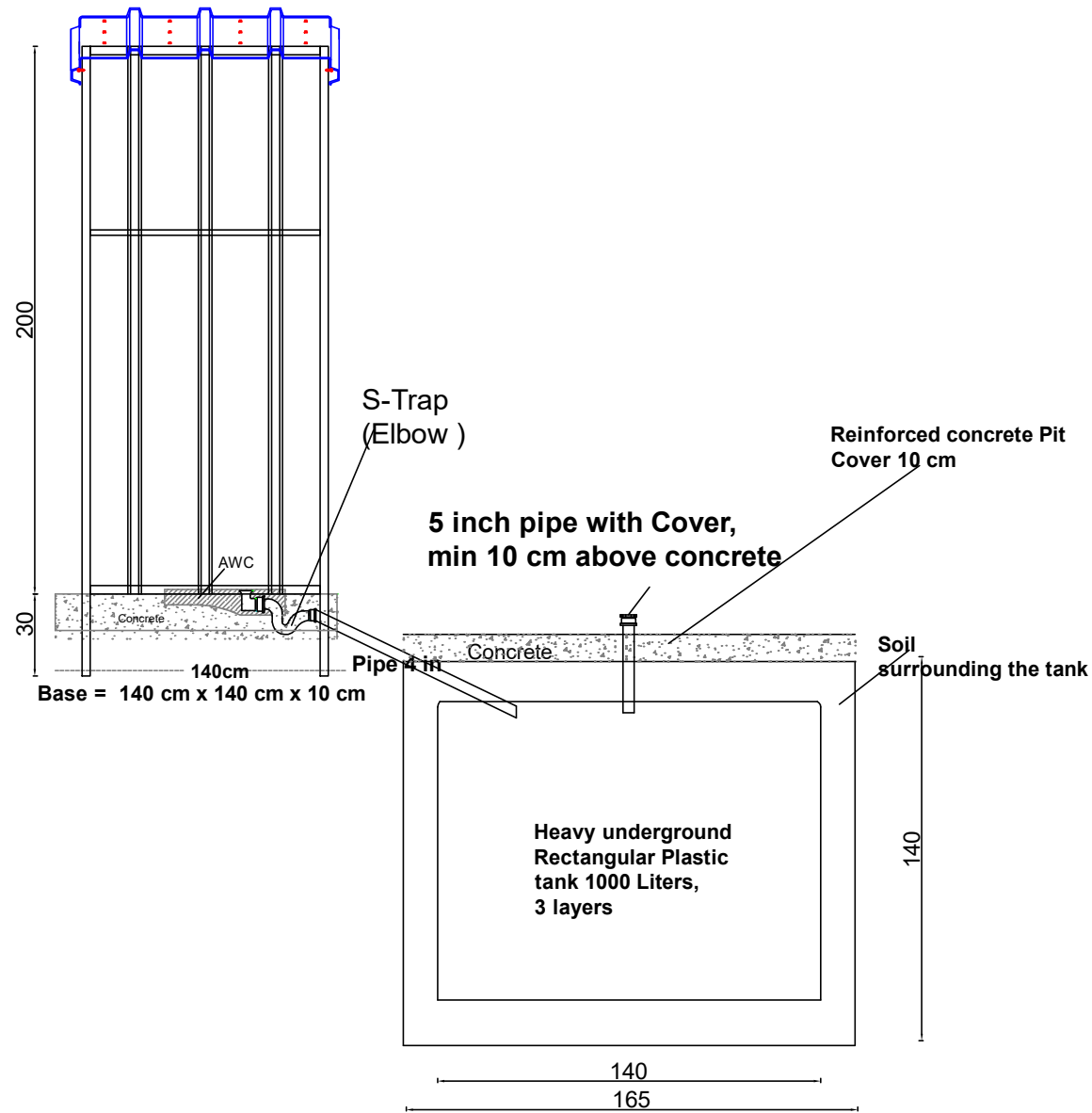
Humanitarian Response and Assistance for People Affected by the Syrian Crisis

WASH Team


Normal Latrine Drawing

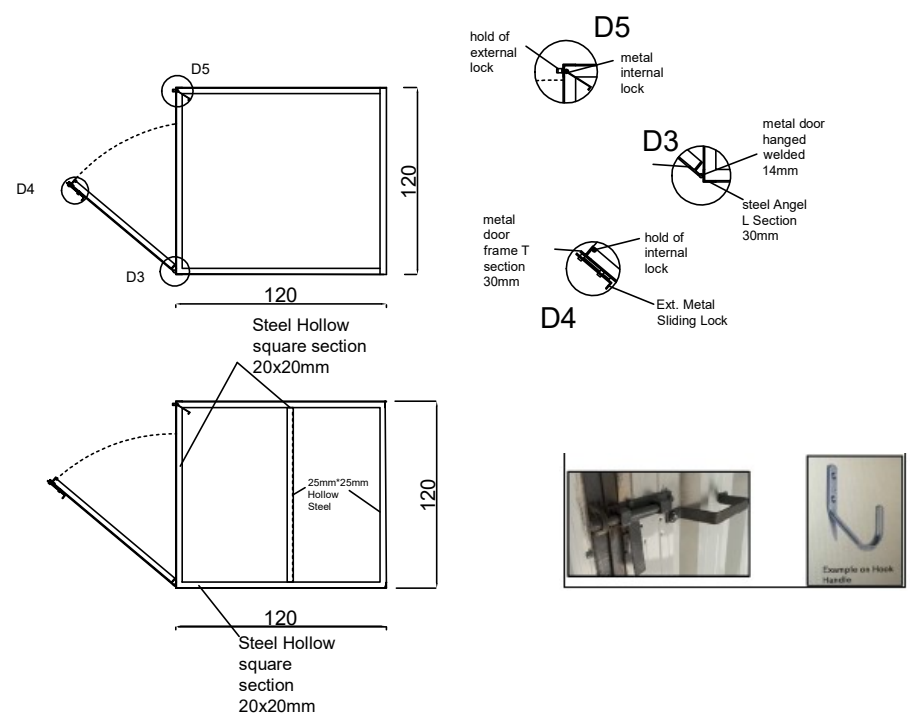
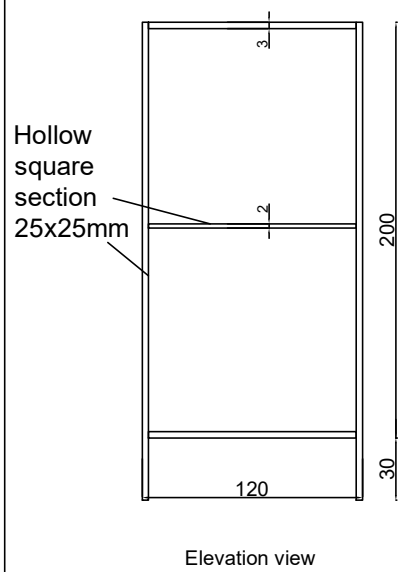
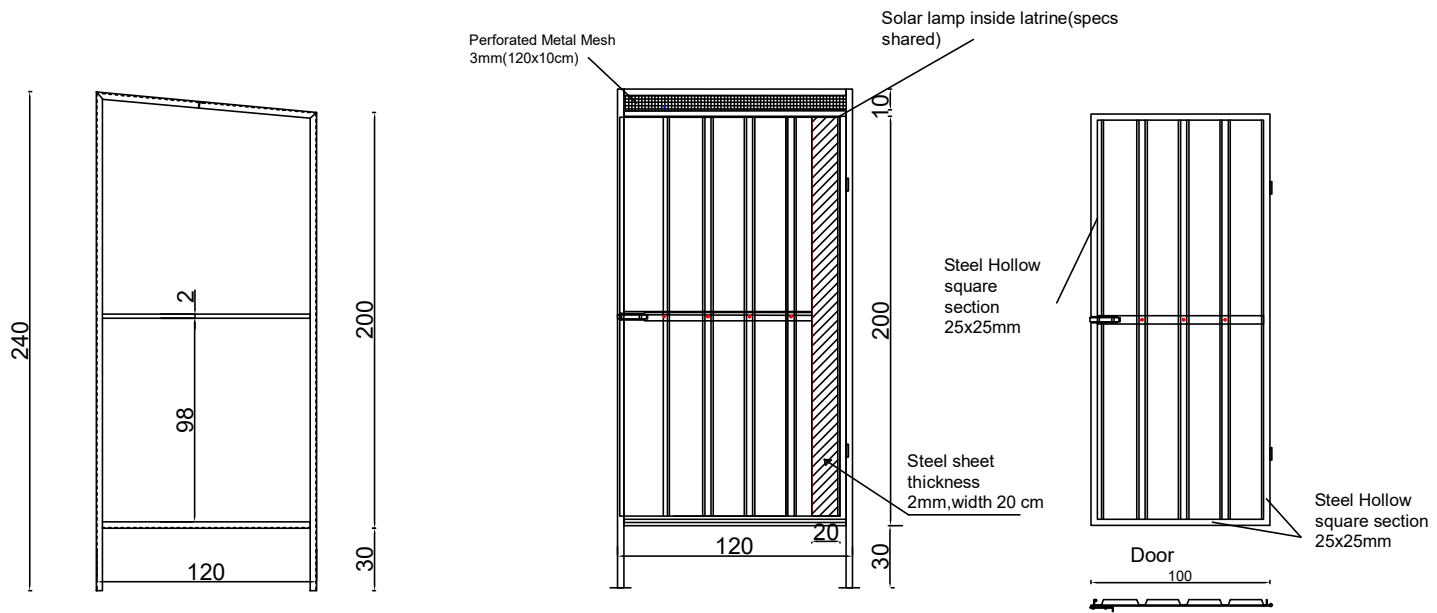
All units are in centimeters /not to scale

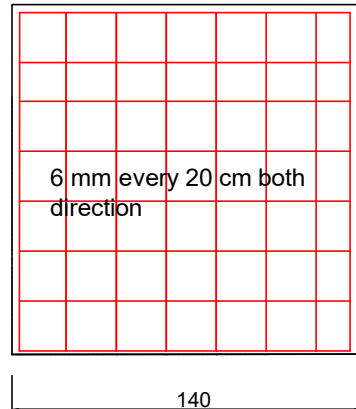
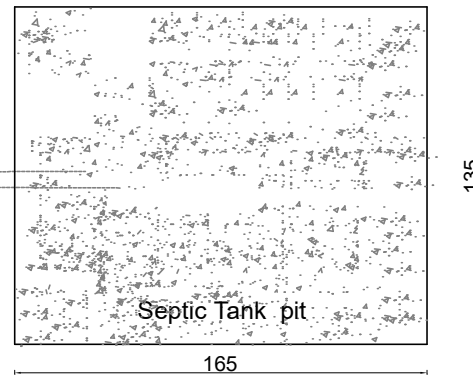
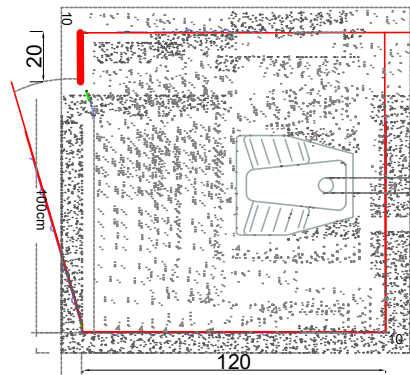
Annex 1



Elevation view

| | | | |
|---|--|--------------------|--|
|  | Humanitarian Response and Assistance for People Affected by the Syrian Crisis | | All units are in centimeters /not to scale |
| | WASH Team | Normal Latrine Dwg | |

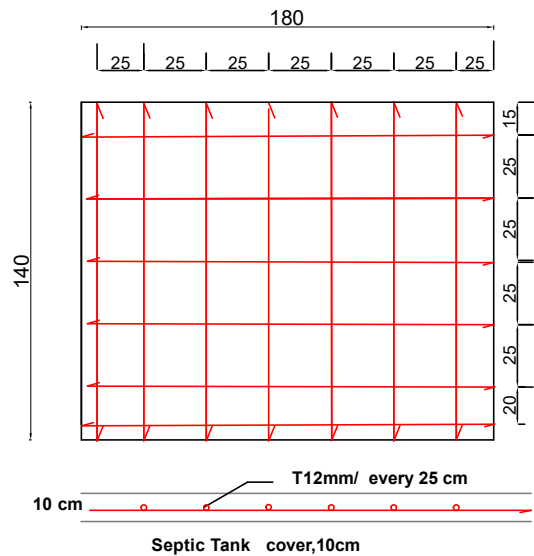




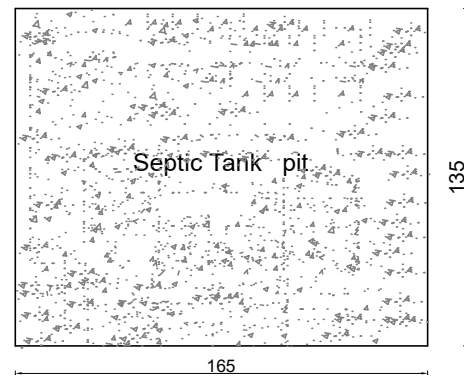
LATRINE

Concrete Base for the latrine

Pan view



Concrete Base for the pit



PLAN



Humanitarian Response and Assistance for People Affected by the Syrian Crisis

All units are in centimeters /not to scale

WASH Team

Normal Latrine Drawing

Annex 4