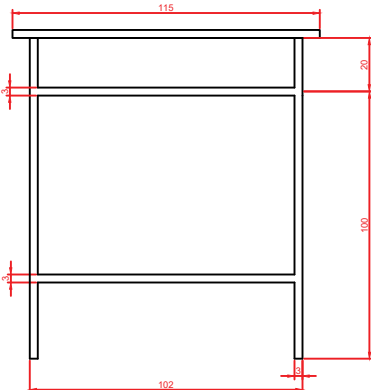
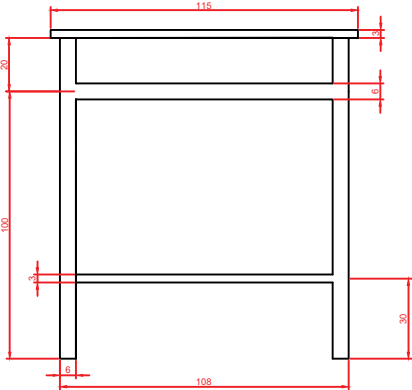
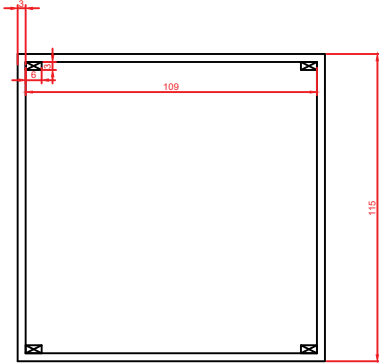


Thickness 3mm

Side Section



Top view



At elevation
100 from the
bottom

