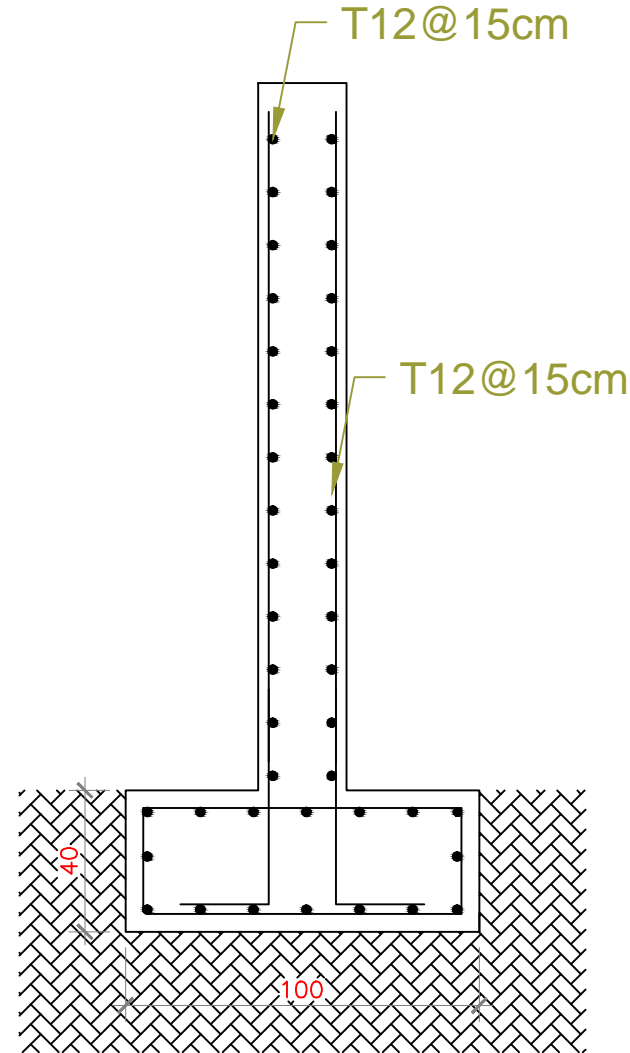


General Section



Reinforced concrete section detail

REPUBLIC OF LEBANON

CLIENT:



DESIGNER:

Eng Mohammad Alsaleh

Legend:

Municipality of Wadi khaled

Rev.	Date	Dagn	Drawn	Chk'd	Appr'd
	4-MARS-2019	BBA	NMD	BBA	BBA

Project:

Nabee Al Safa

Drawing:

retaining wall

DATE	SCALE	SHEET NO.	PAPER SIZE
MARS 2019	1/2000	4/4	A2